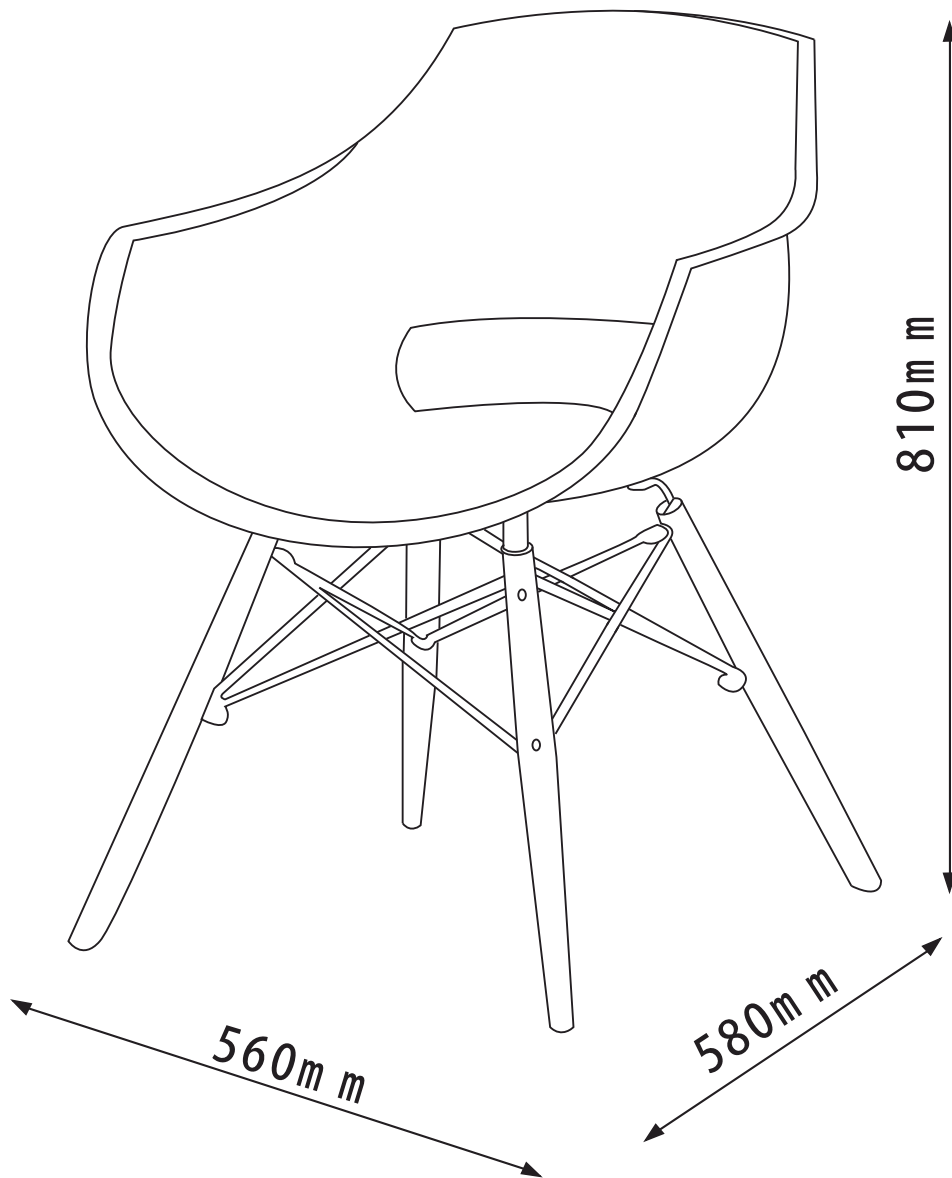


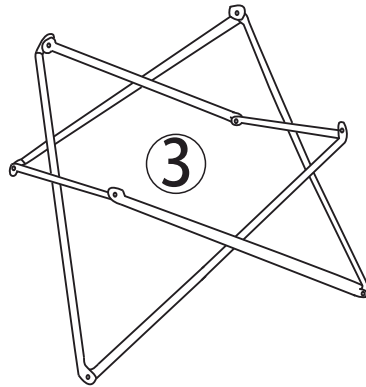
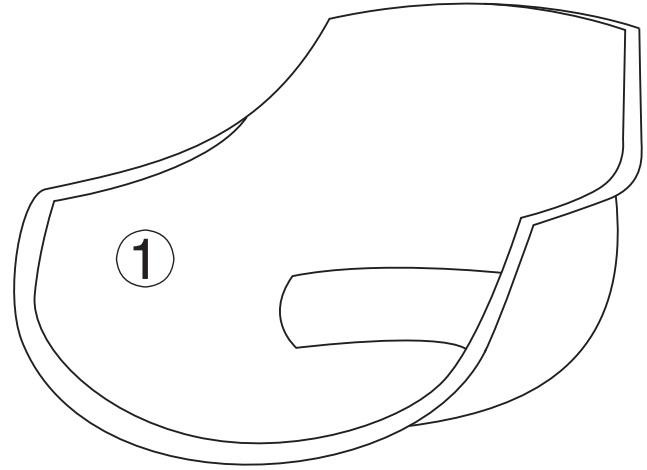
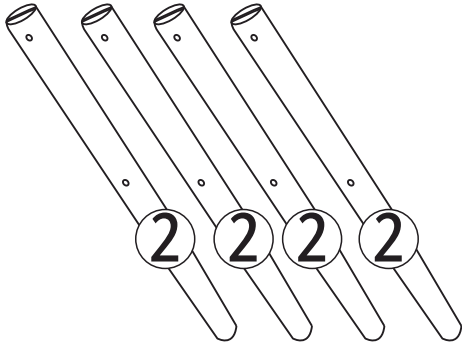
# Jazz















"20" min



**126-15**



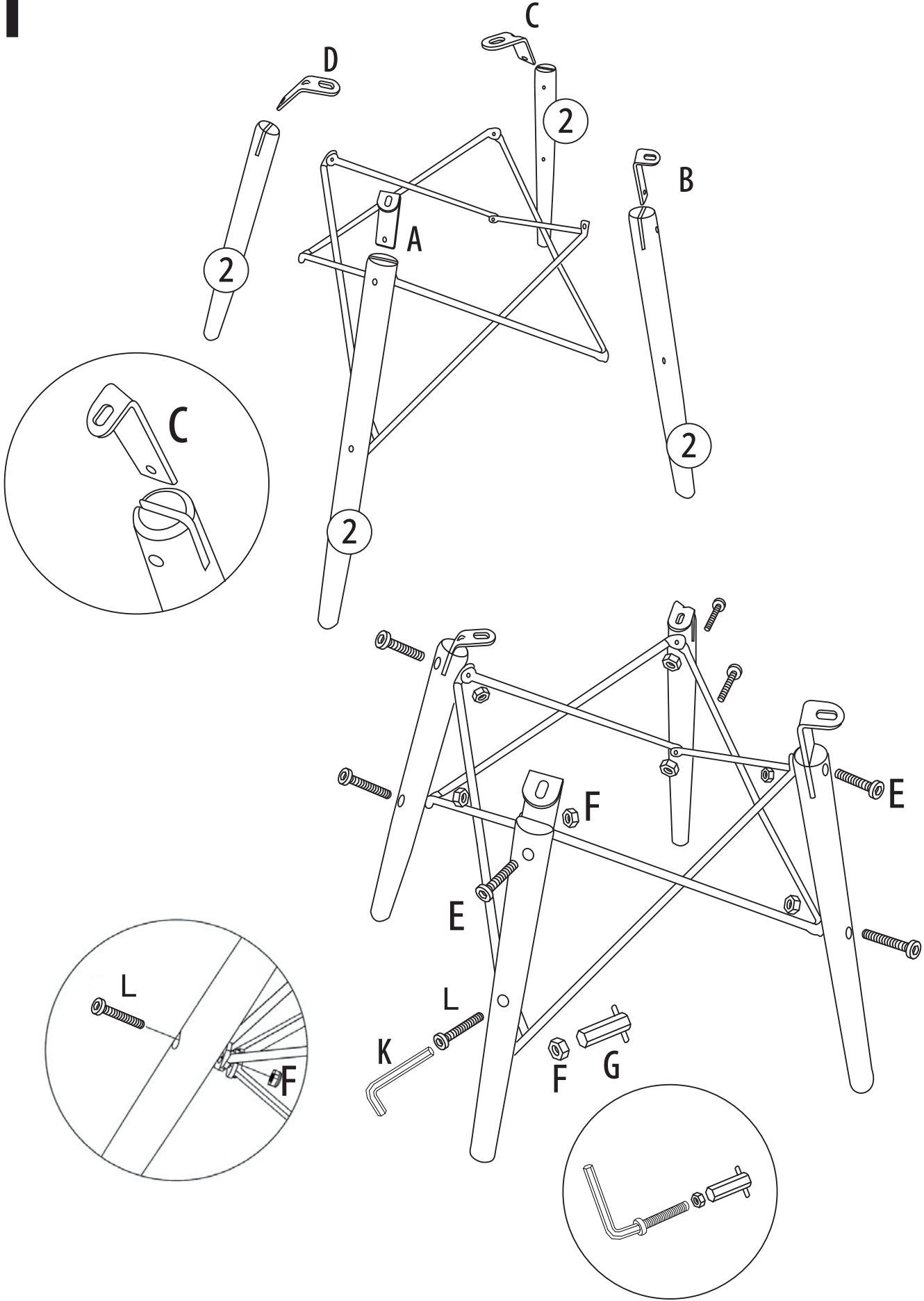
①	1	580x565x427m m	
②	4	435x296m m	
③	1	340x340x170m m	

A	B	C	D	E
				
Ax1	Bx1	Cx1	Dx1	M 6x32m m Ex4
F	G	H	I	J
				
M 6 Fx8	6m m Gx1	M 6x14m m Hx4	Ix8	M 6x16m m Jx4
K	L			
				
4m m Kx1	M 6x35m m Lx4			

**126-15**

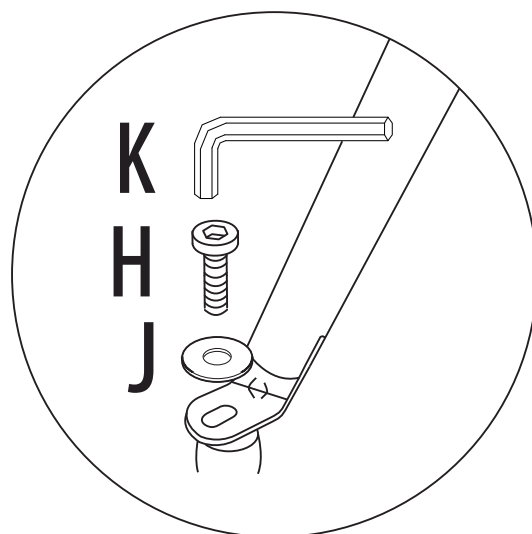
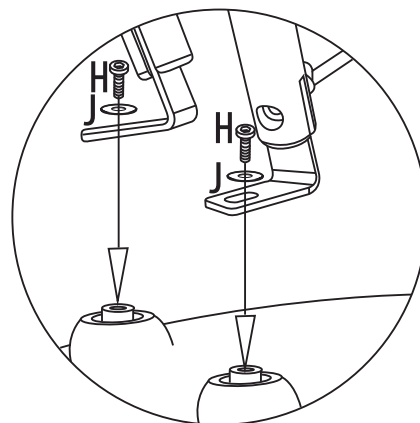
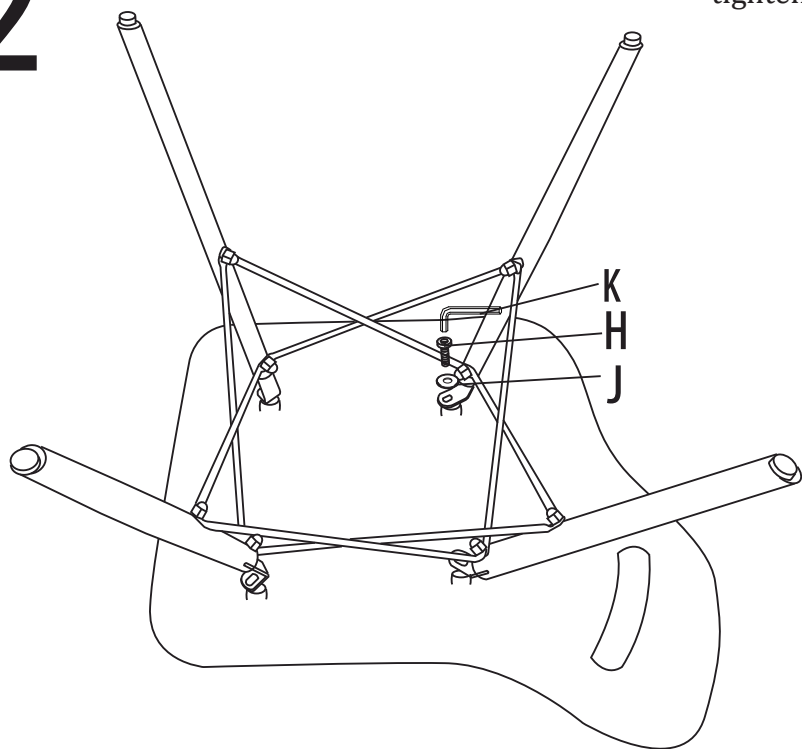
# 1

Screws are not to be firmly tightened until chair is completely assembled.



# 2

Screw H must not be tightened to hard(90%)



# 3

