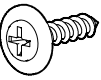
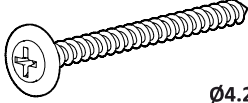
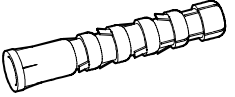
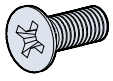


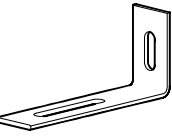

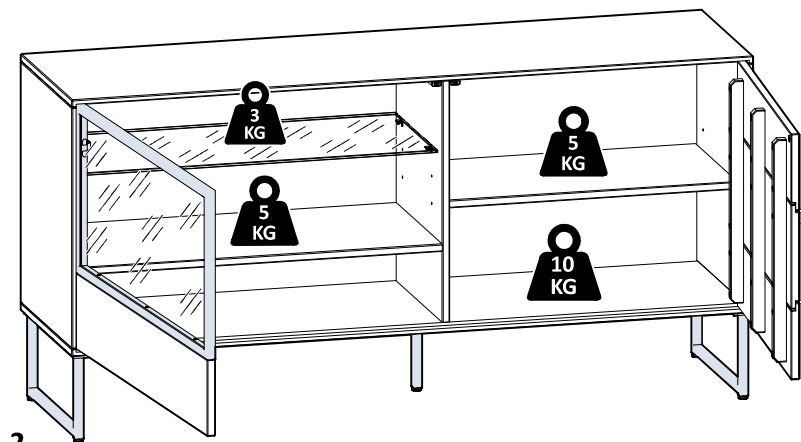
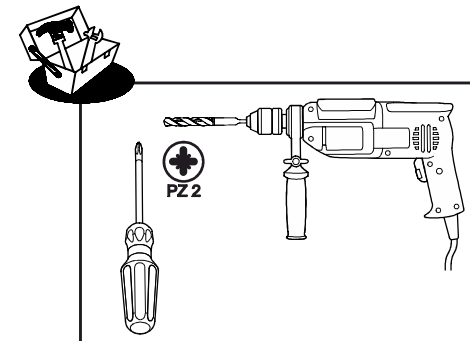
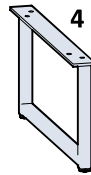
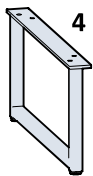
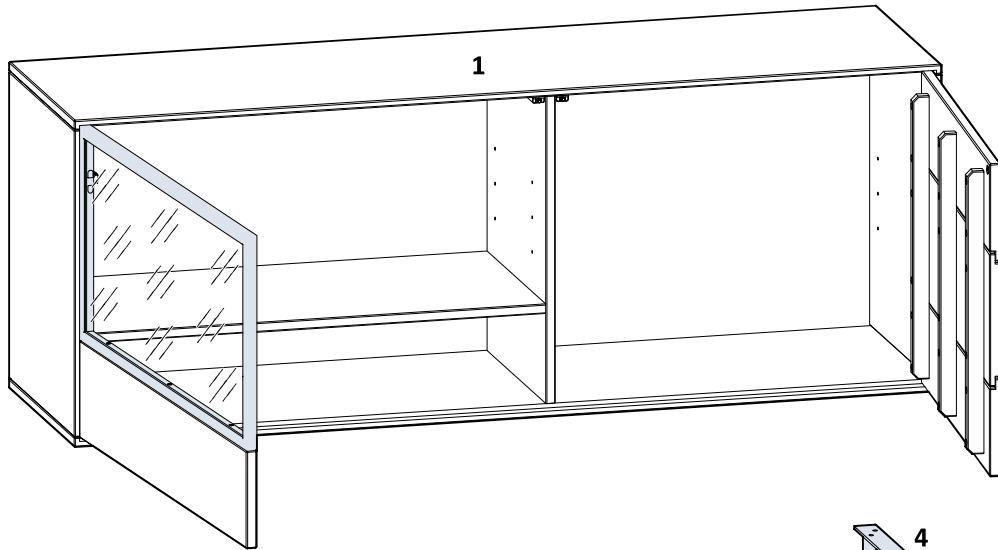
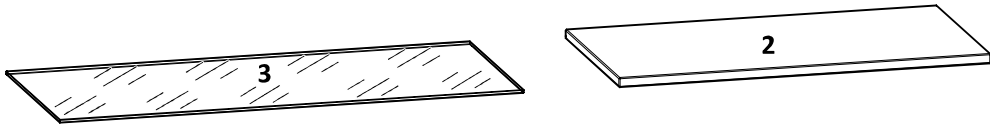



A.20 x1	A.25 x1	A.28 x1
 Ø4.2x16	 Ø4.2x51	 Ø8x50
E.58 x10	B.23 x4	B.24 x4
 M6x16		
F.1 x1	G.3 x1	
	 Ø20	



1

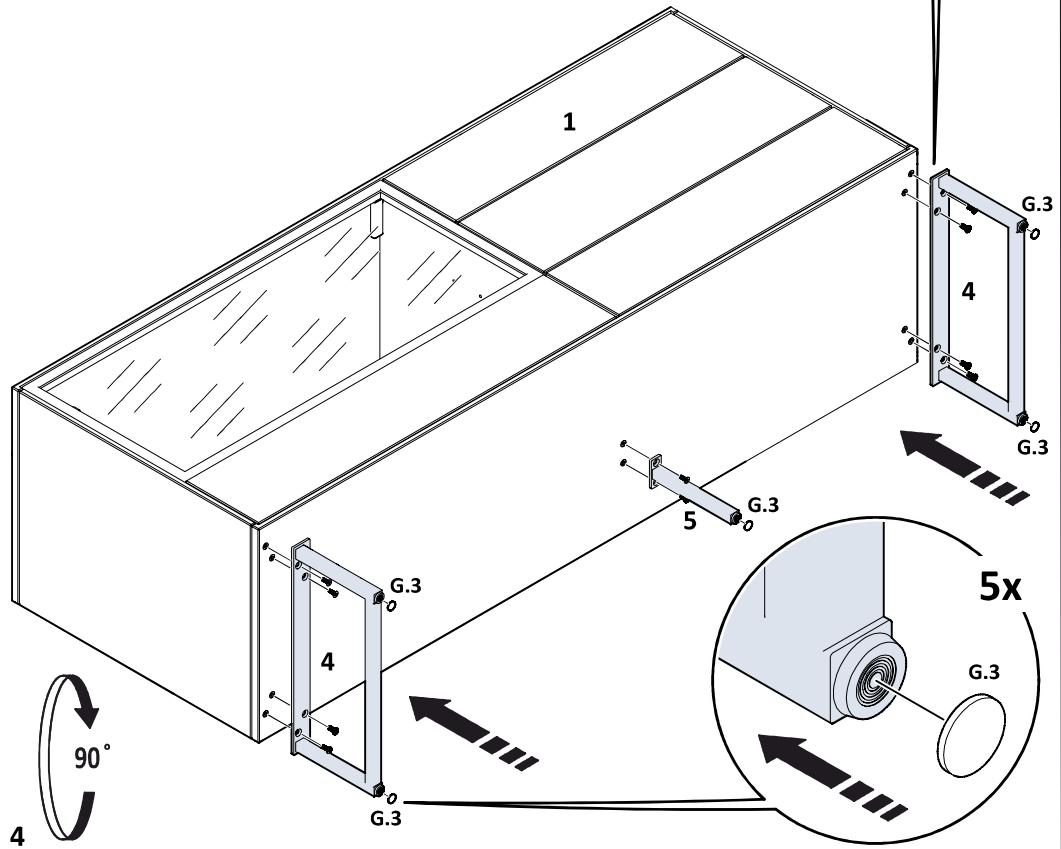
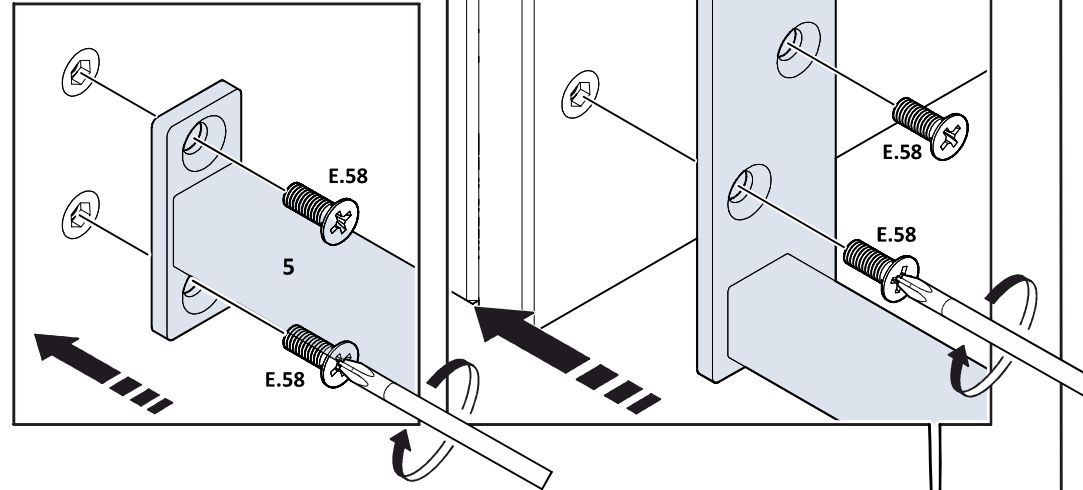
2



Nº		Sizes	Coll
1	x1	1600x600x450	1,1
2	x1	686x370x18	1,1
3	x1	856x370x6	1,1
4	x2	435x195x40	1,1
5	x1	195x60x24	1,1
			1,1

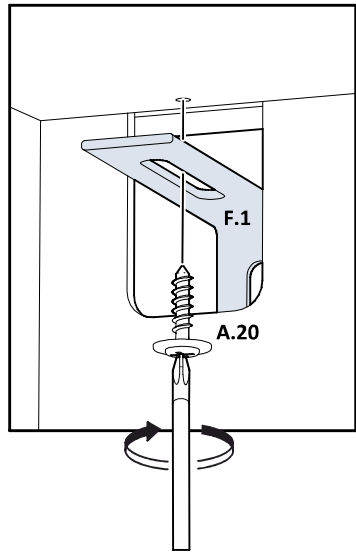
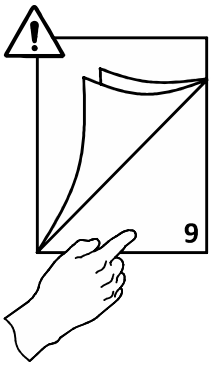
3

1

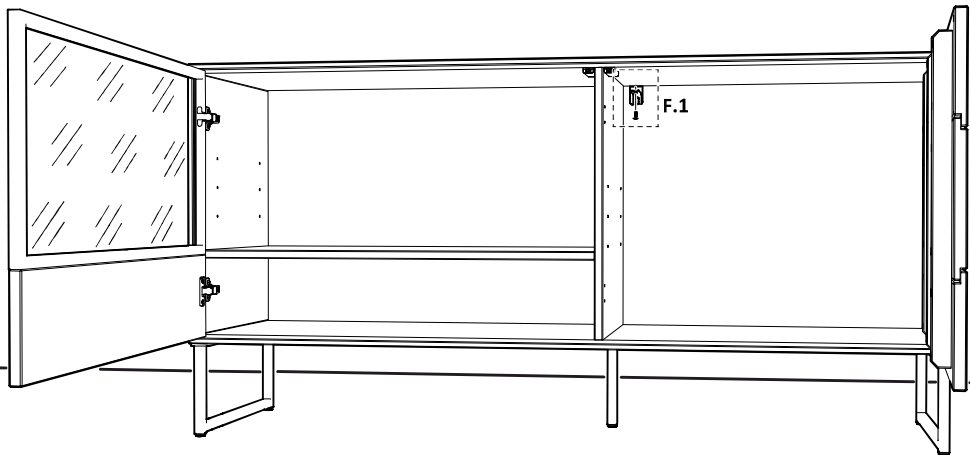
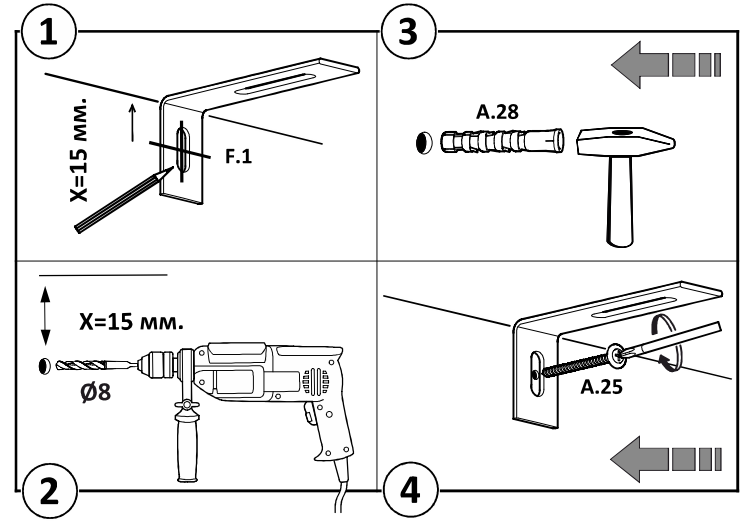


4

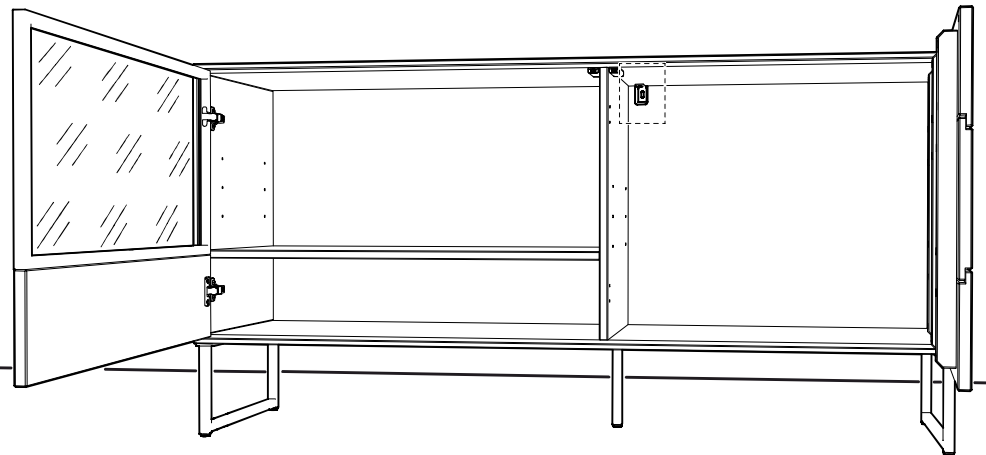
2



3

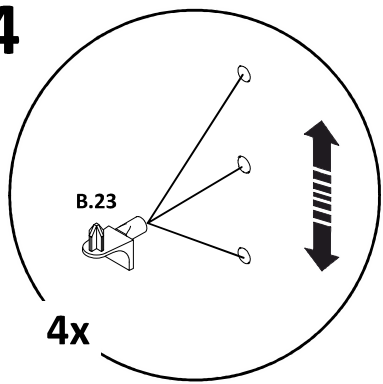


5

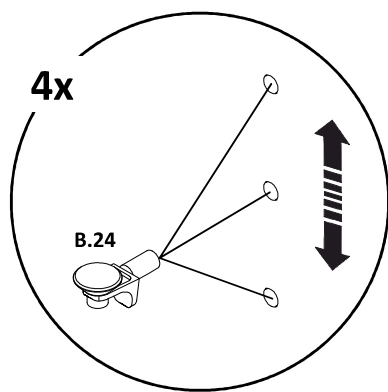


6

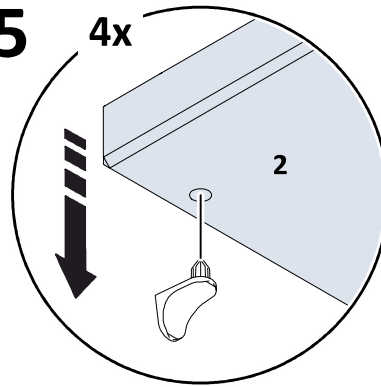
4



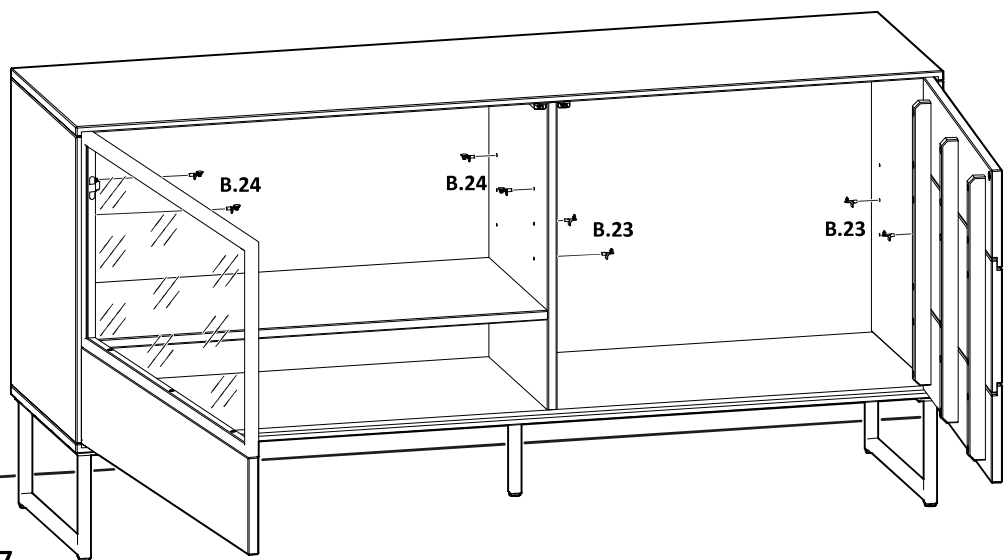
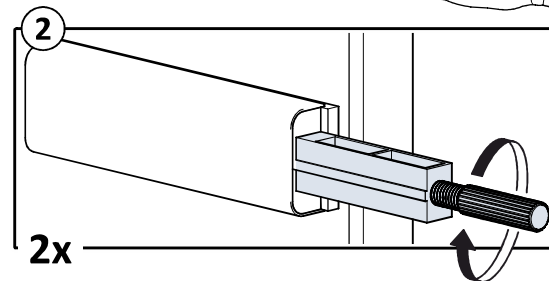
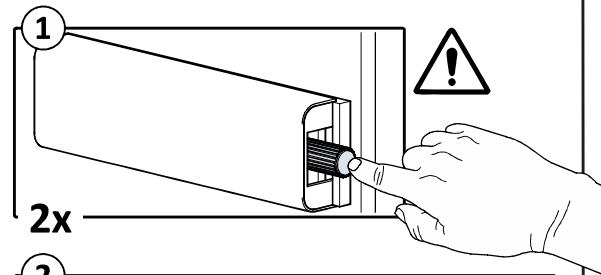
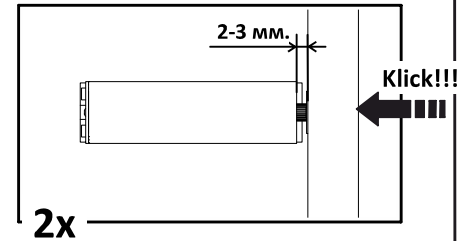
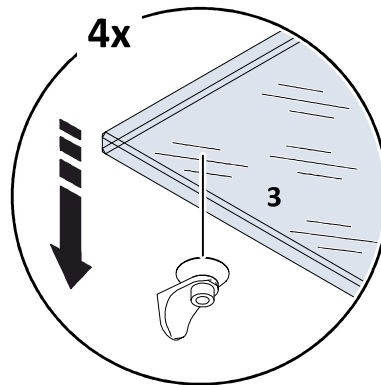
4x



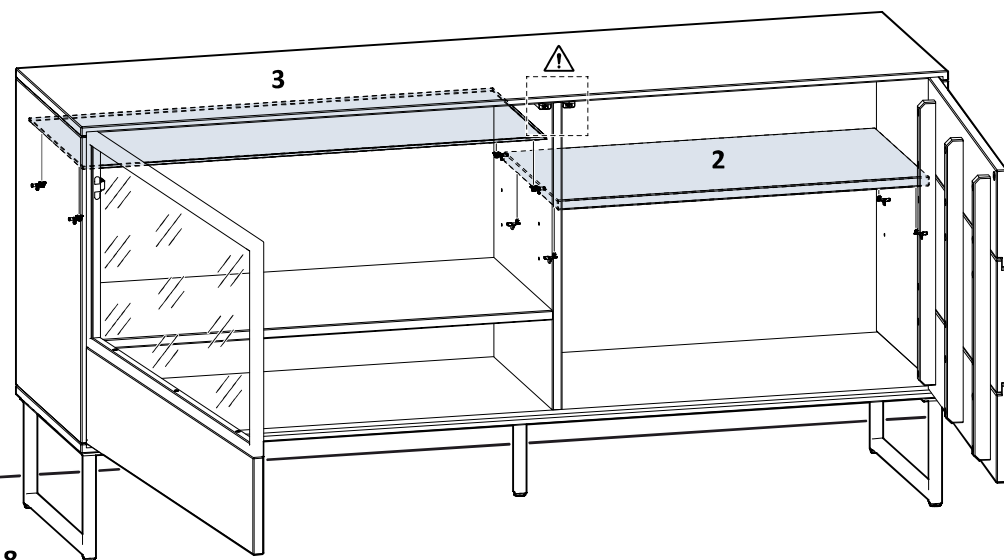
5



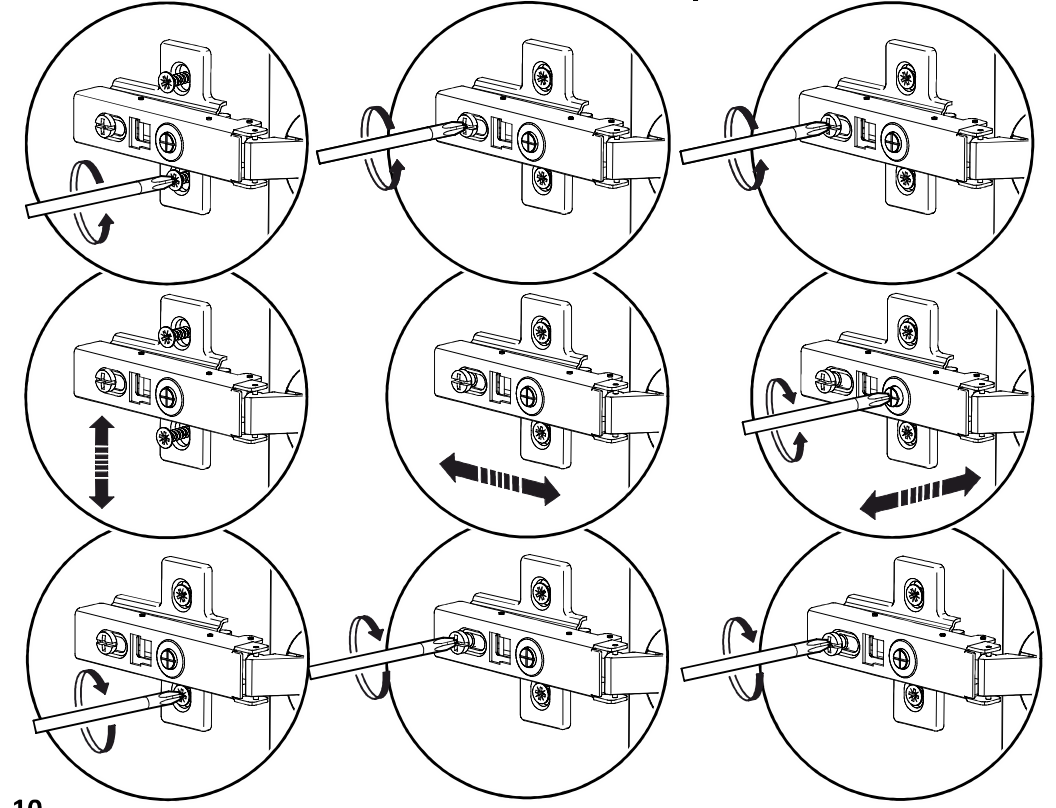
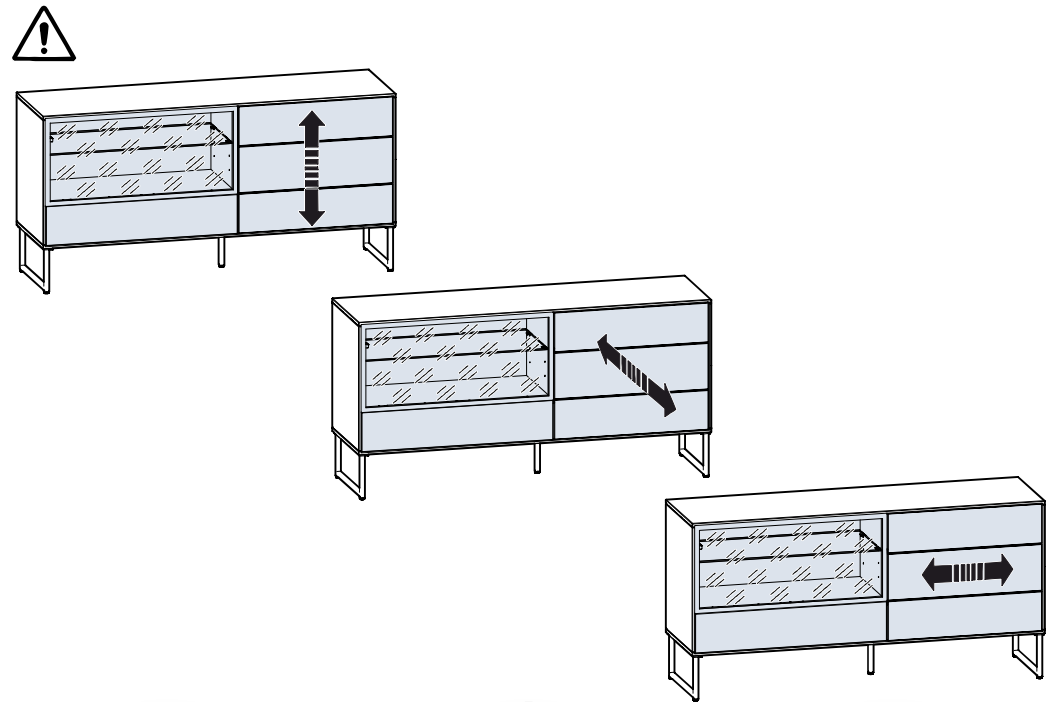
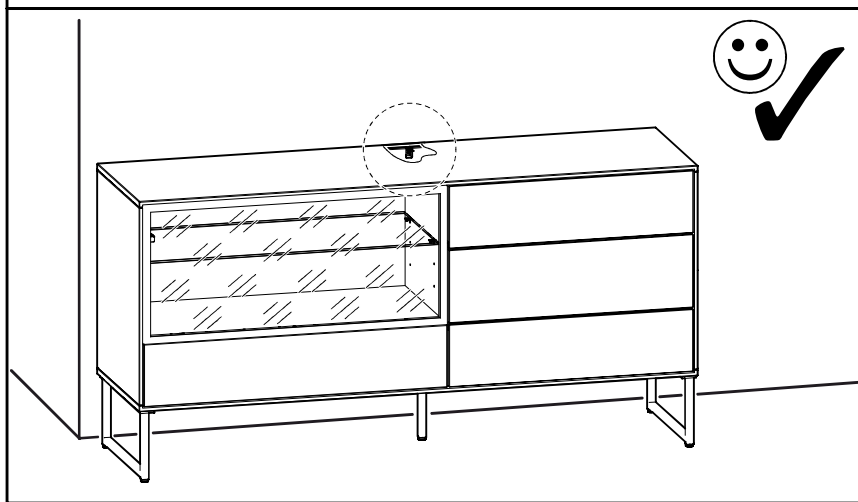
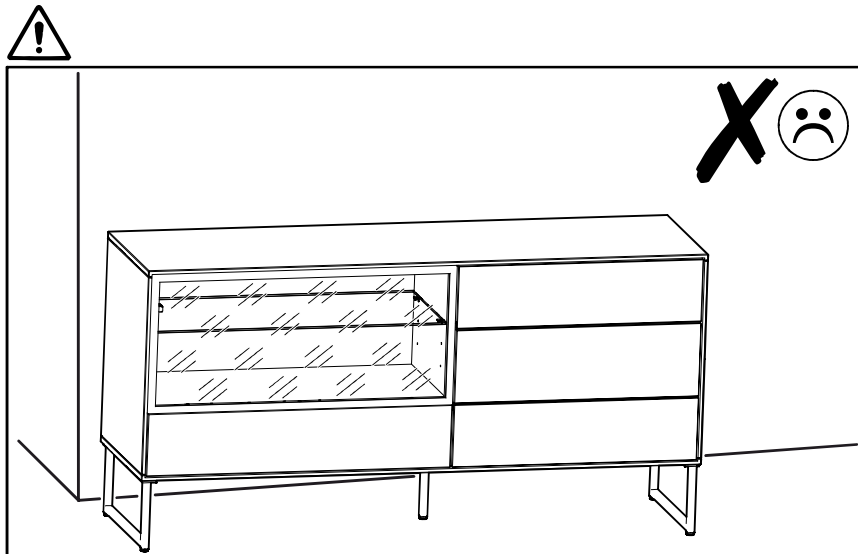
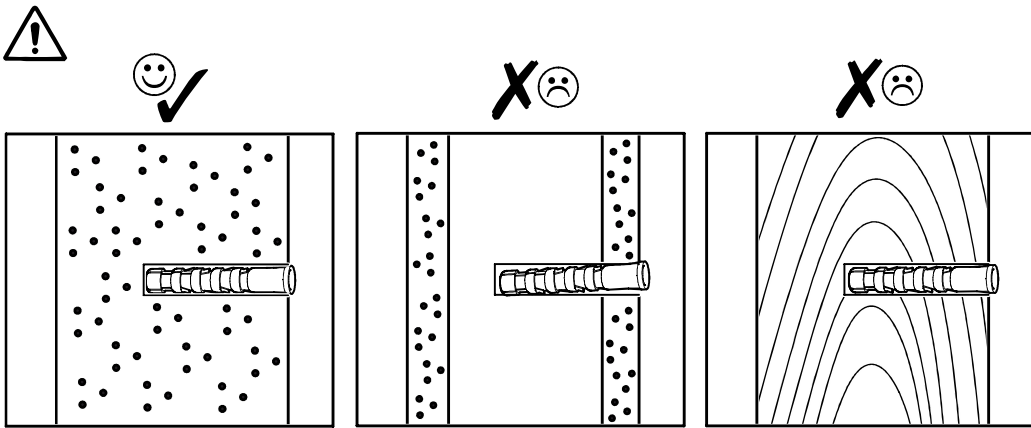
4x

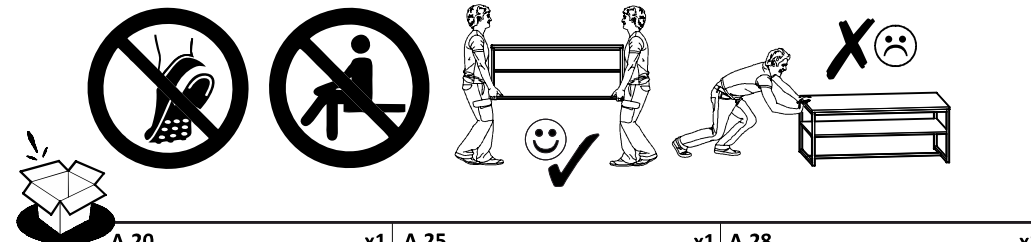
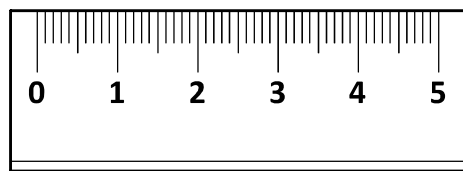
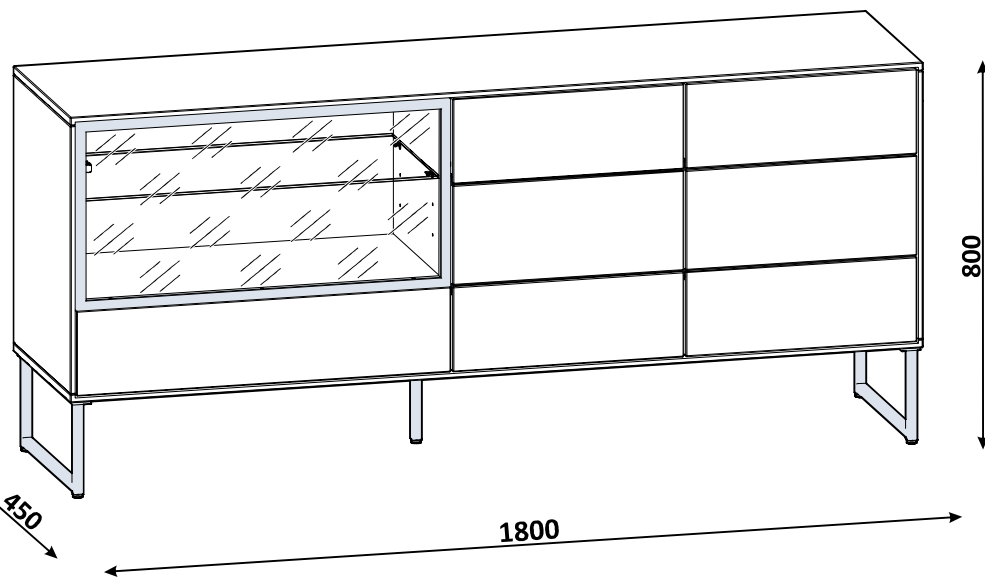
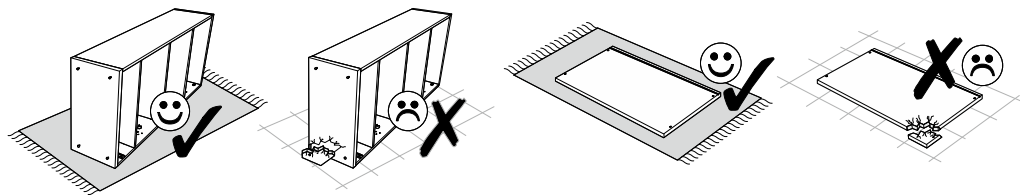


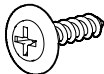
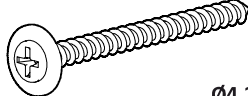
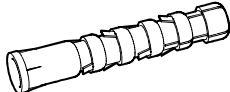
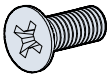


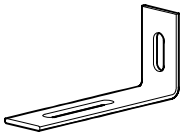

7

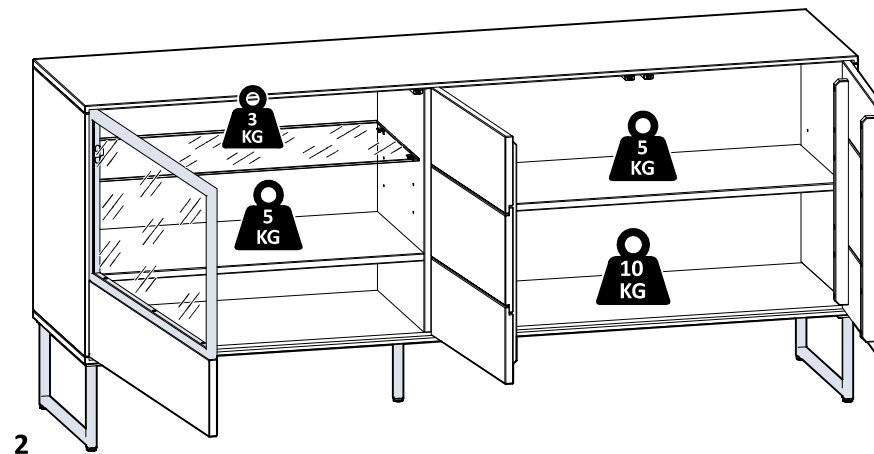
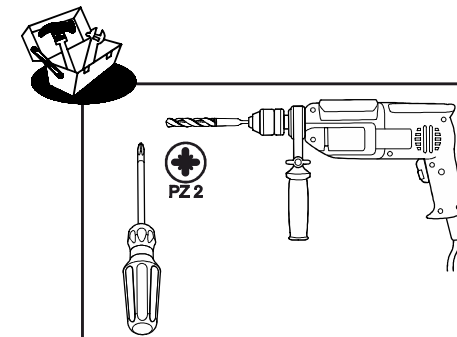


8



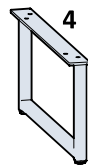
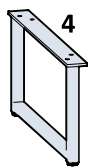
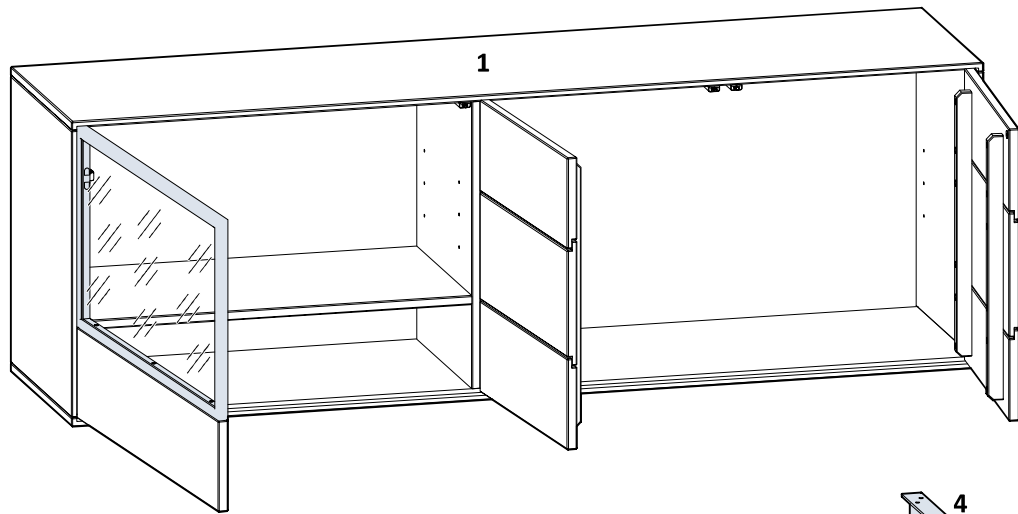
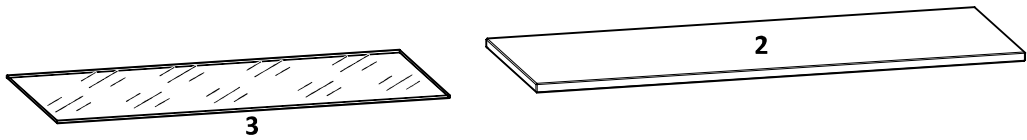


A.20 x1	A.25 x1	A.28 x1
 Ø4.2x16	 Ø4.2x51	 Ø8x50
E.58 x10	B.23 x4	B.24 x4
 M6x16		
F.1 x1	G.3 x1	
	 Ø20	



1

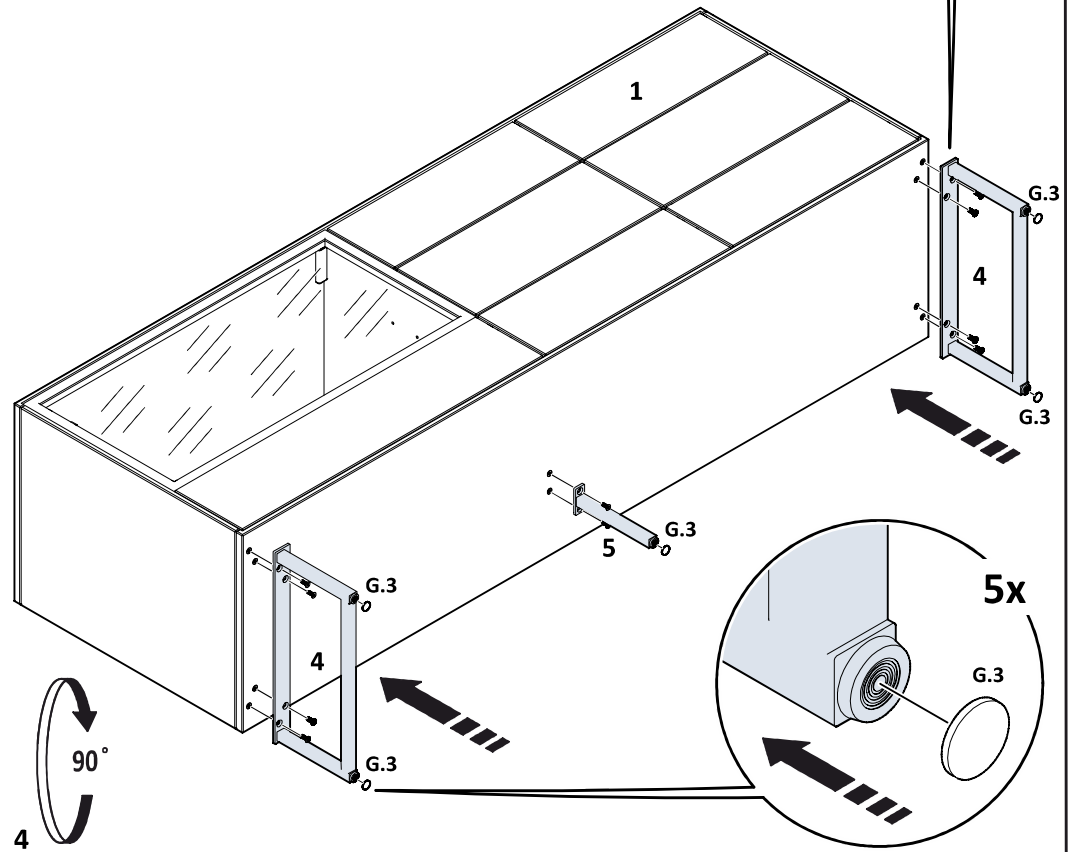
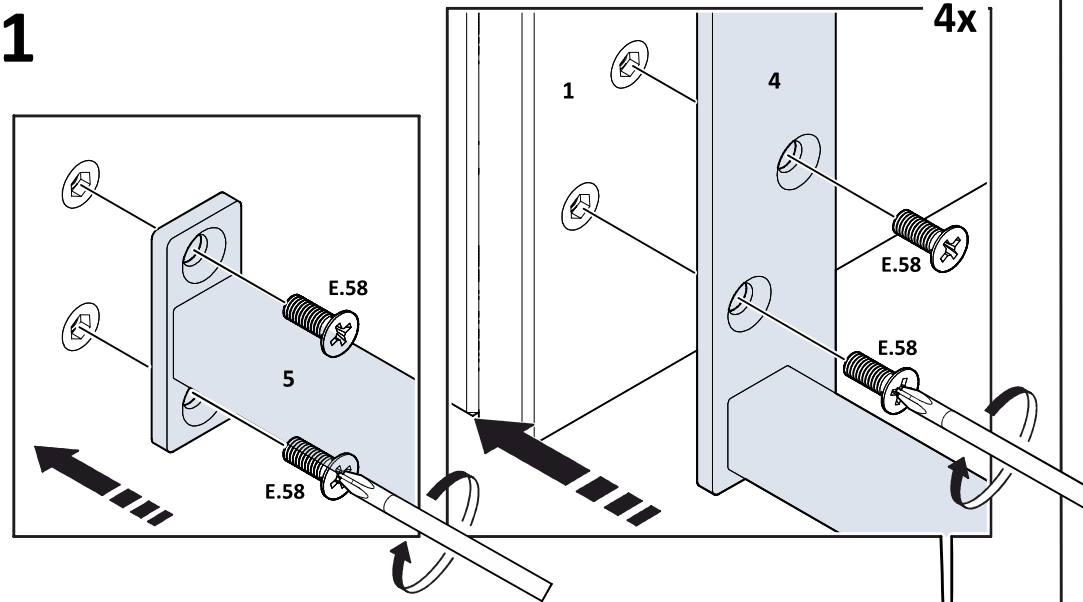
2



Nº		Sizes	Coll
1	x1	1800x600x450	1,1
2	x1	966x370x18	1,1
3	x1	776x370x6	1,1
4	x2	435x195x40	1,1
5	x1	195x60x24	1,1
			1,1

3

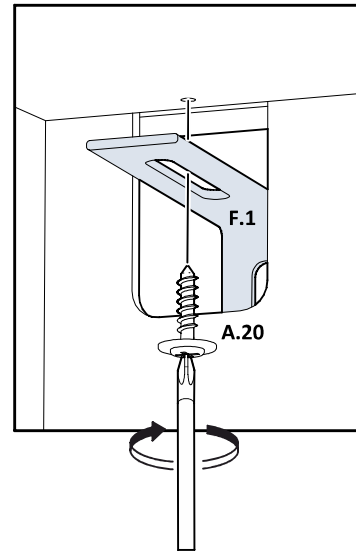
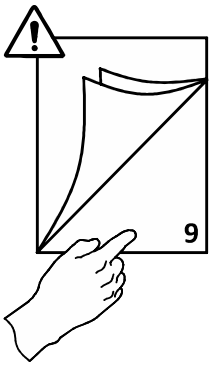
1



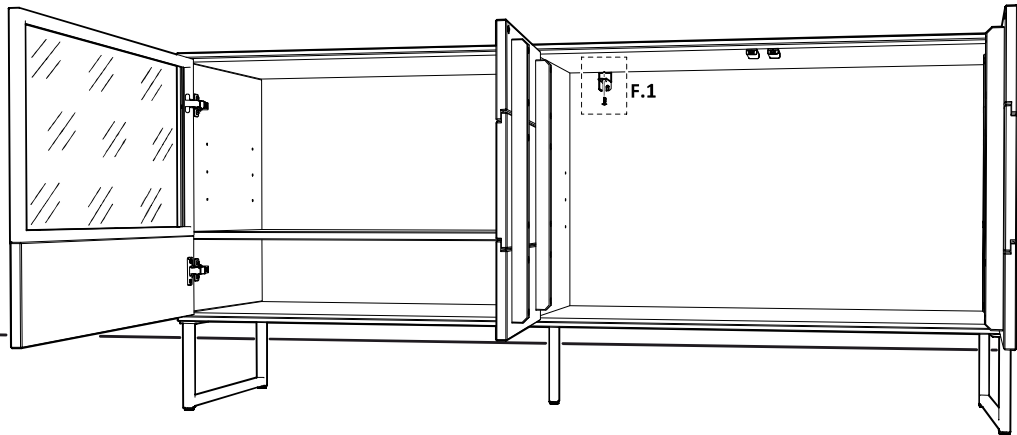
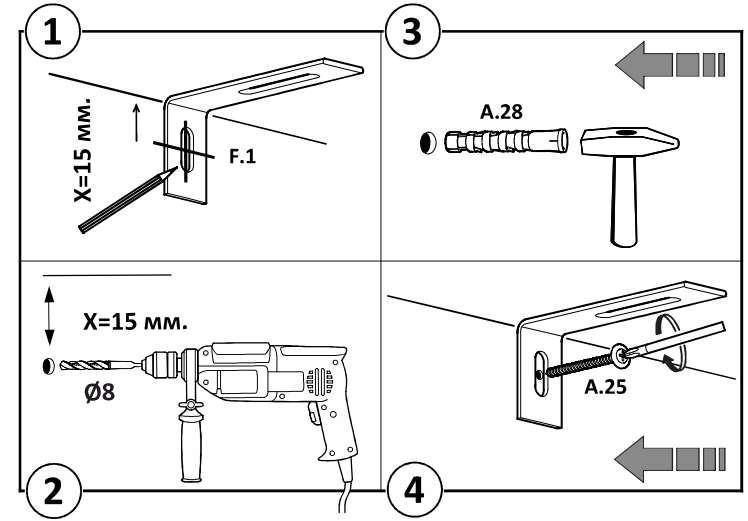
4

90°

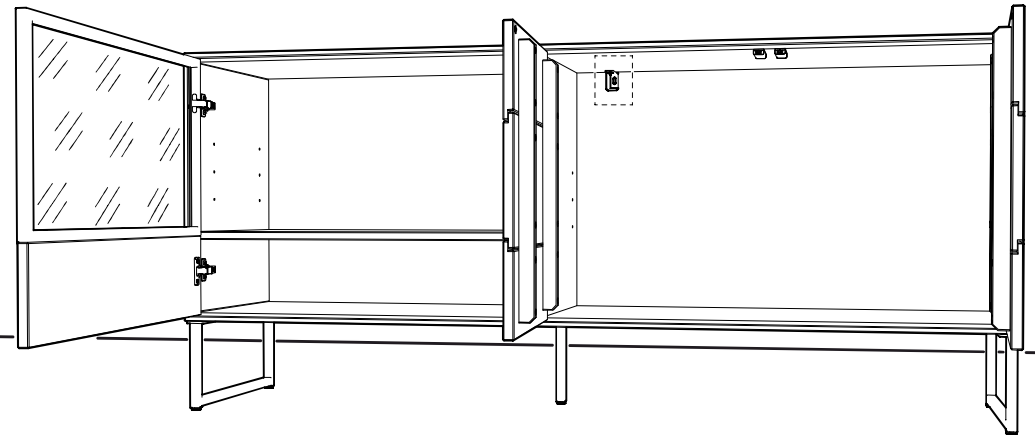
2



3

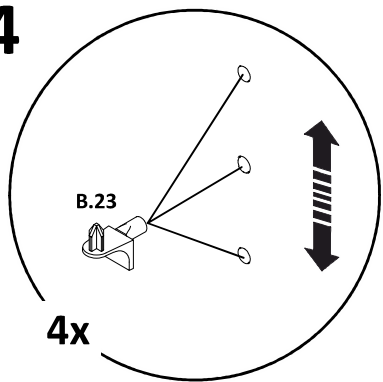


5

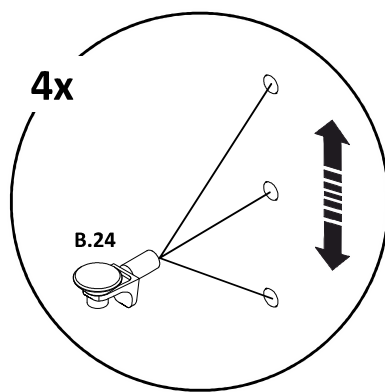


6

4

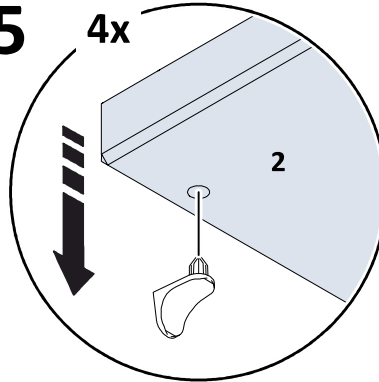


4x

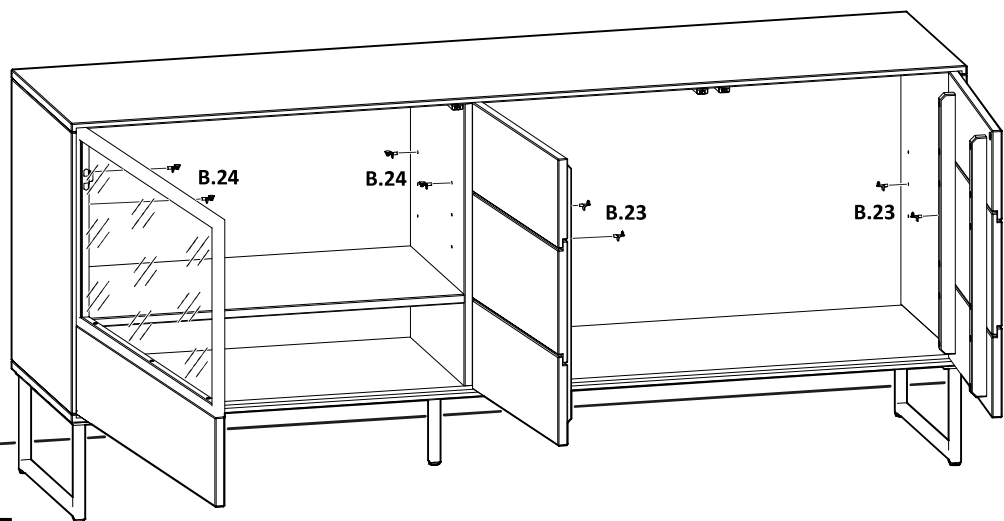
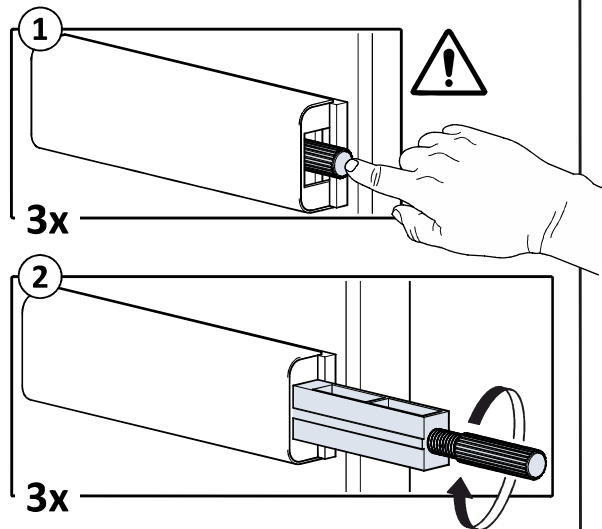
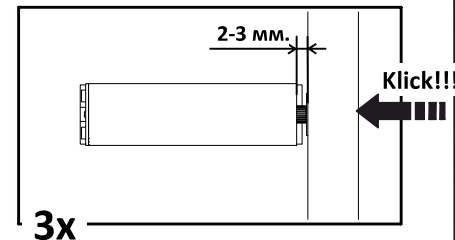
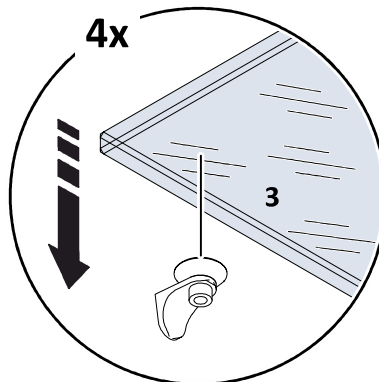


5

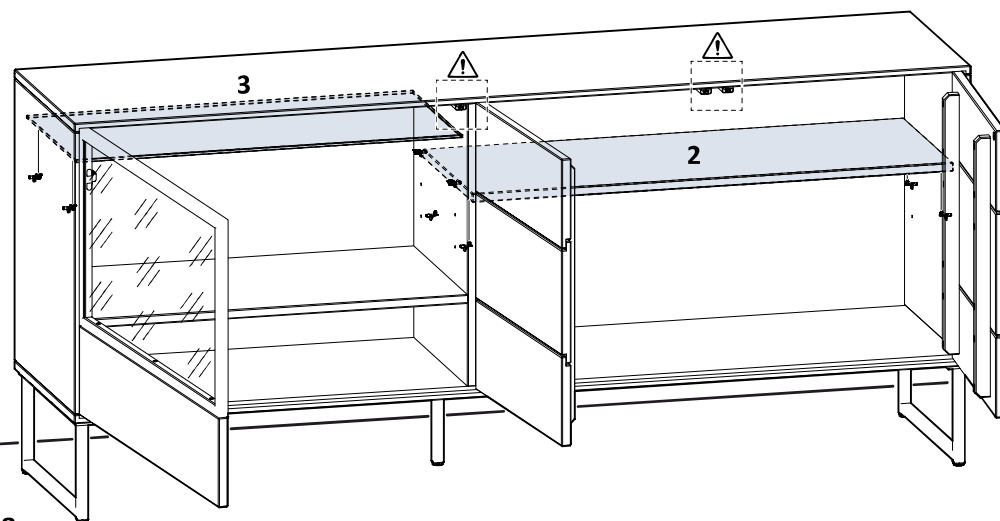
4x



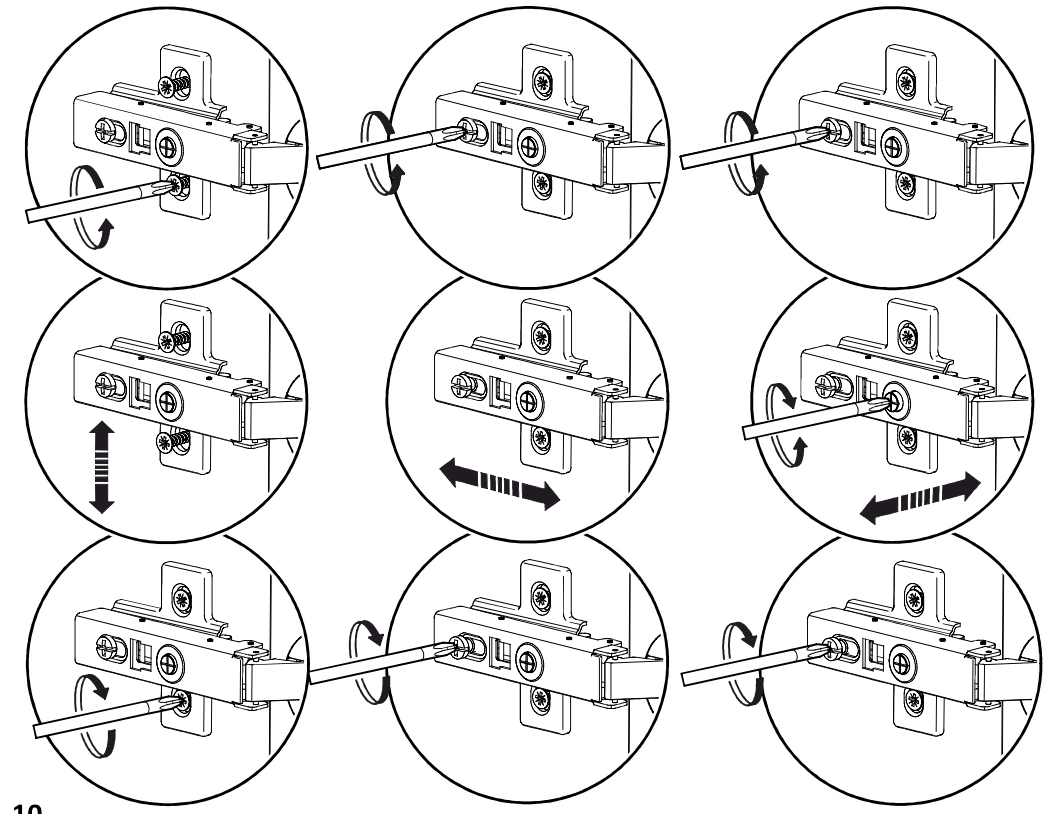
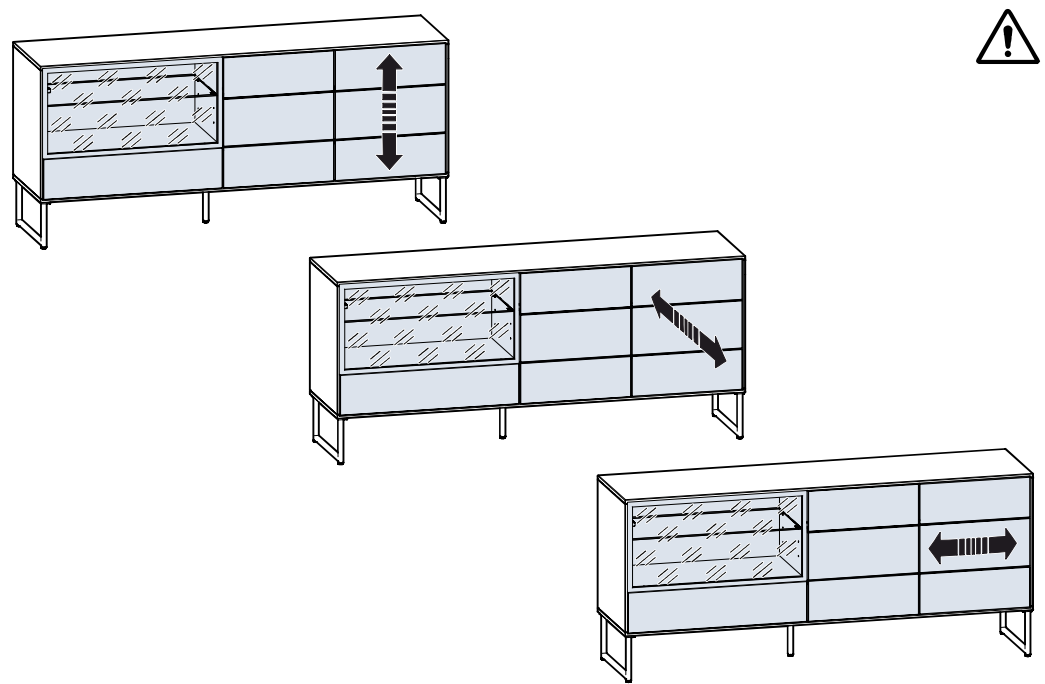
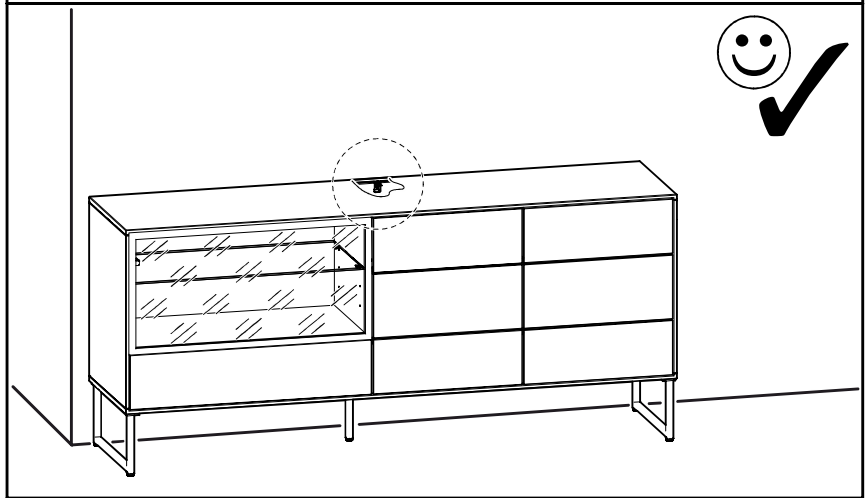
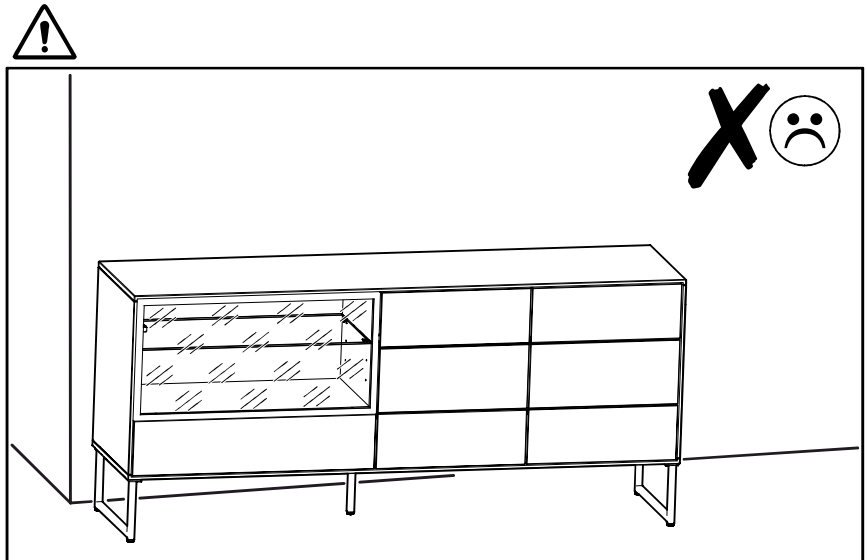
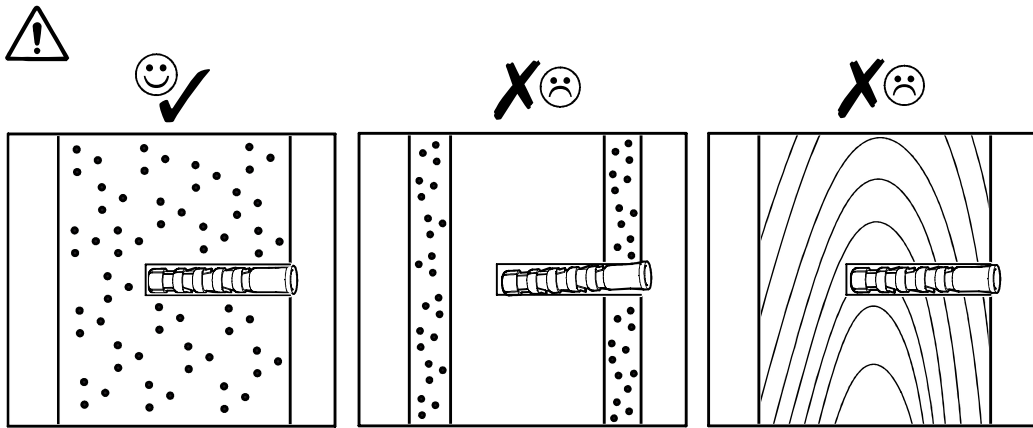
4x

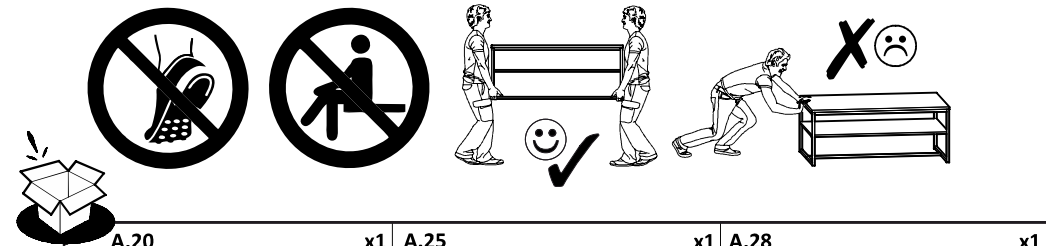
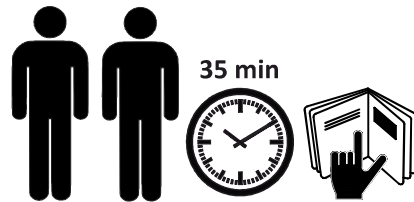
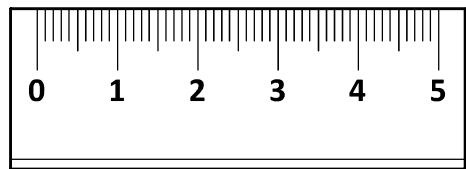
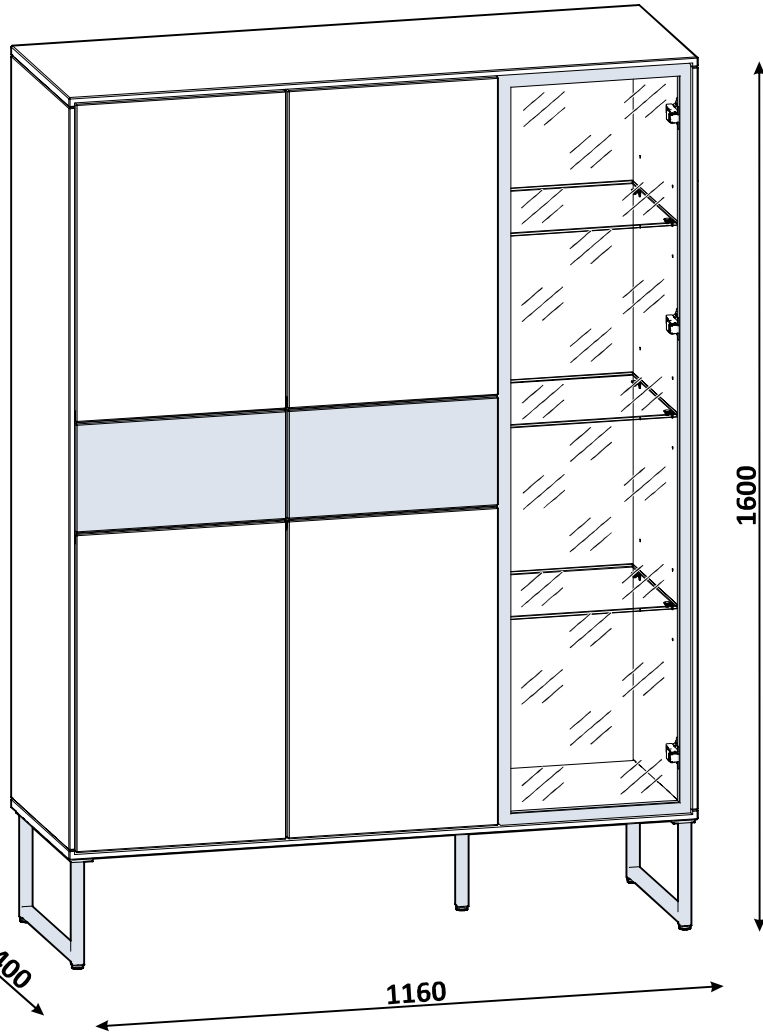
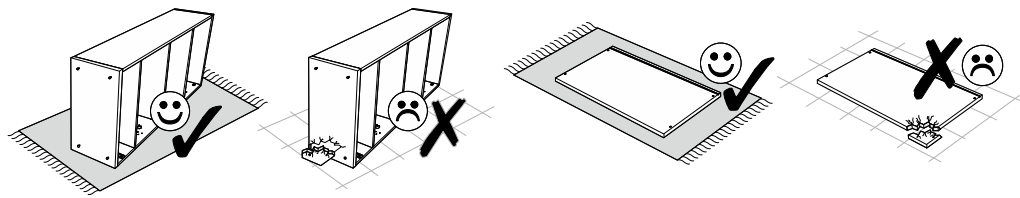


7

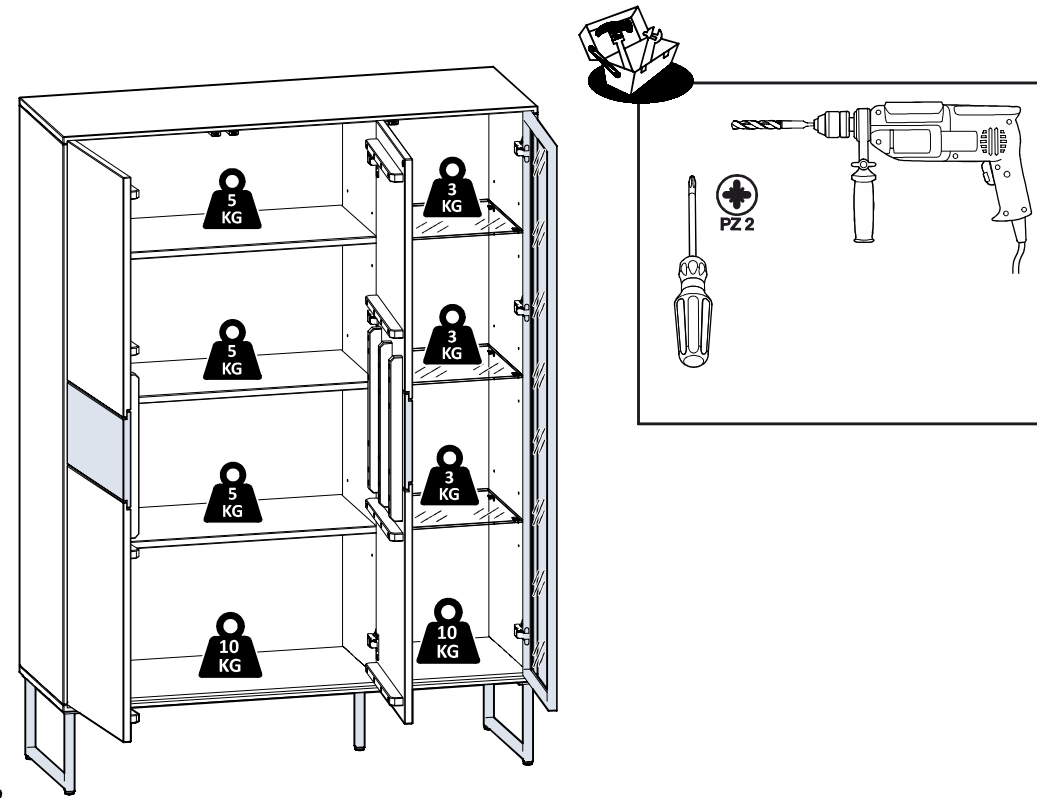


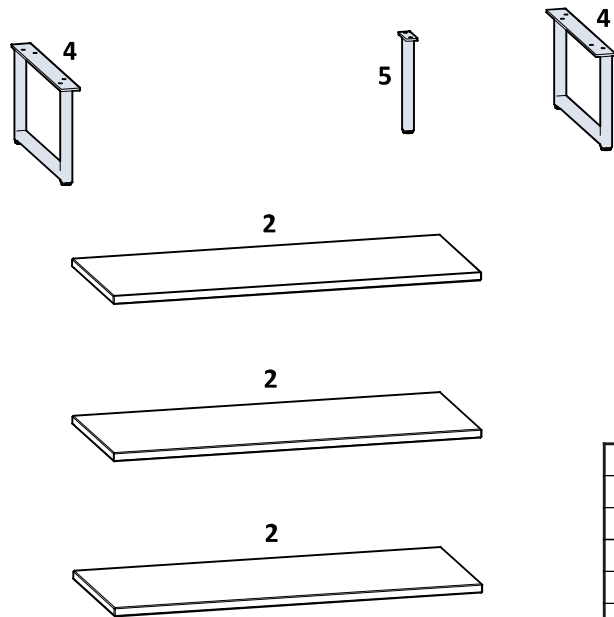
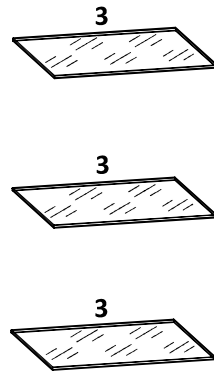
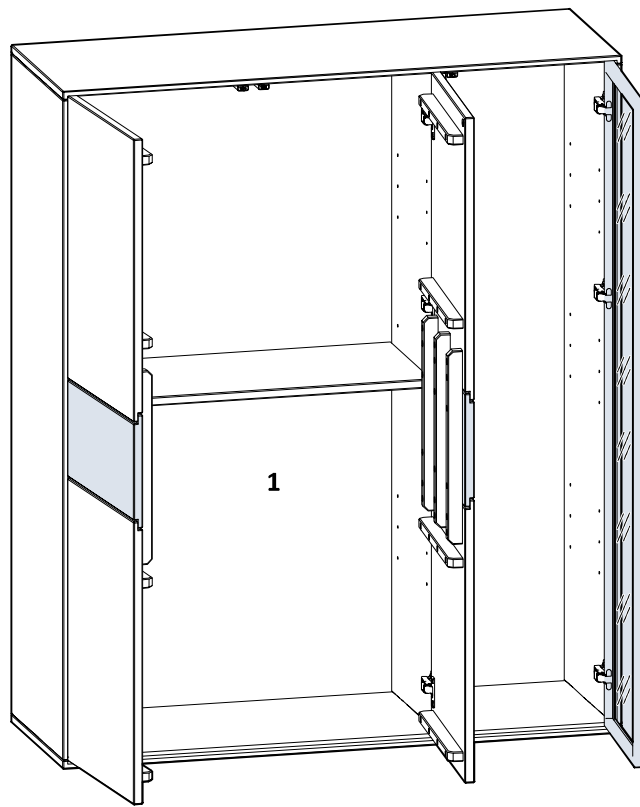
8





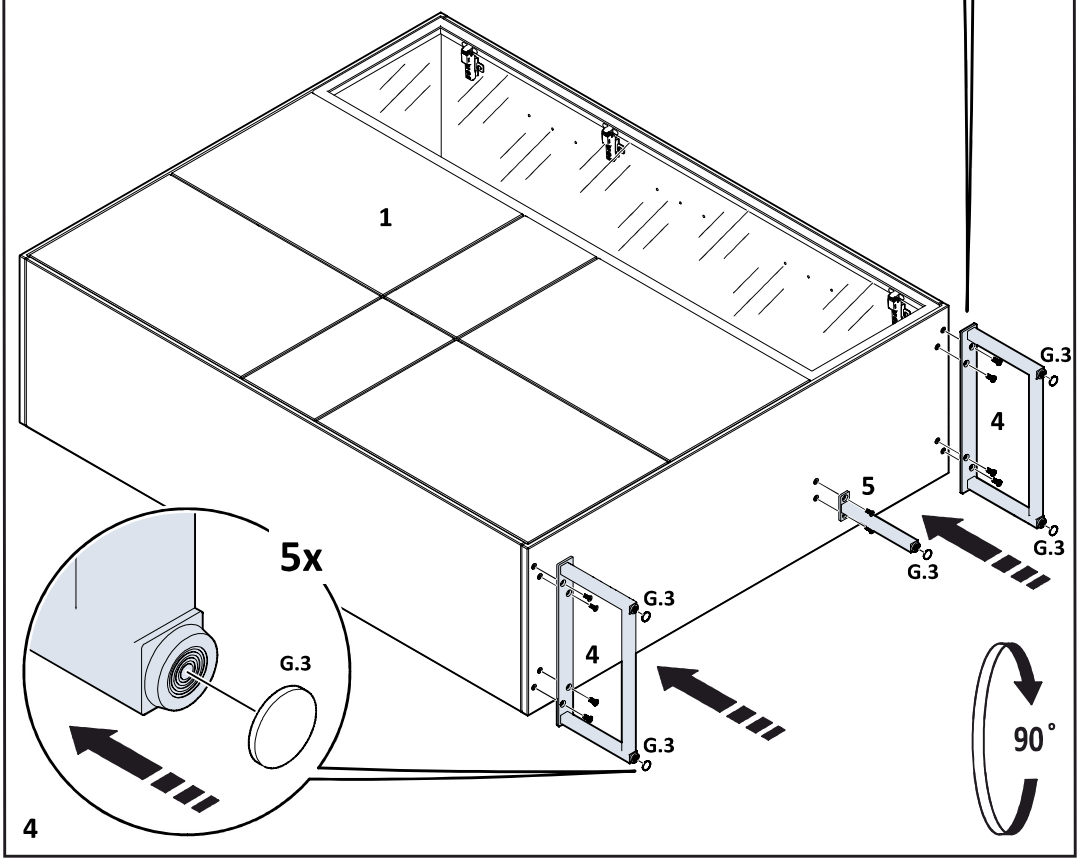
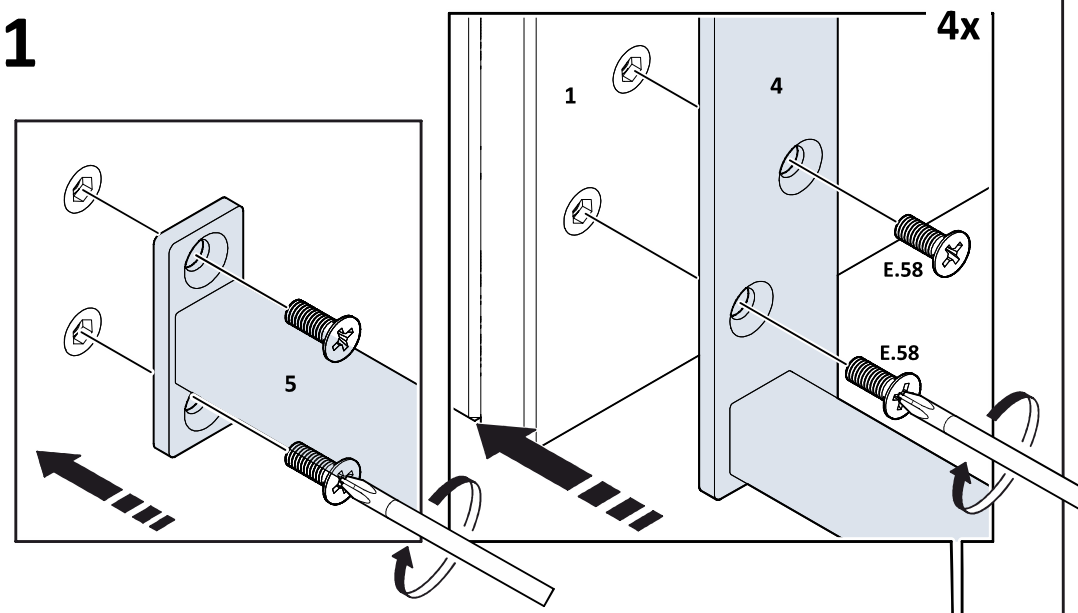
A.20 x1	A.25 x1	A.28 x1
Ø4.2x16	Ø4.2x51	Ø8x50
E.58 x10	B.23 x12	B.24 x12
M6x16		
F.1 x1	G.3 x1	
		Ø20





No		Sizes	Coll
1	x1	1160x1400x400	1,1
2	x3	762x320x18	1,1
3	x3	762x320x6	1,1
4	x2	382x195x40	1,1
5	x1	195x60x24	1,1
			1,1

1



3

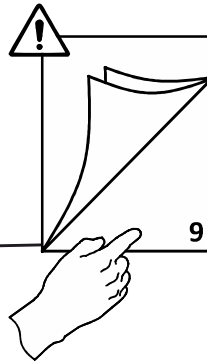
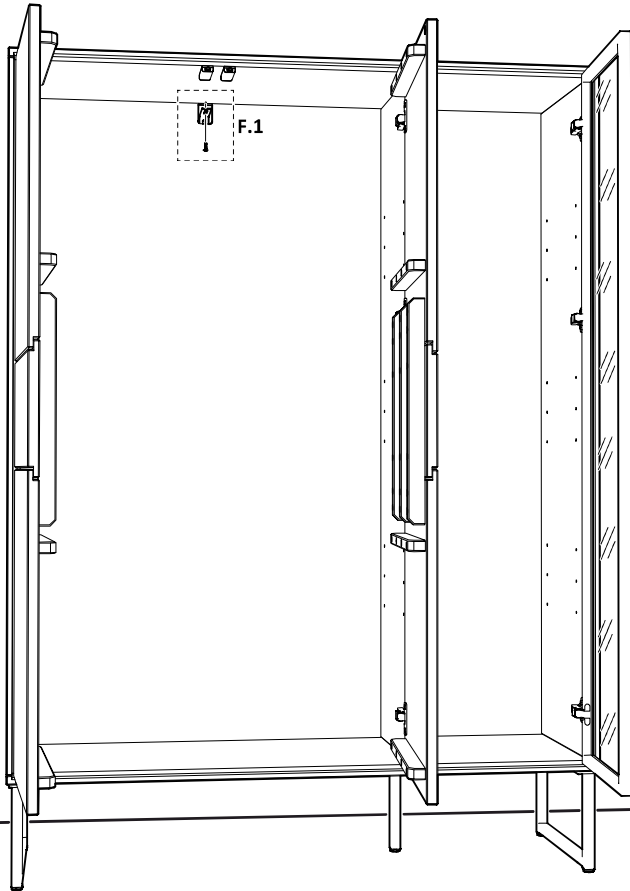
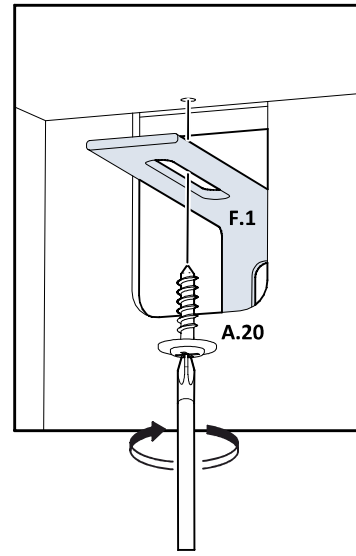
4

4x

5x

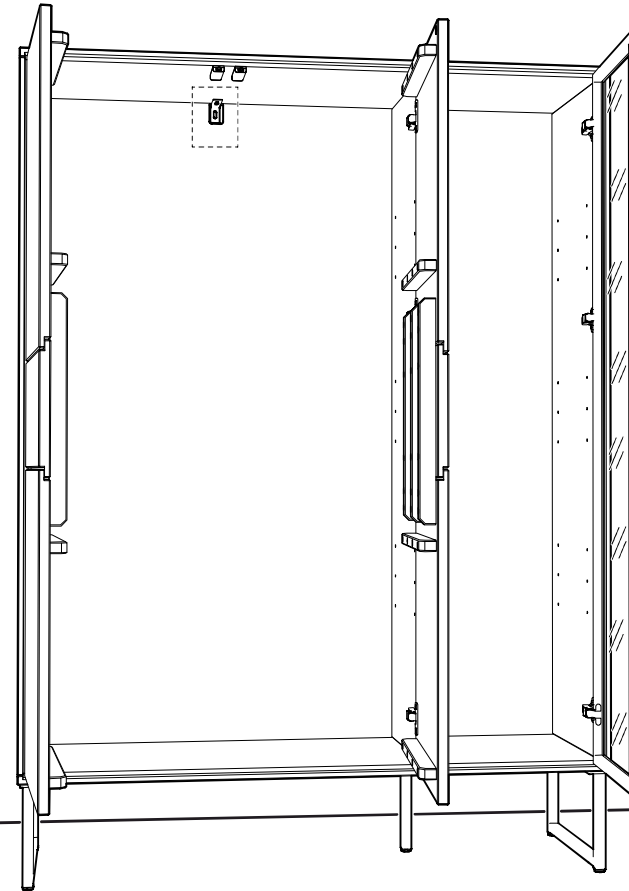
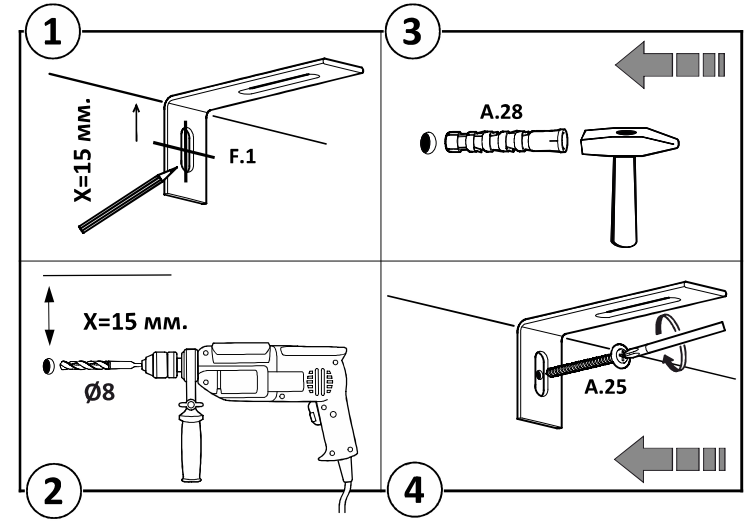
90°

2



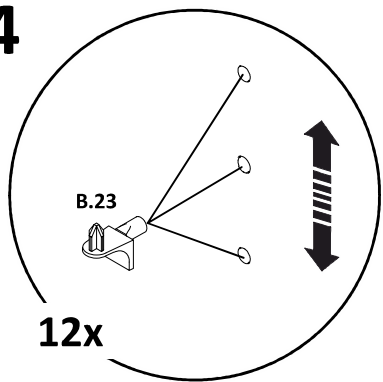
5

3

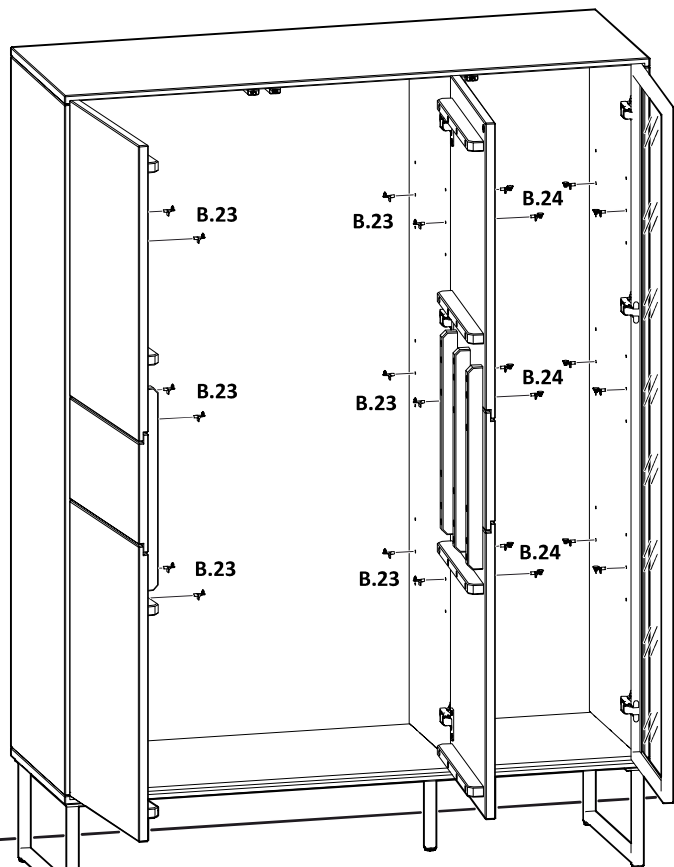
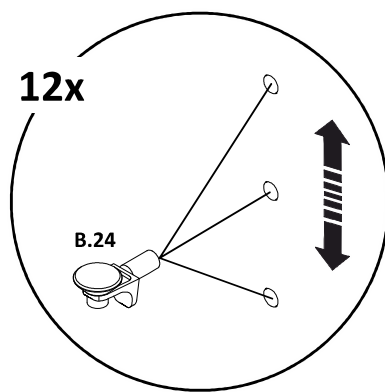


6

4

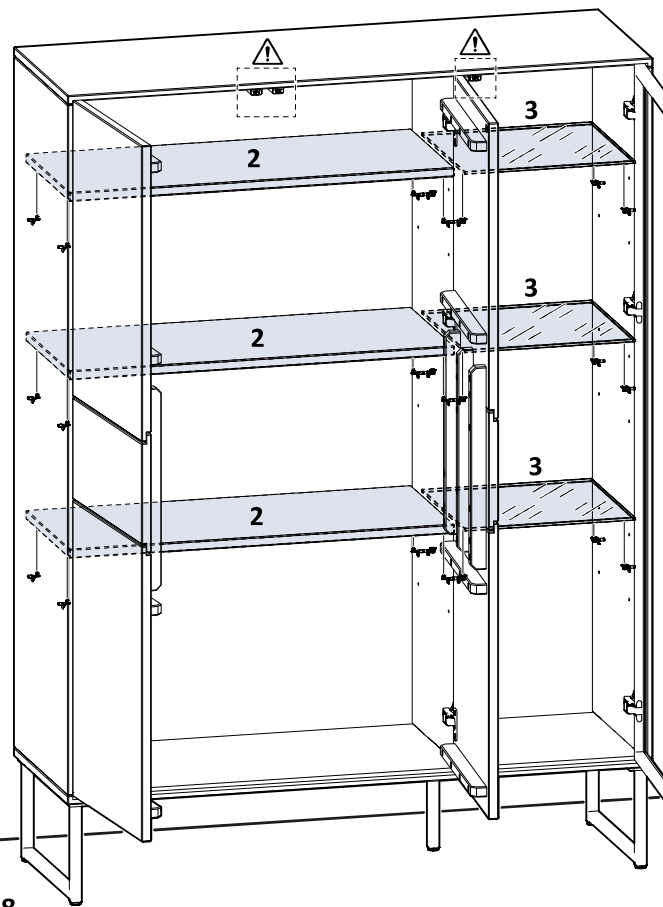
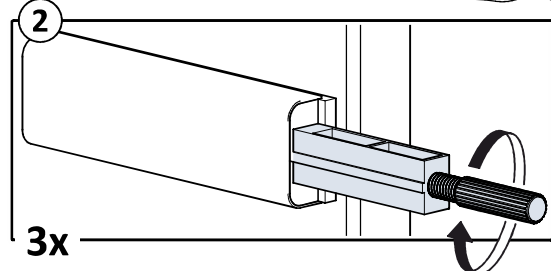
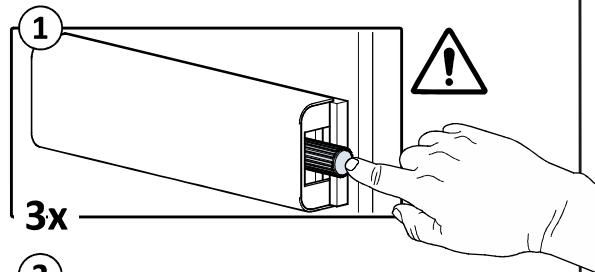
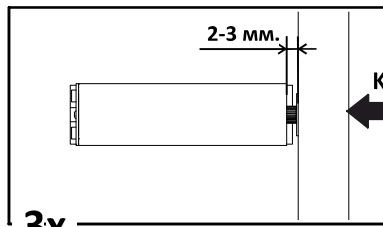


12x

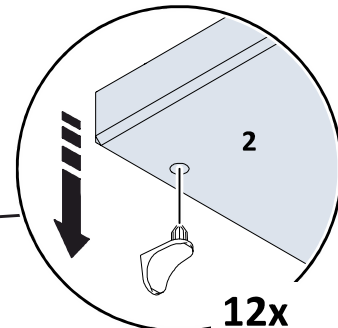
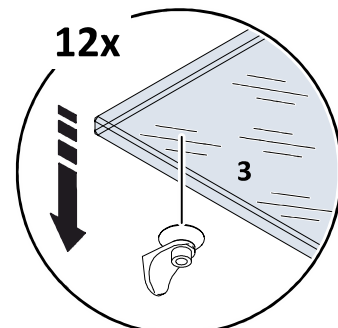


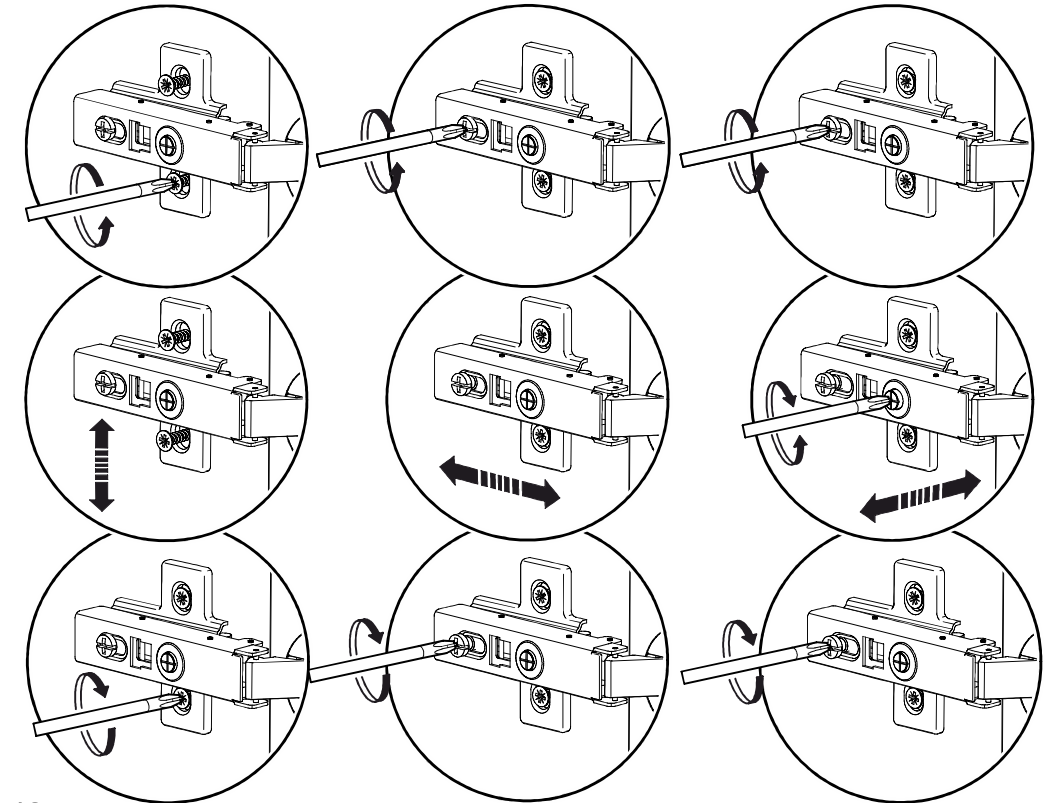
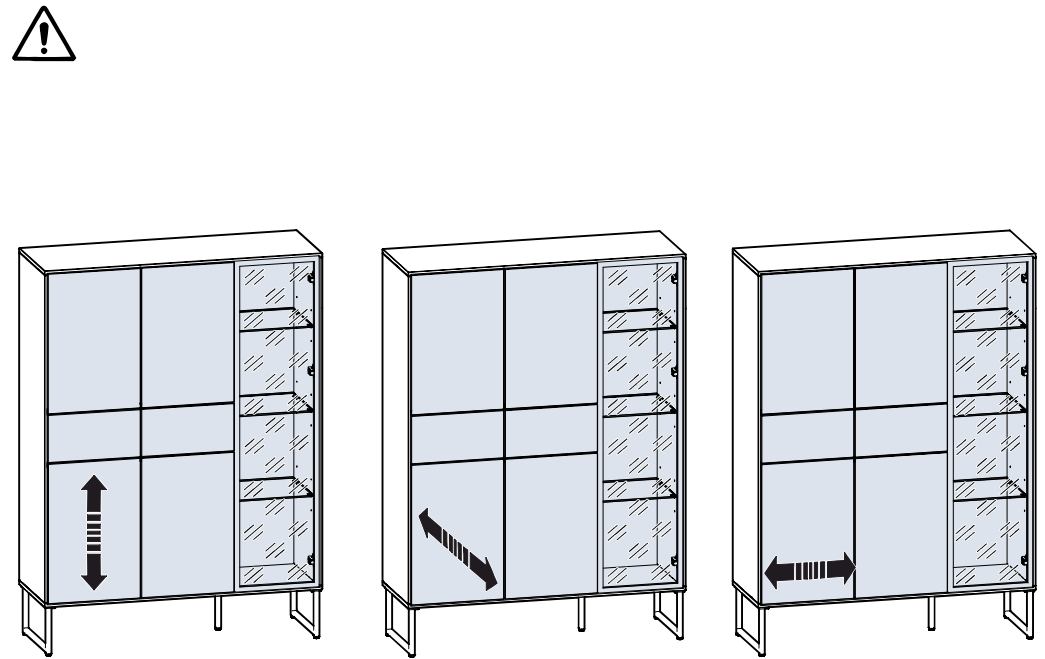
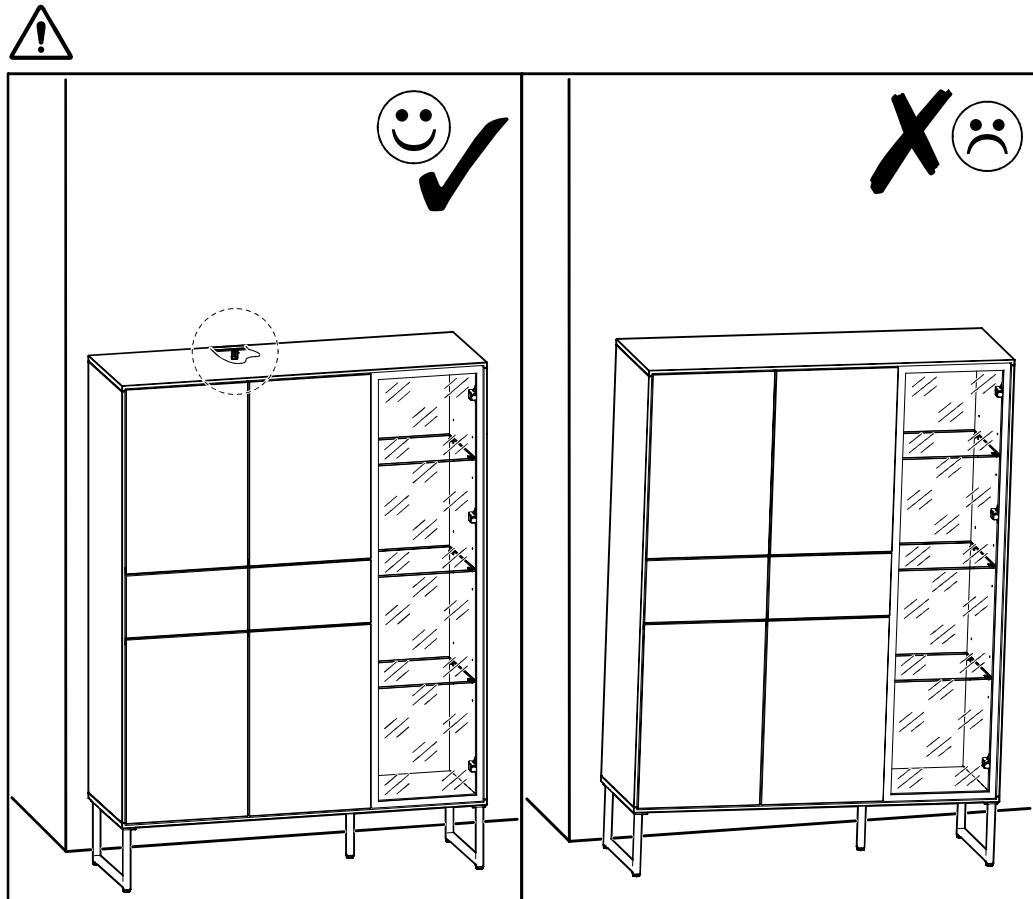
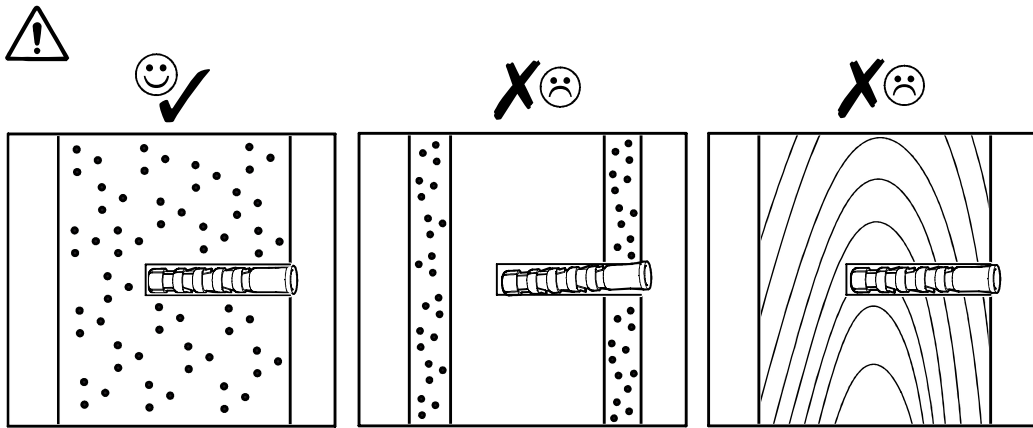
7

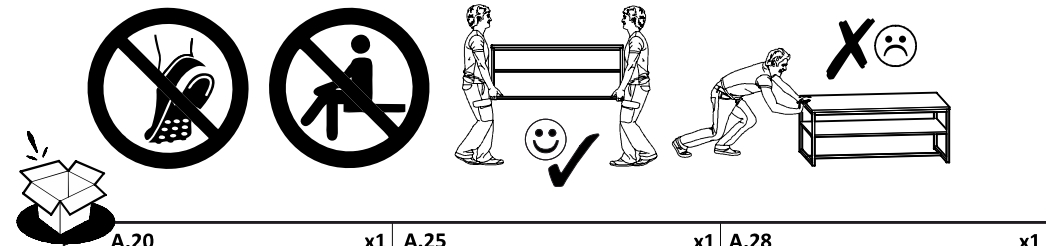
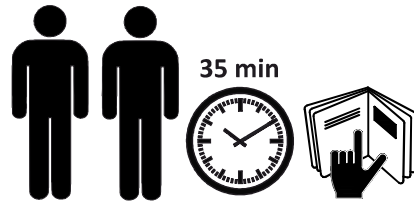
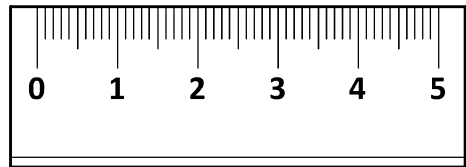
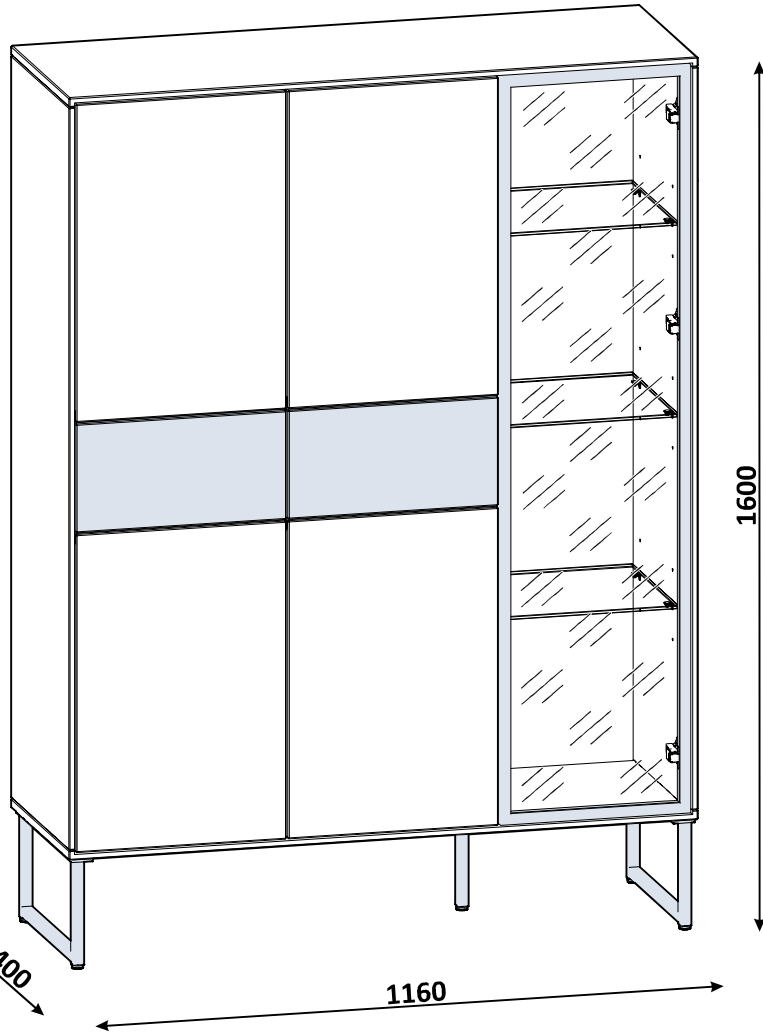
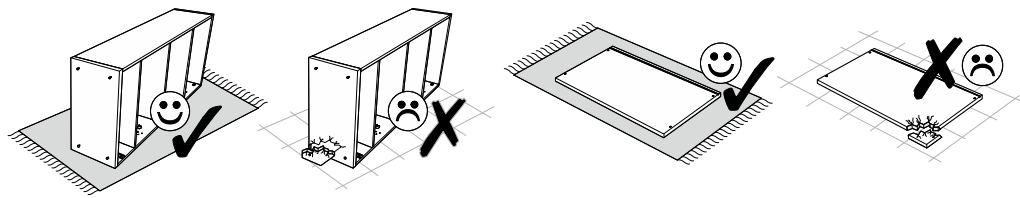
5



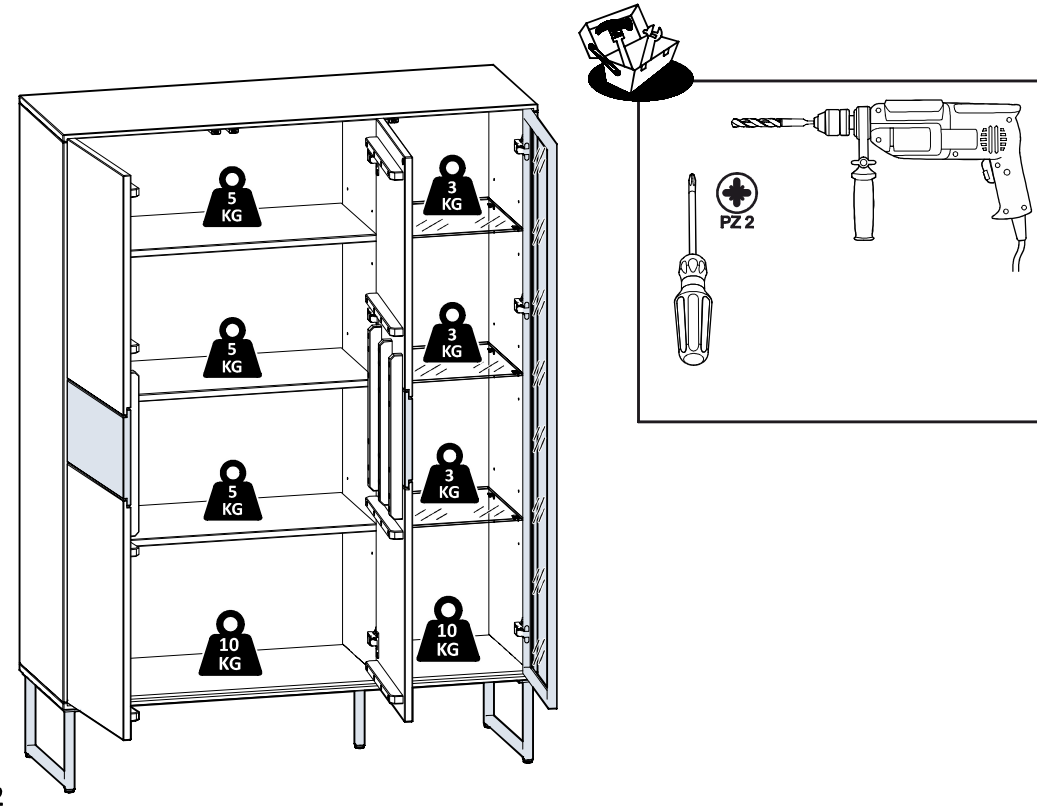
8

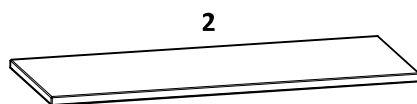
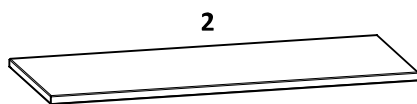
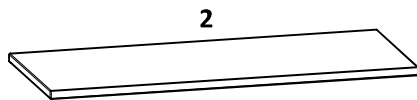
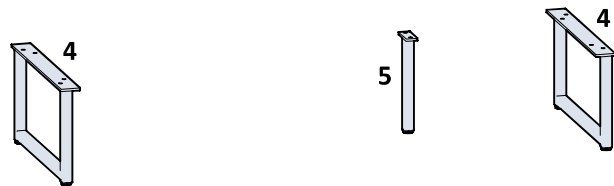
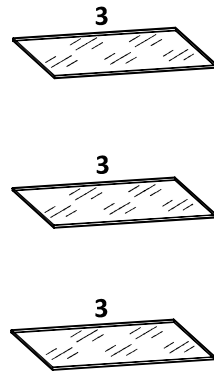
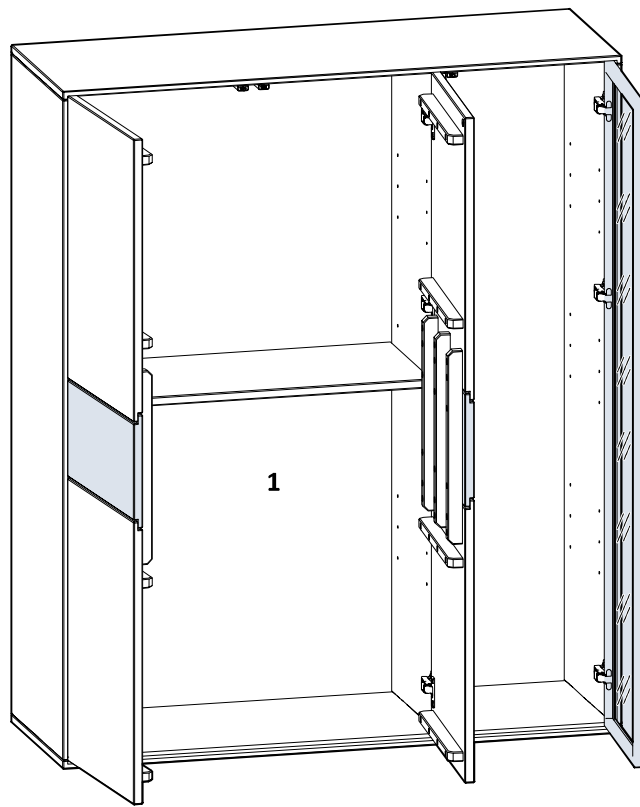







A.20 x1	A.25 x1	A.28 x1
Ø4.2x16	Ø4.2x51	Ø8x50
E.58 x10	B.23 x12	B.24 x12
M6x16		
F.1 x1	G.3 x1	
	Ø20	

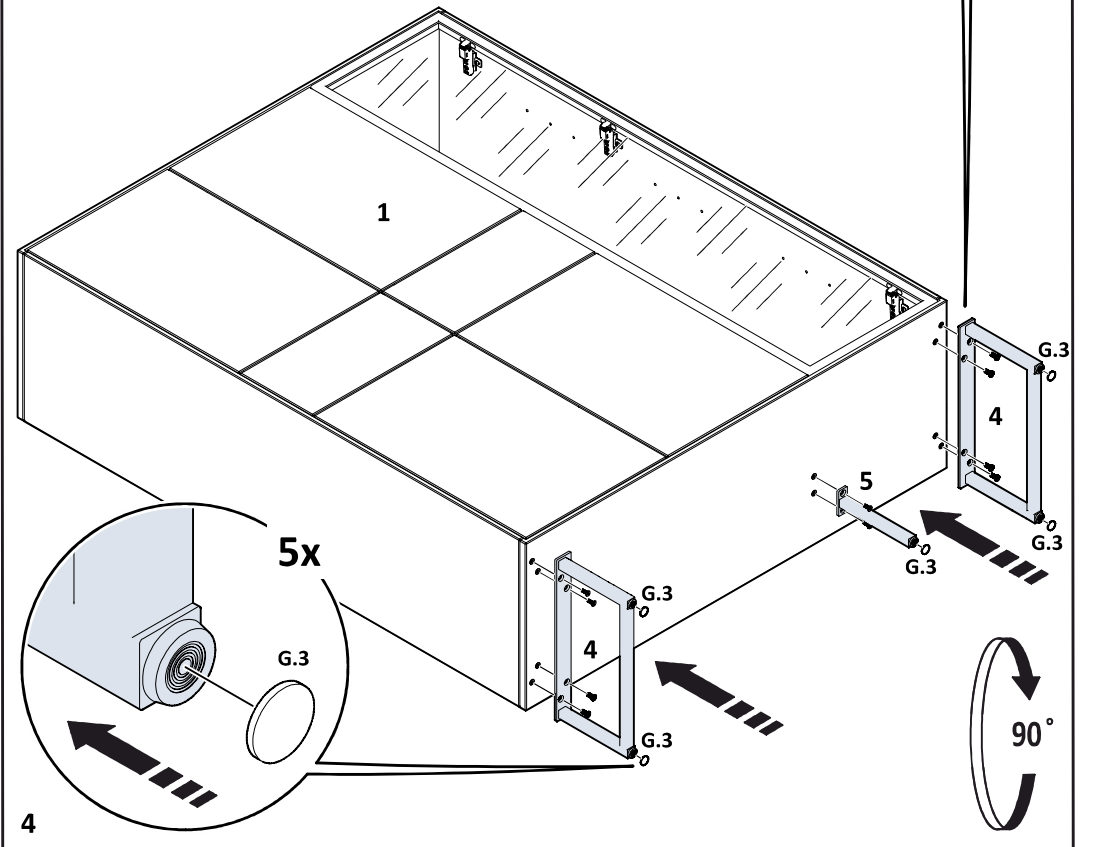
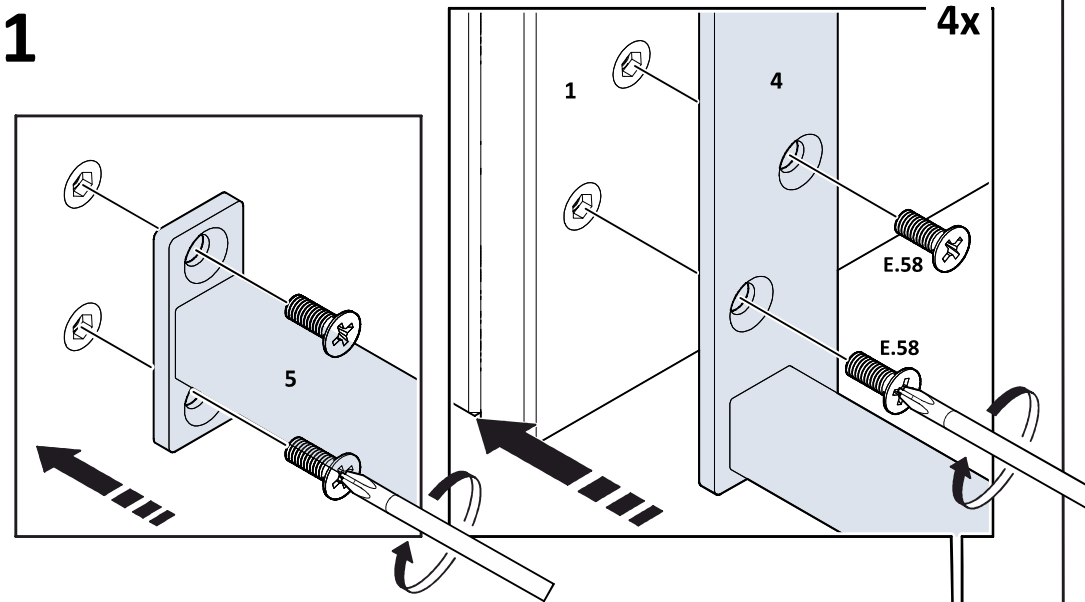




No		Sizes	Coll
1	x1	1160x1400x400	1,1
2	x3	762x320x18	1,1
3	x3	762x320x6	1,1
4	x2	382x195x40	1,1
5	x1	195x60x24	1,1
			1,1

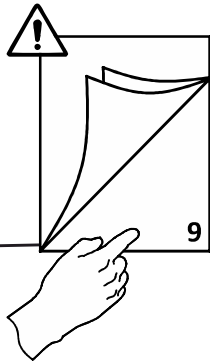
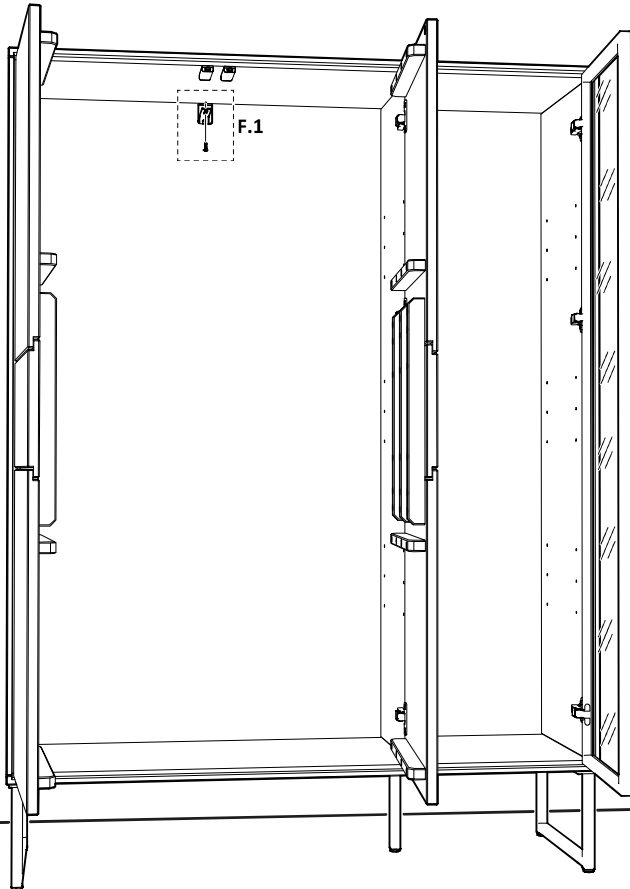
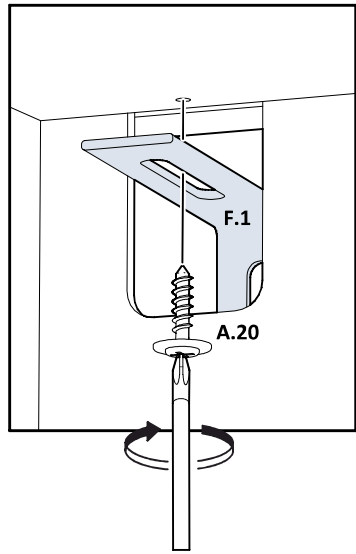
3

1



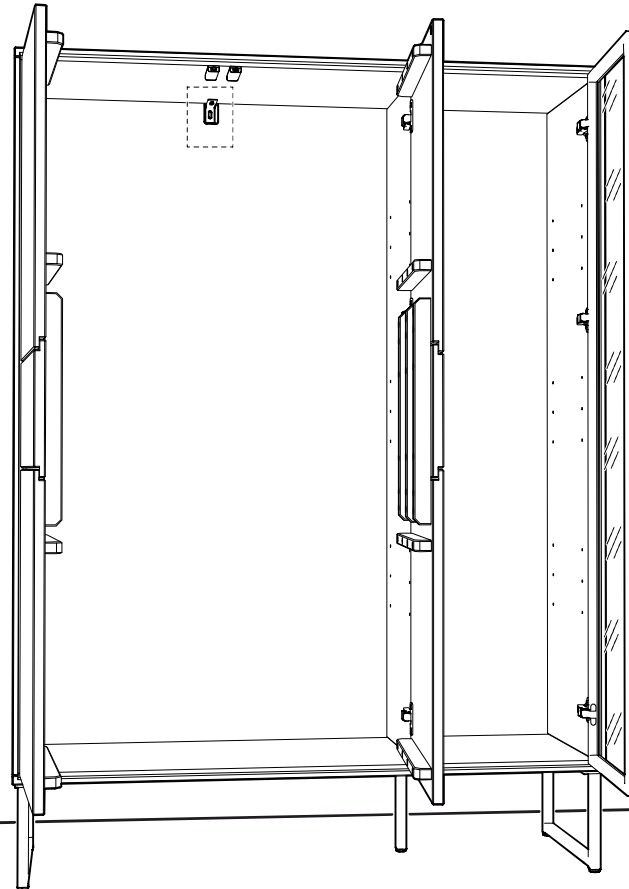
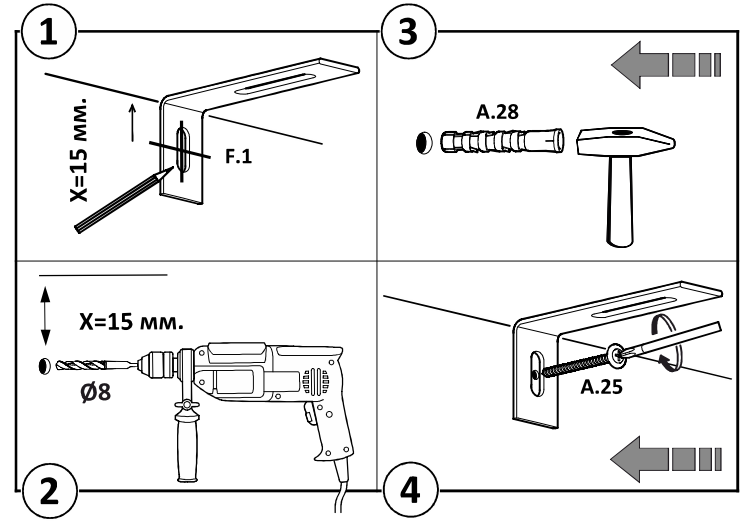
4

2



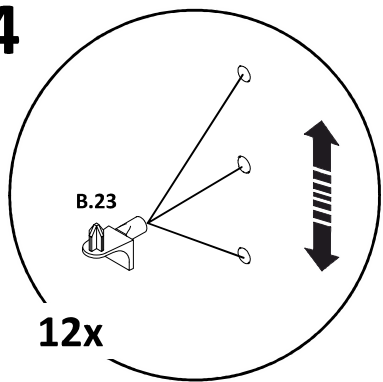
5

3

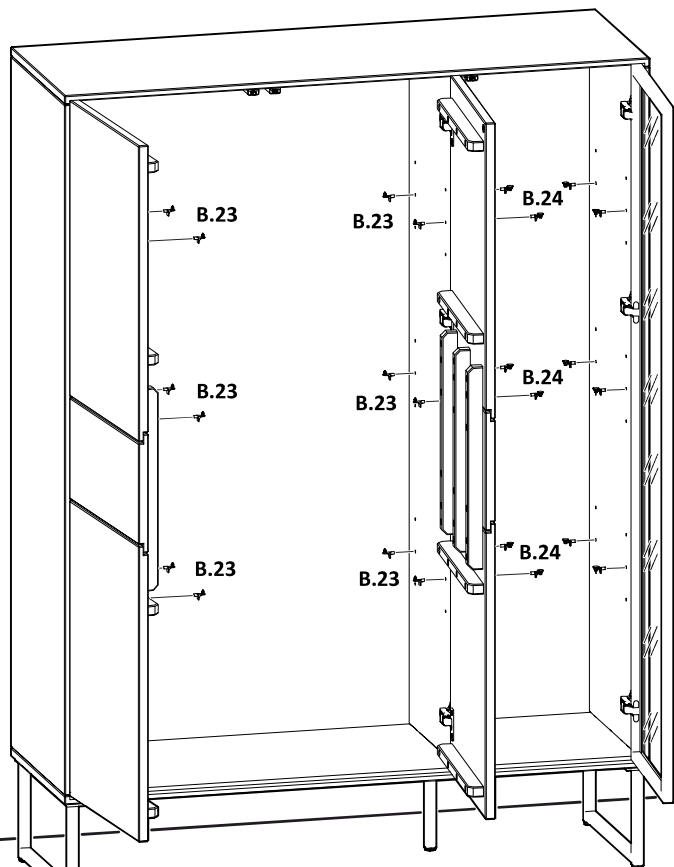
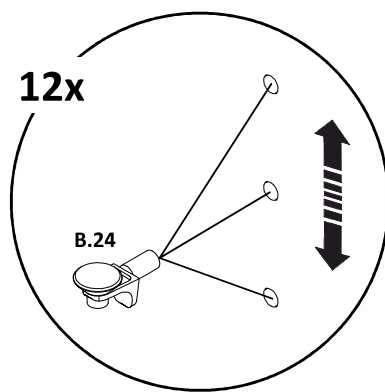


6

4

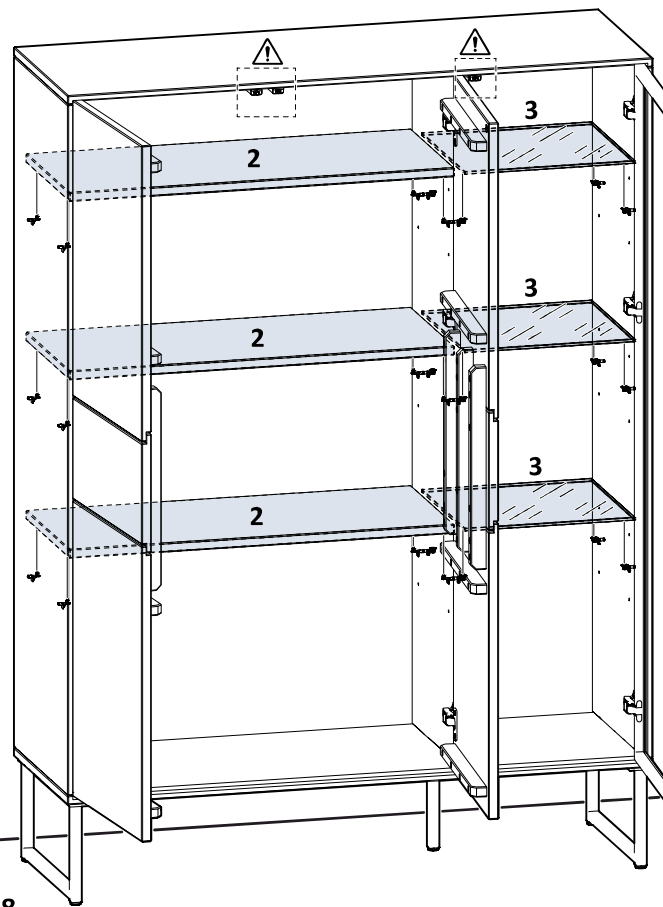
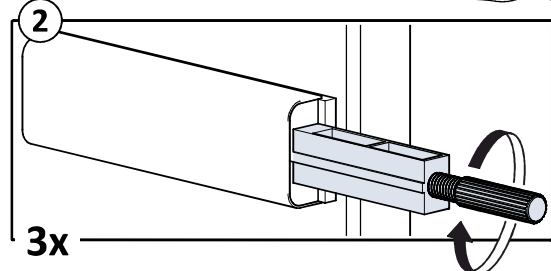
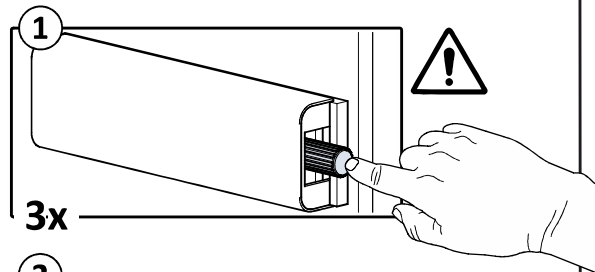
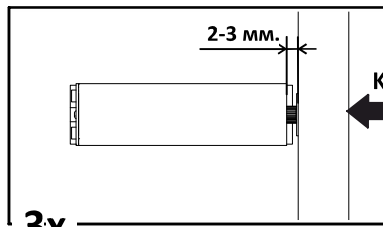


12x

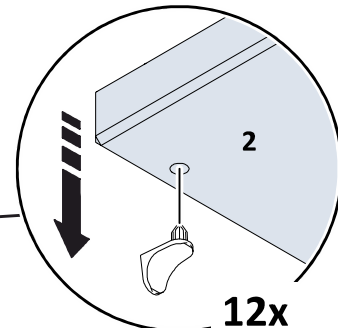
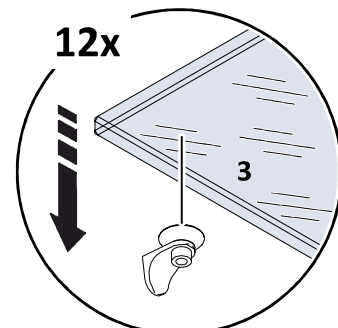


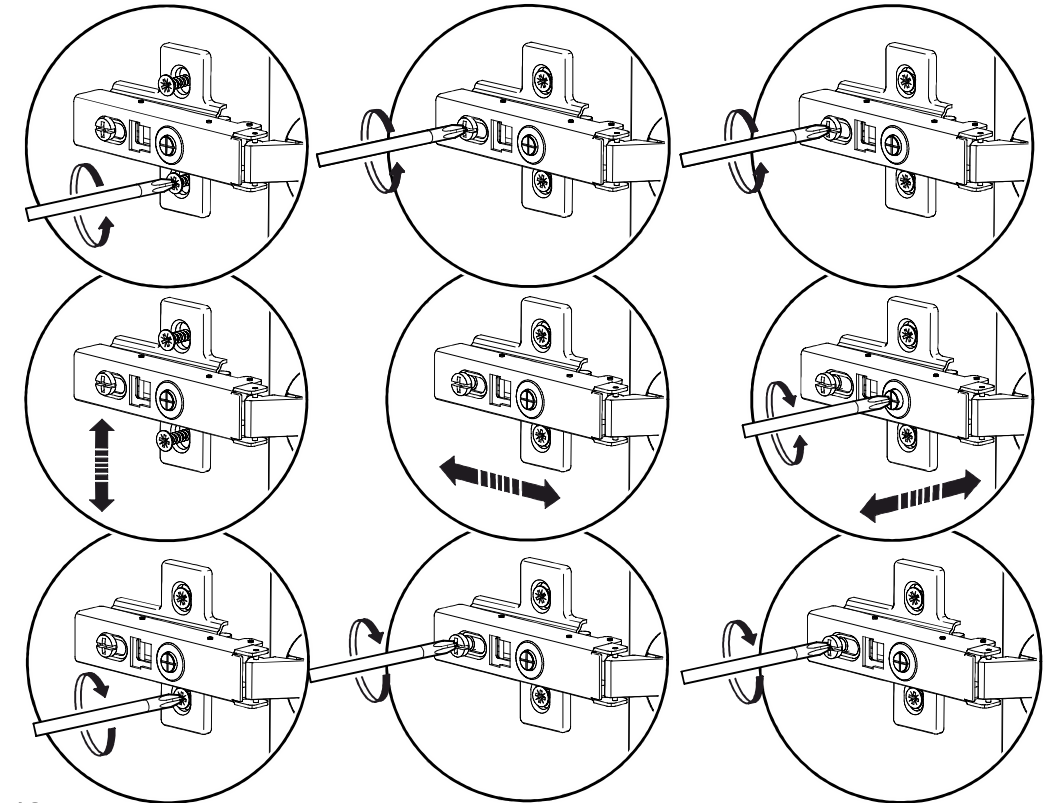
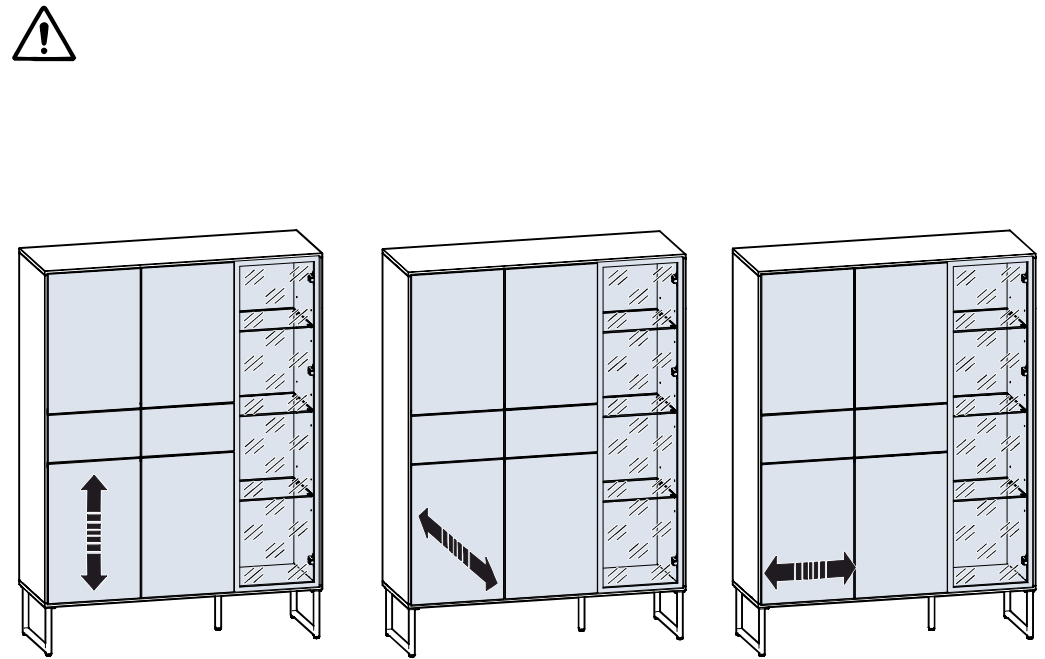
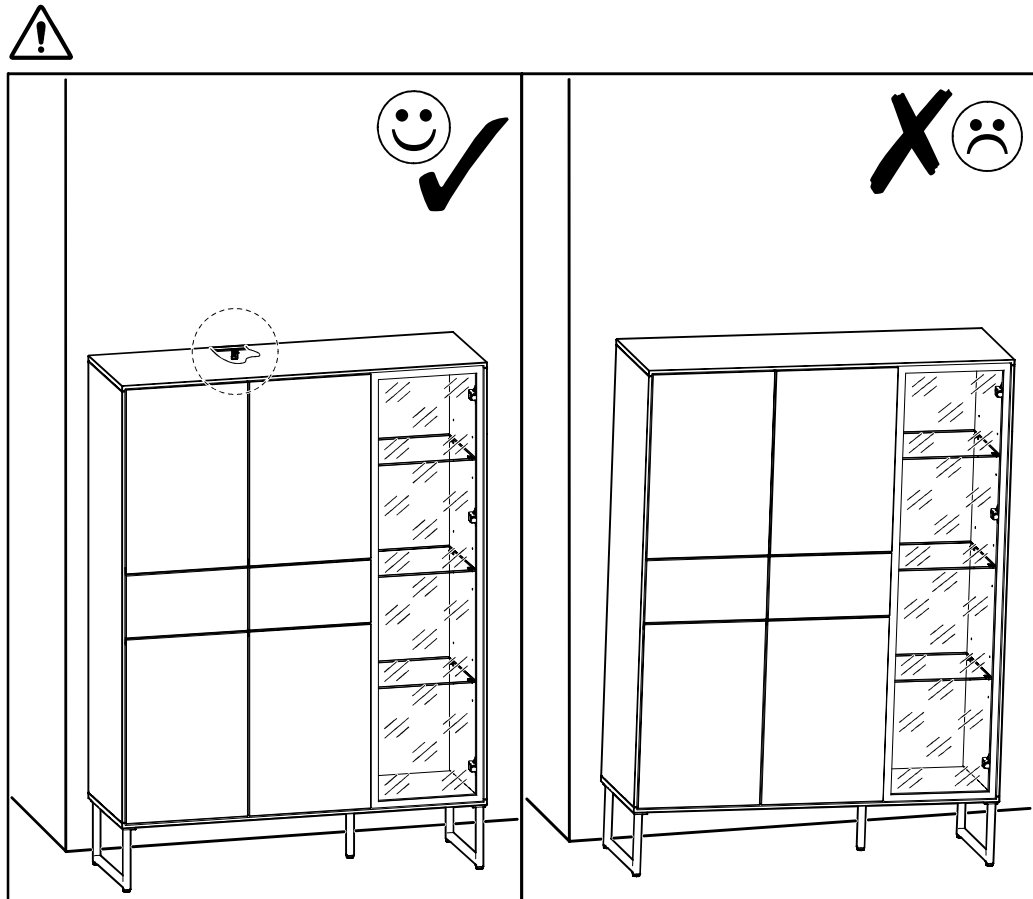
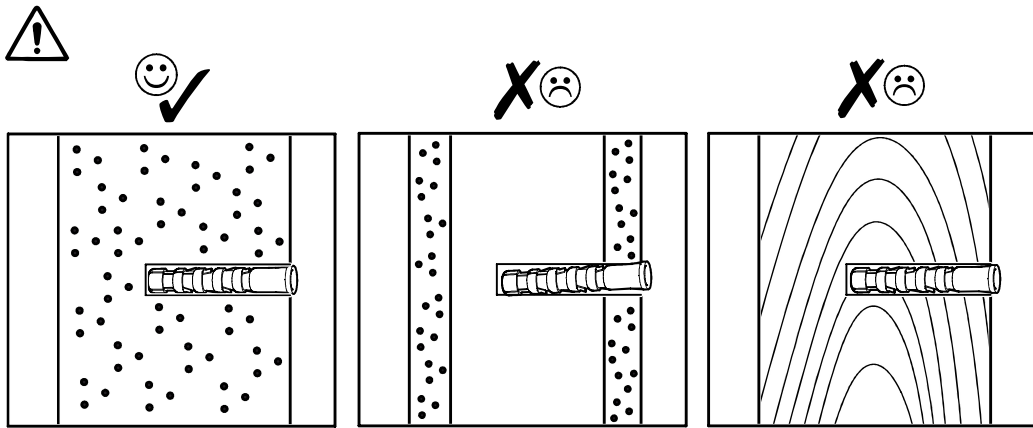
7

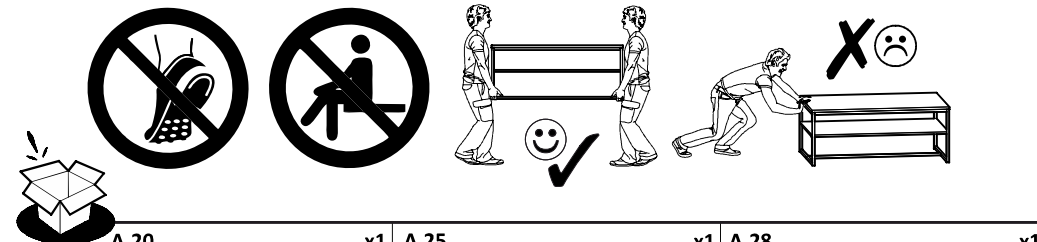
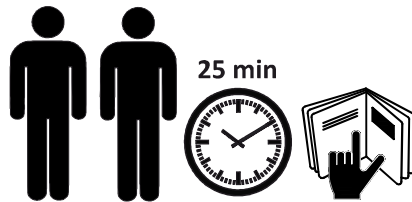
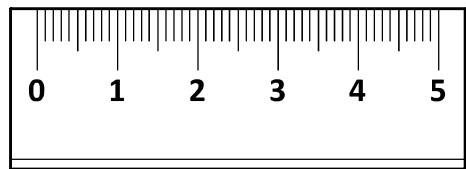
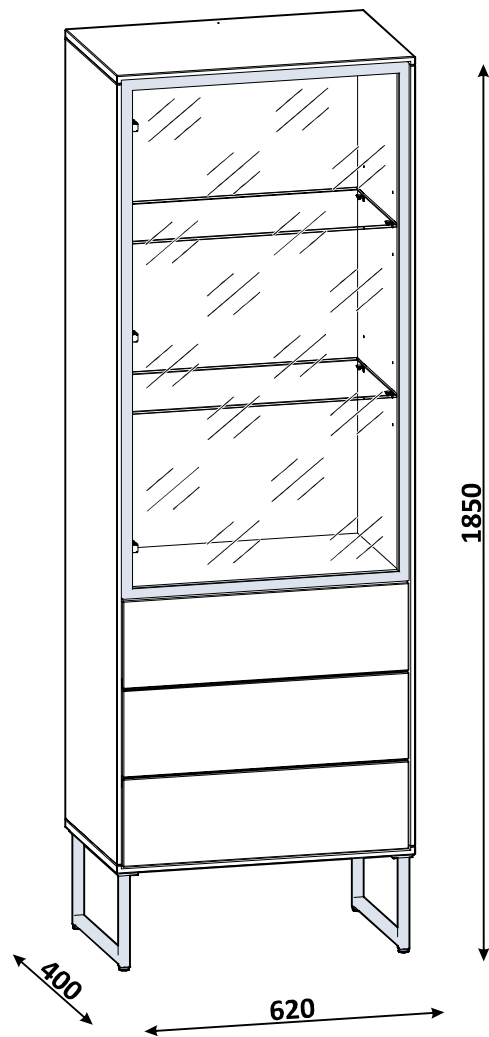
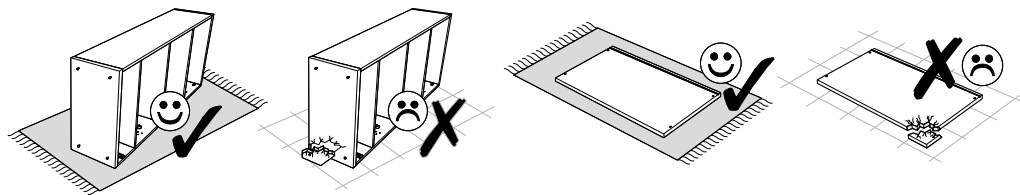
5



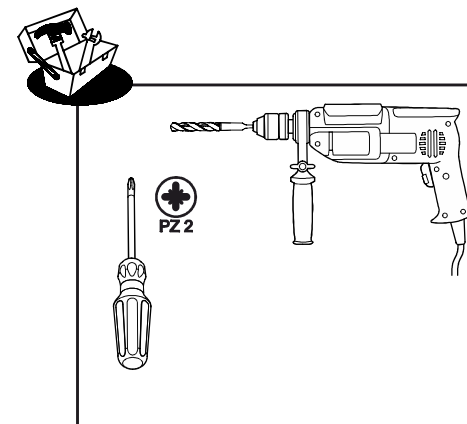
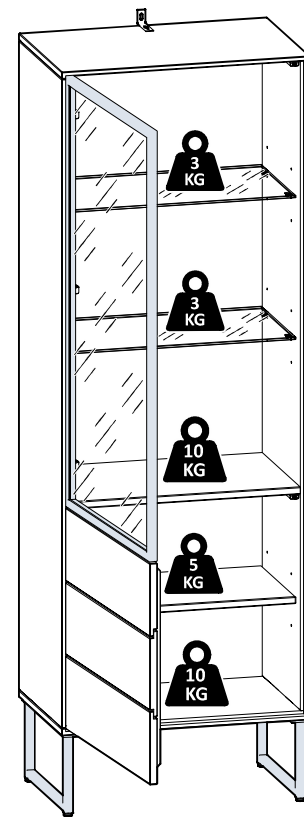
8





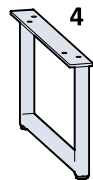
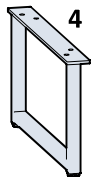
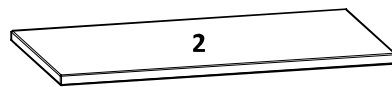
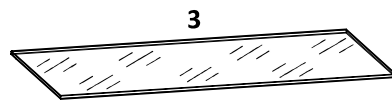
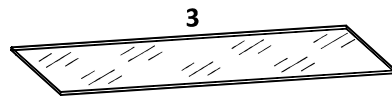
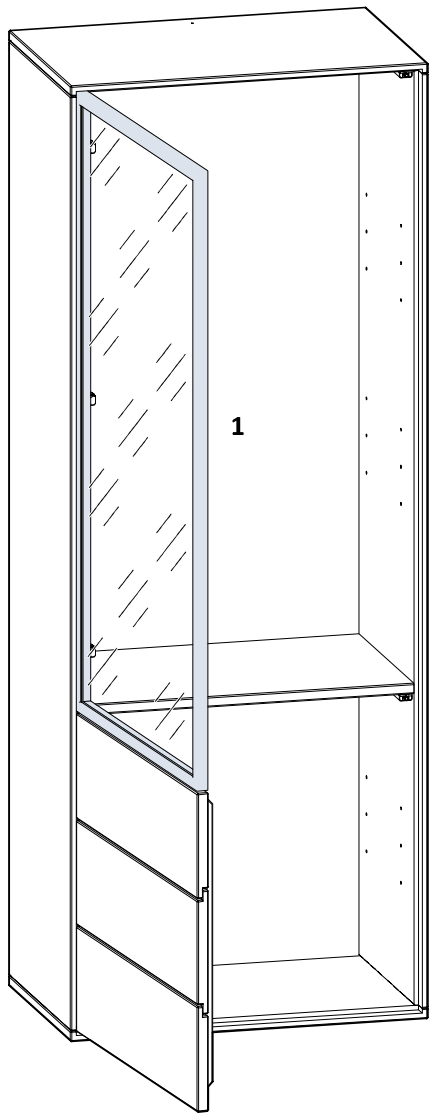


A.20	x1	A.25	x1	A.28	x1
	Ø4.2x16		Ø4.2x51		Ø8x50
E.58	x8	B.23	x4	B.24	x8
	M6x16				
F.1	x1	G.3	x1		
			Ø20		



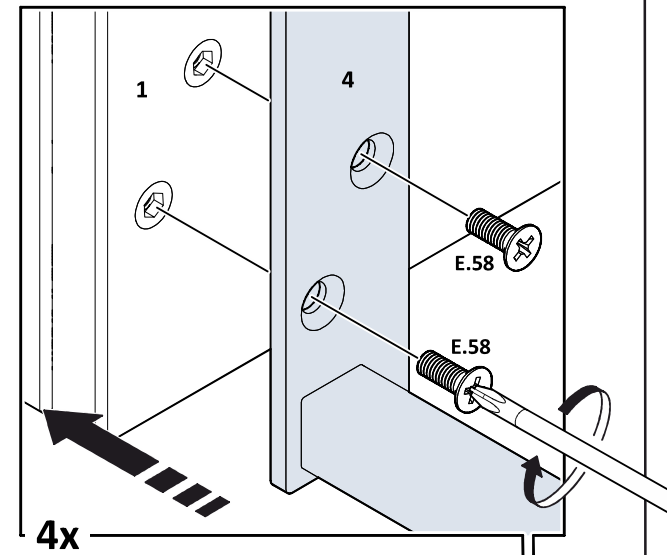
1

2

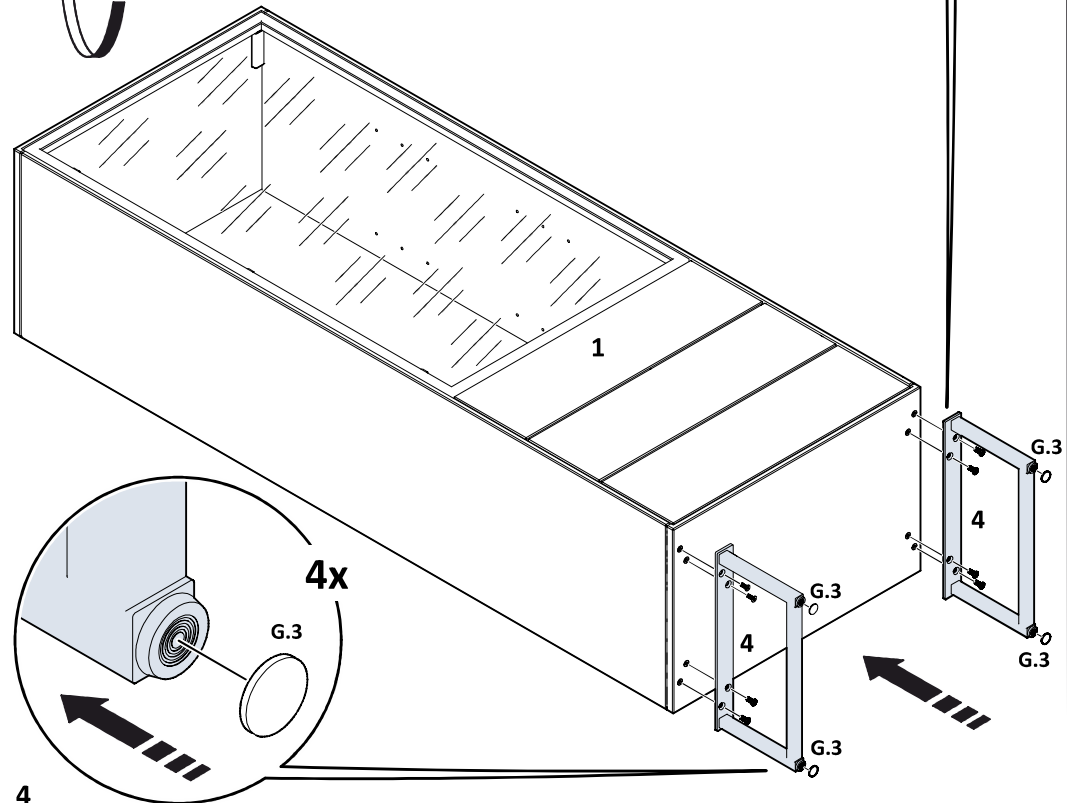


No		Sizes	Coll
1	x1	1650x620x400	1,1
2	x1	582x320x18	1,1
3	x2	582x320x6	1,1
4	x2	382x195x40	1,1
			1,1

1



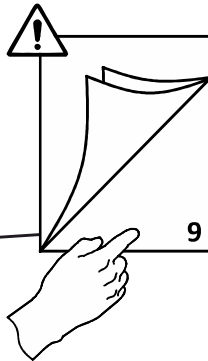
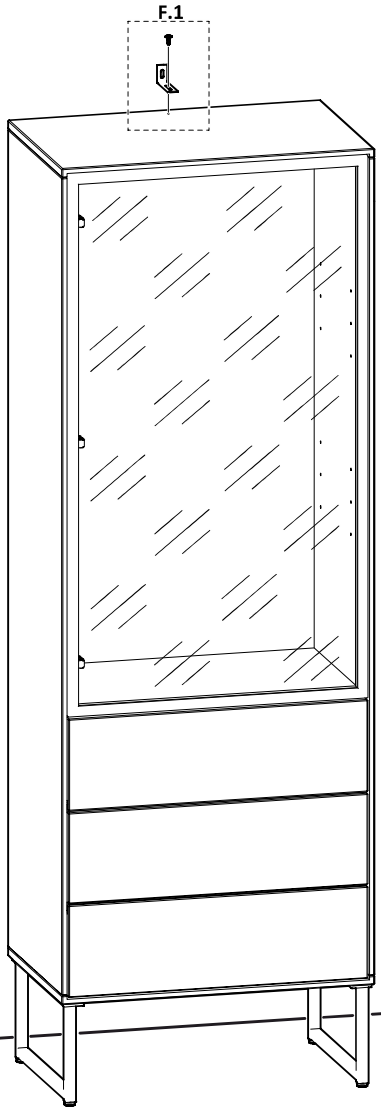
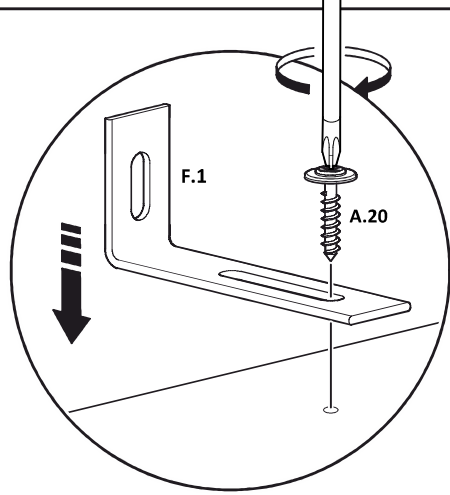
4x



4

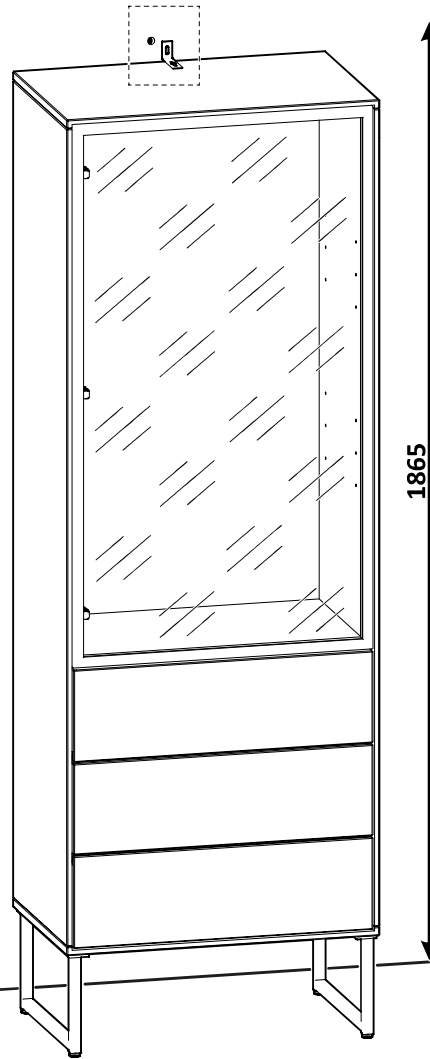
3

2

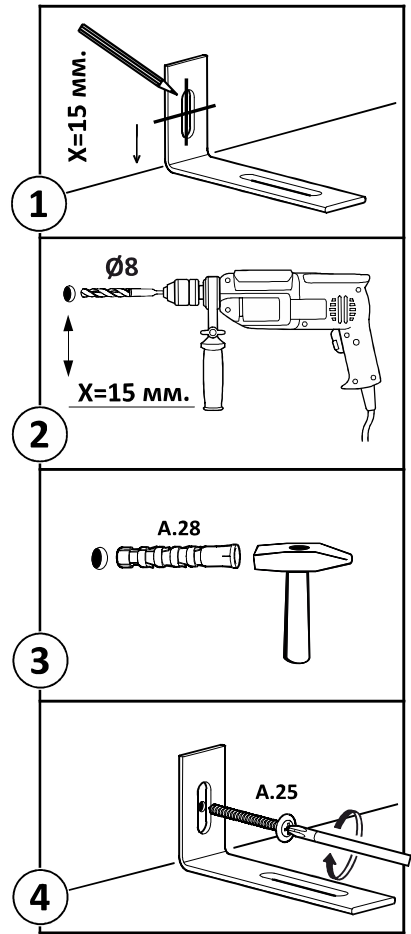


5

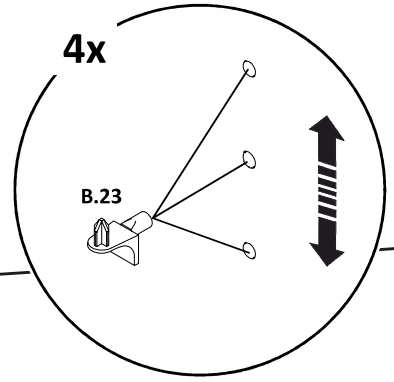
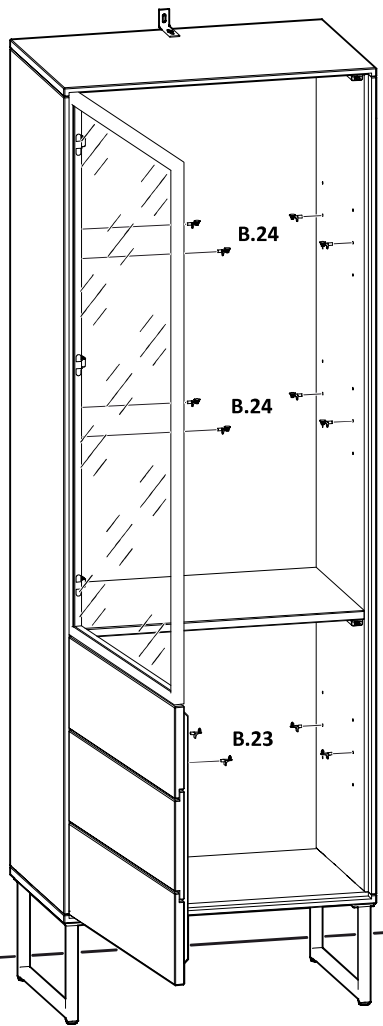
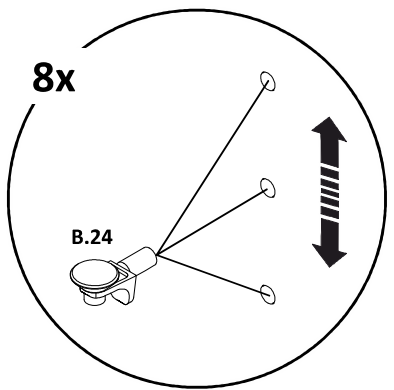
3



6

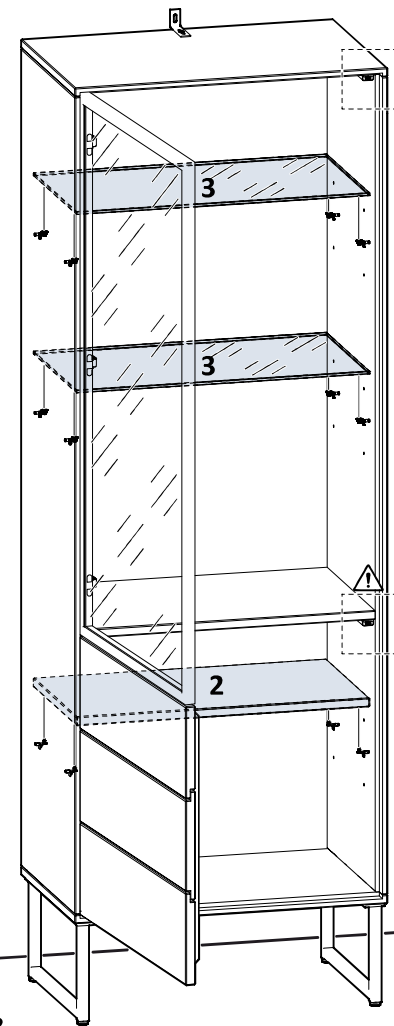
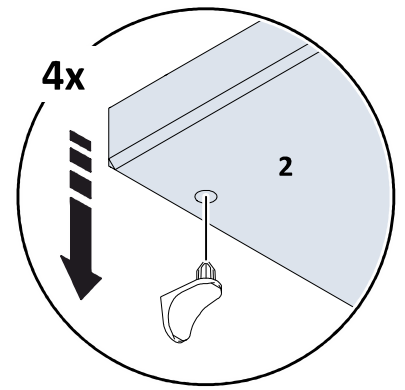
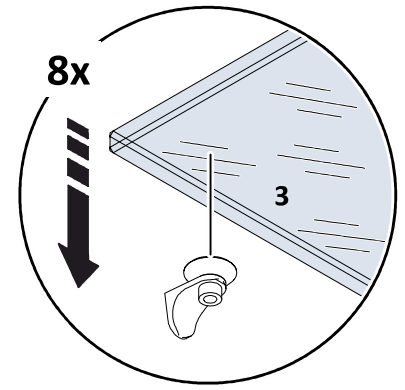
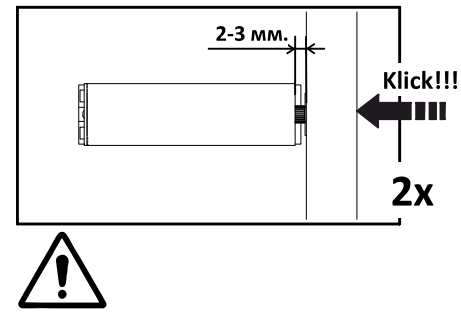


4

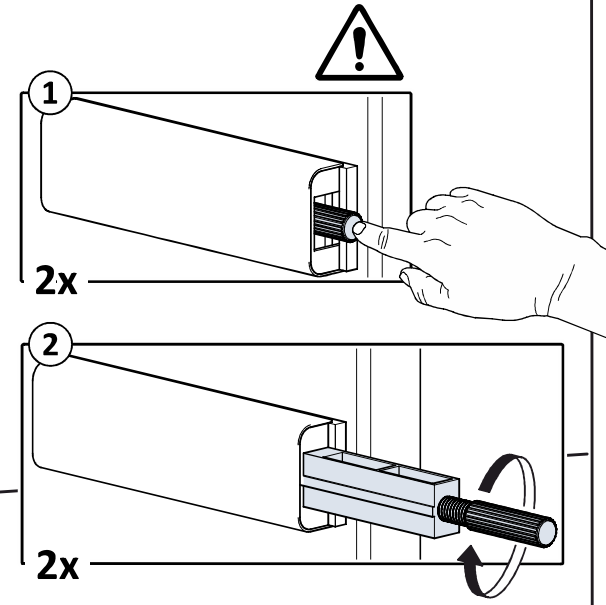


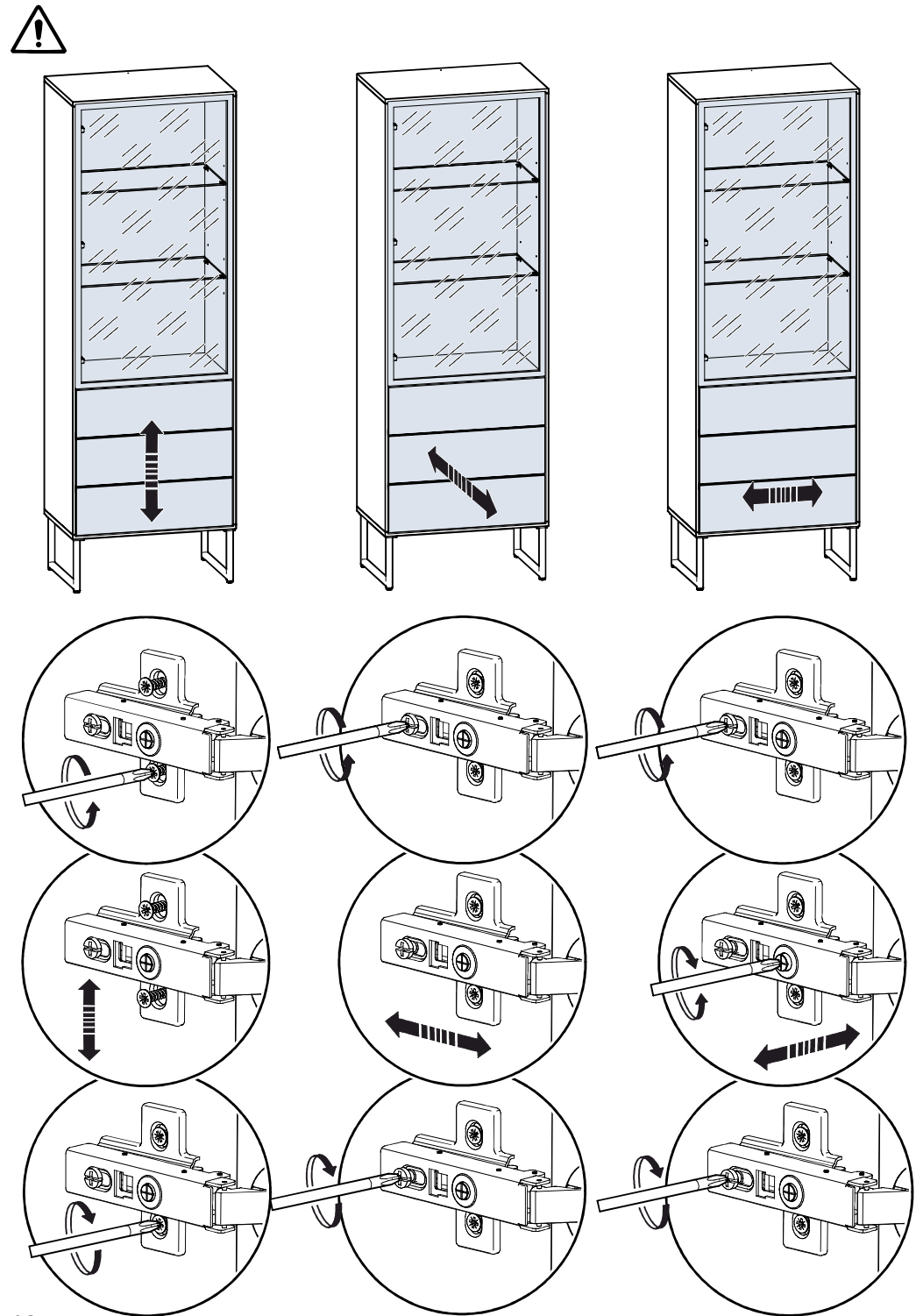
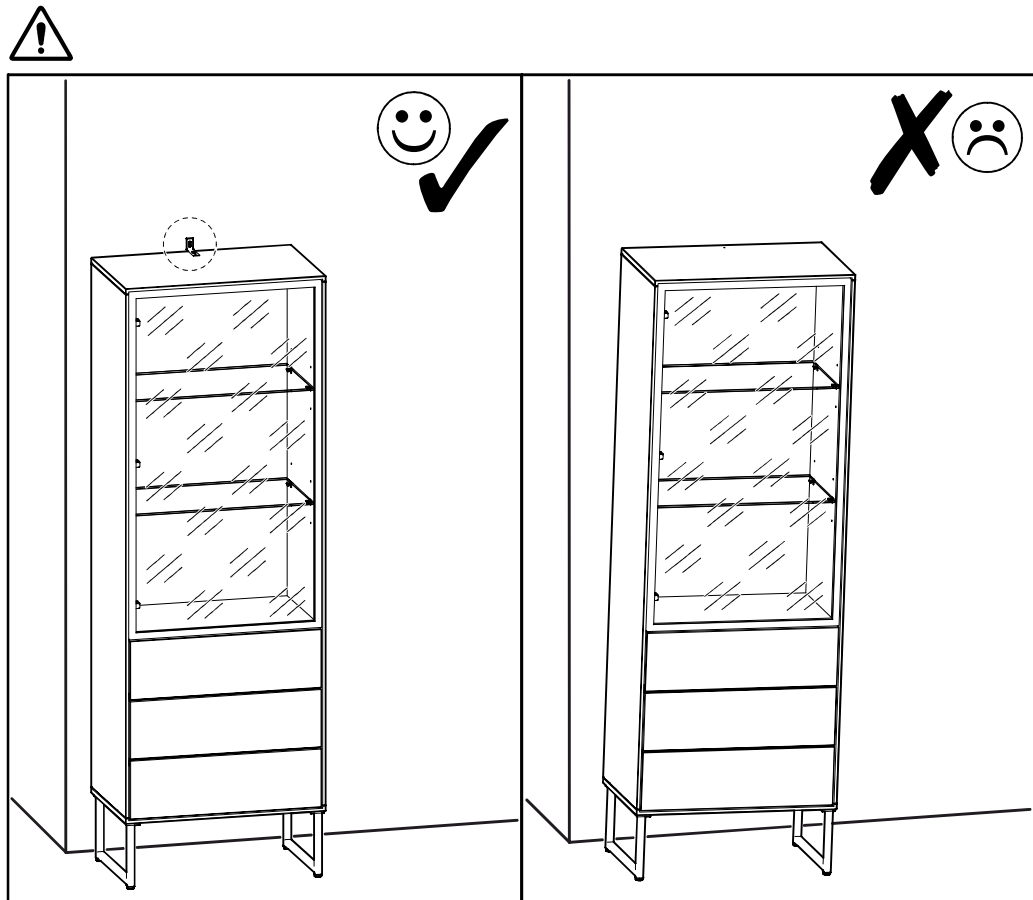
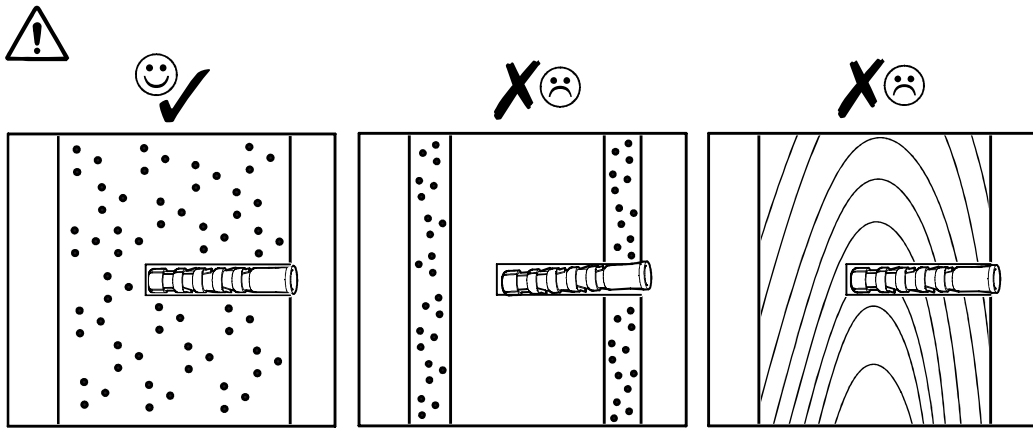
7

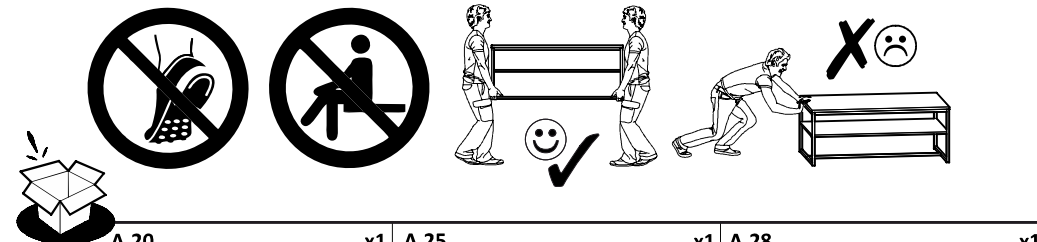
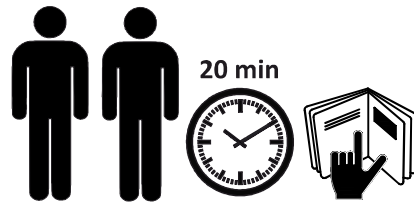
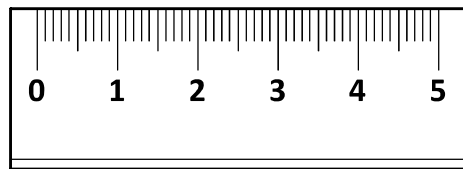
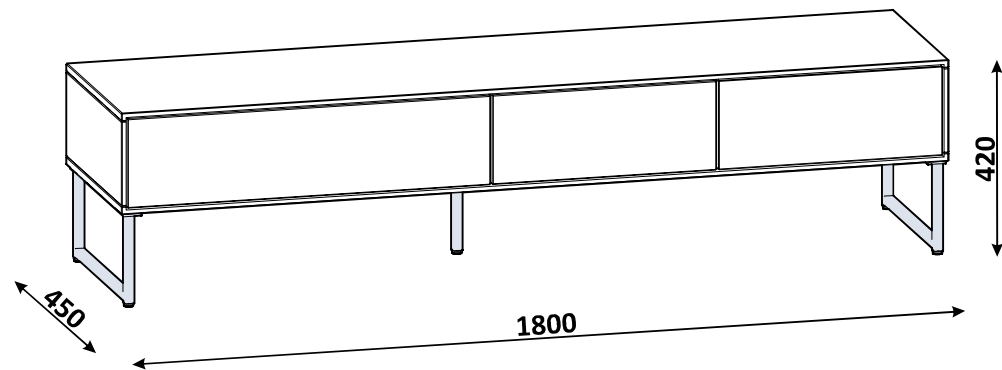
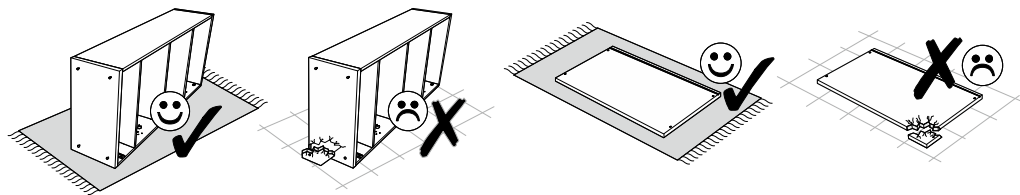
5

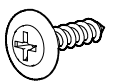
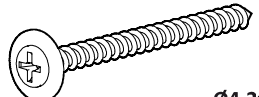
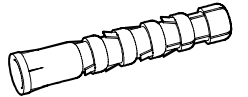
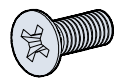
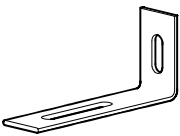




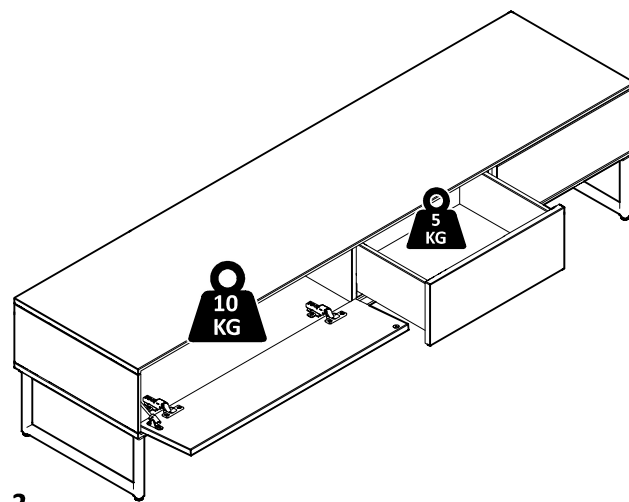
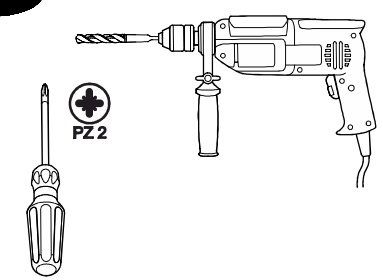
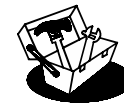
8





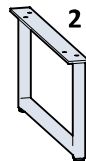
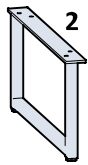
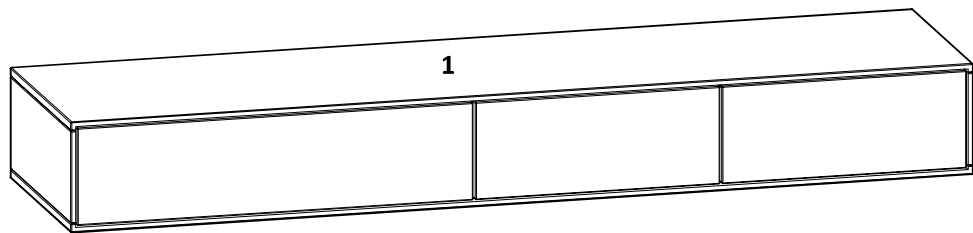


 A.20 x1 $\text{Ø}4.2 \times 16$	 A.25 x1 $\text{Ø}4.2 \times 51$	 A.28 x1 $\text{Ø}8 \times 50$
 E.58 x10 M6x16	 F.1 x1	 G.3 x1 $\text{Ø}20$
 G.1 x1		



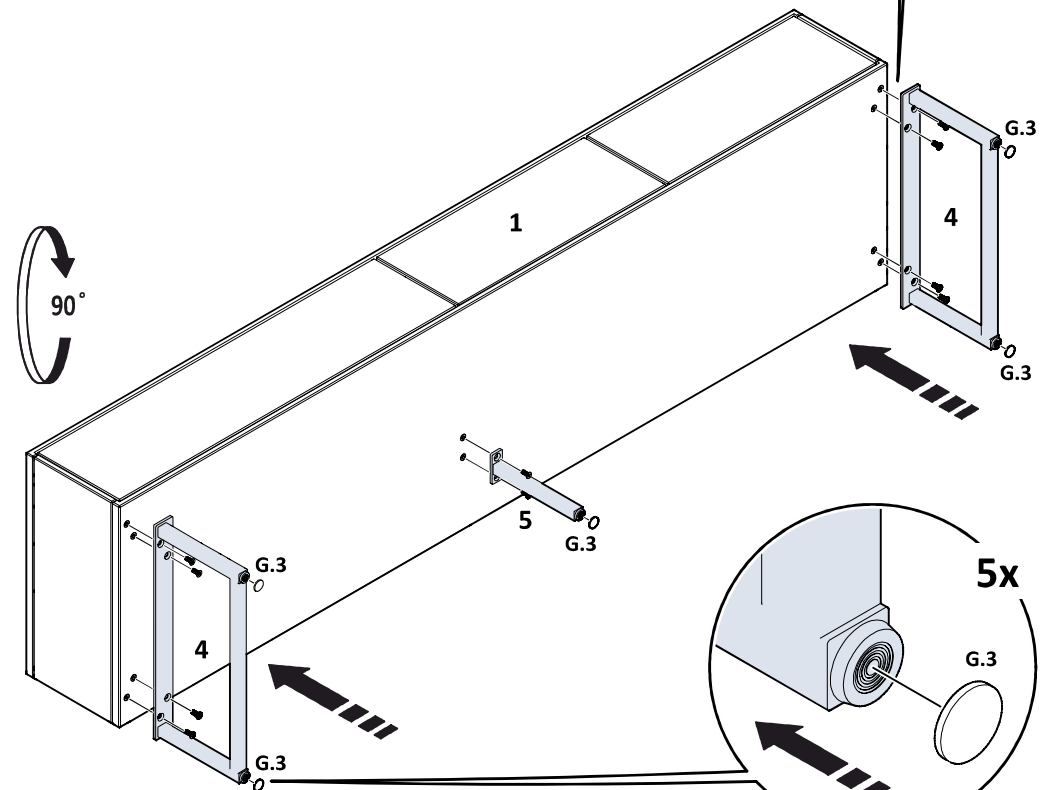
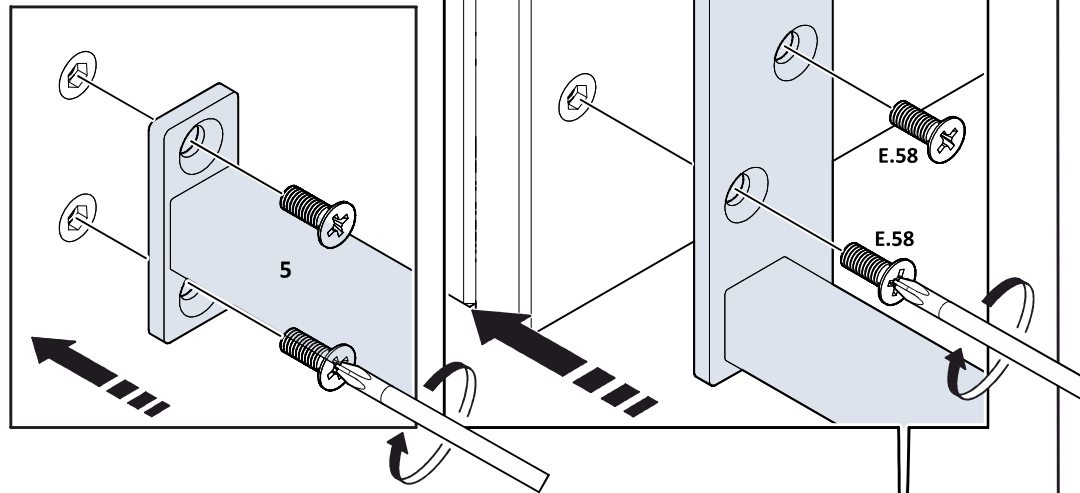
1

2



Nº		Sizes	Coll
1	x1	1160x1400x400	1,1
2	x2	382x195x40	1,1
3	x1	195x60x24	1,1
			1,1

1



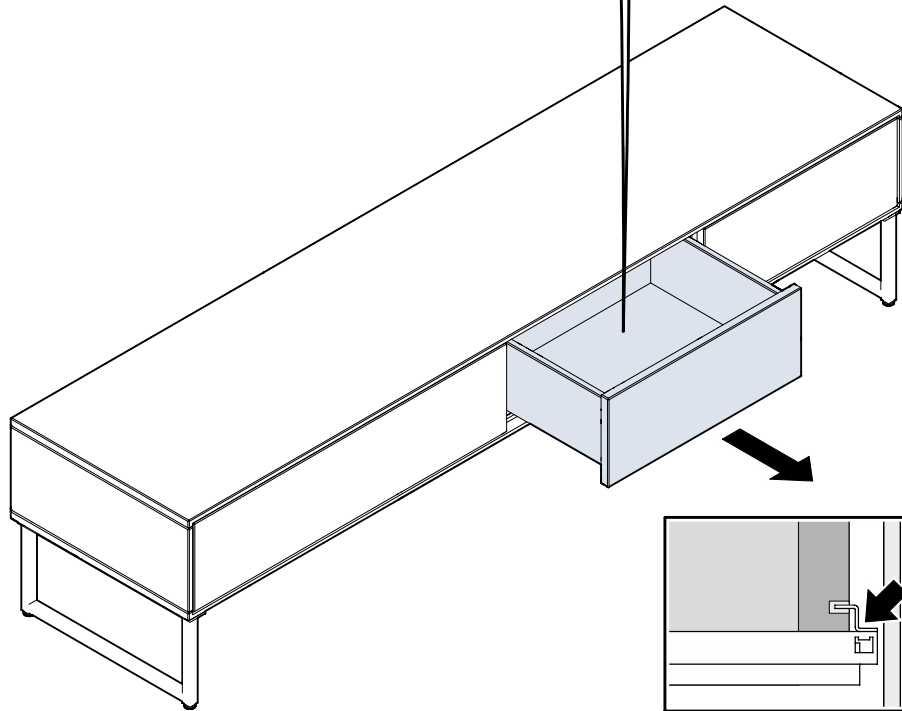
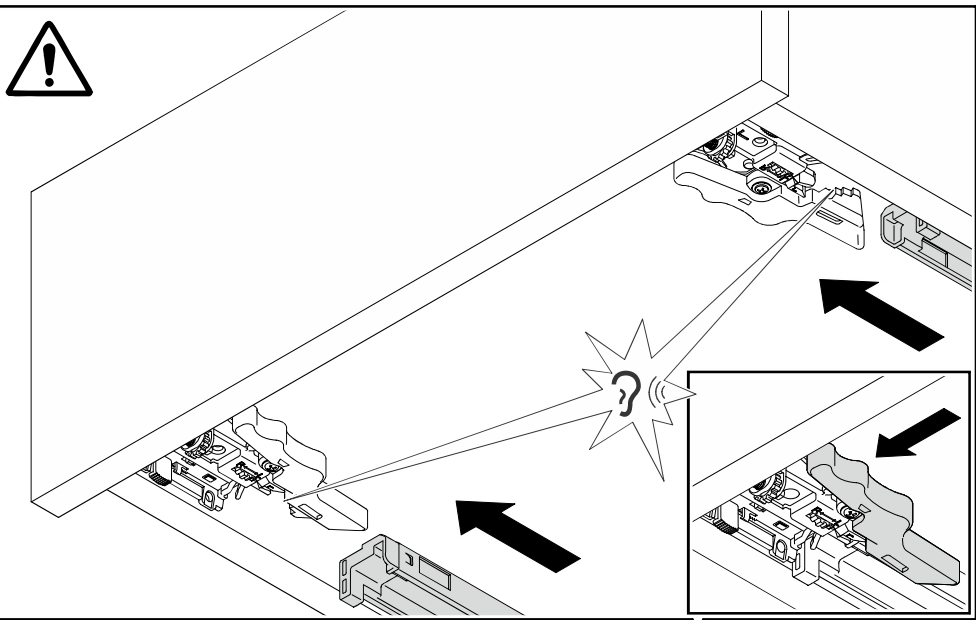
4

3

4x

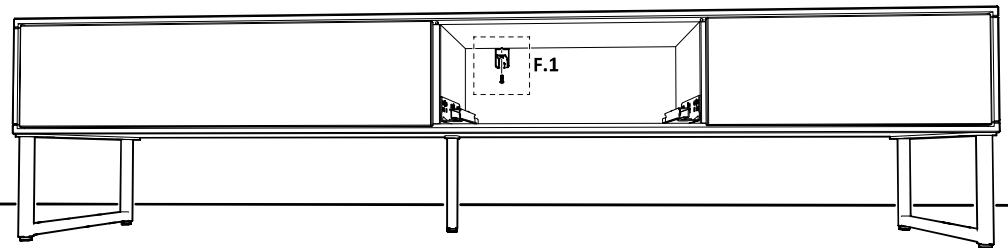
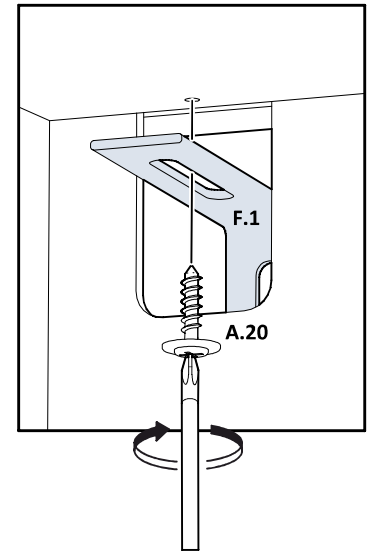
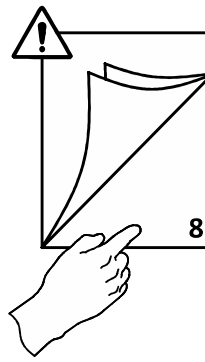
5x

2



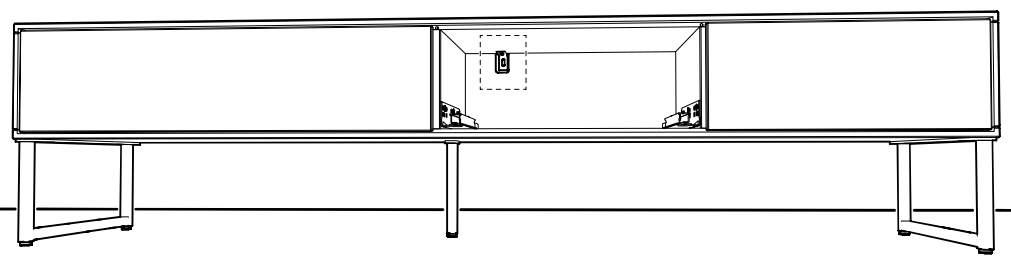
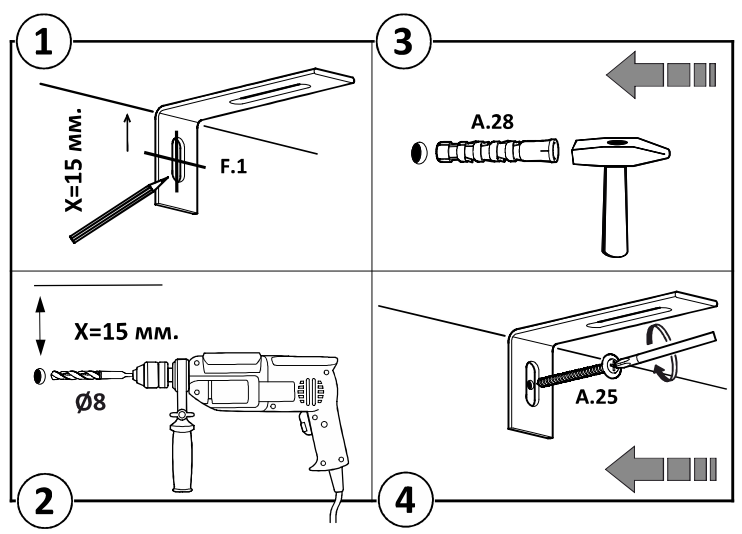
5

3



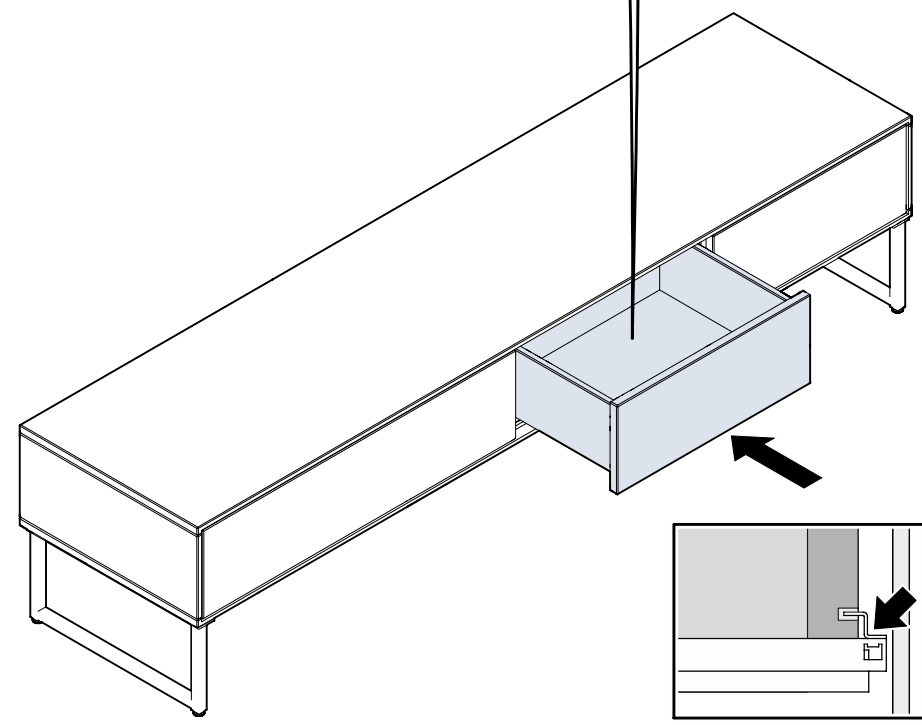
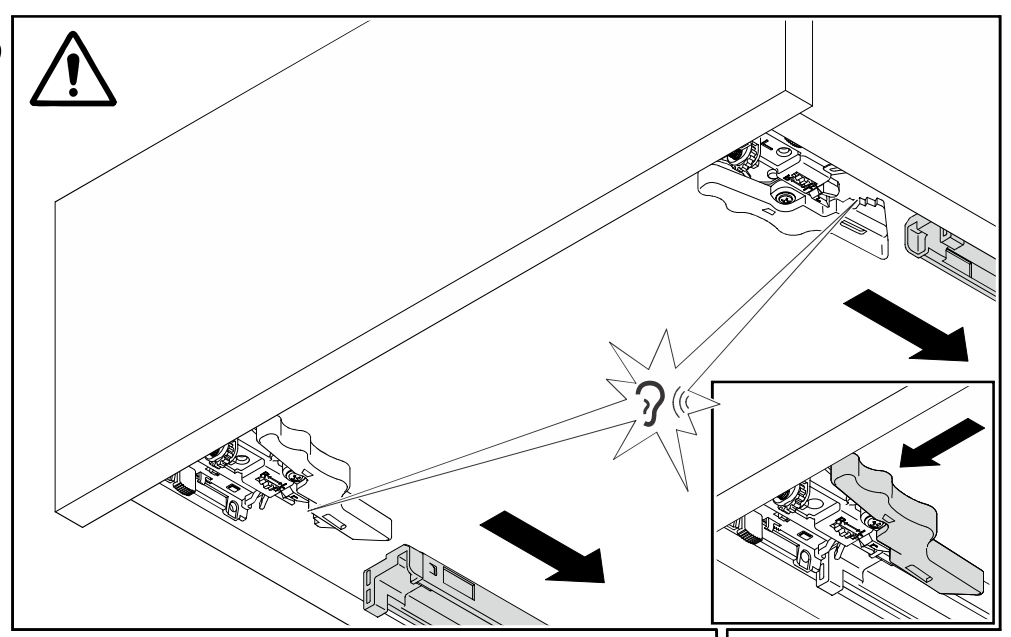
6

4



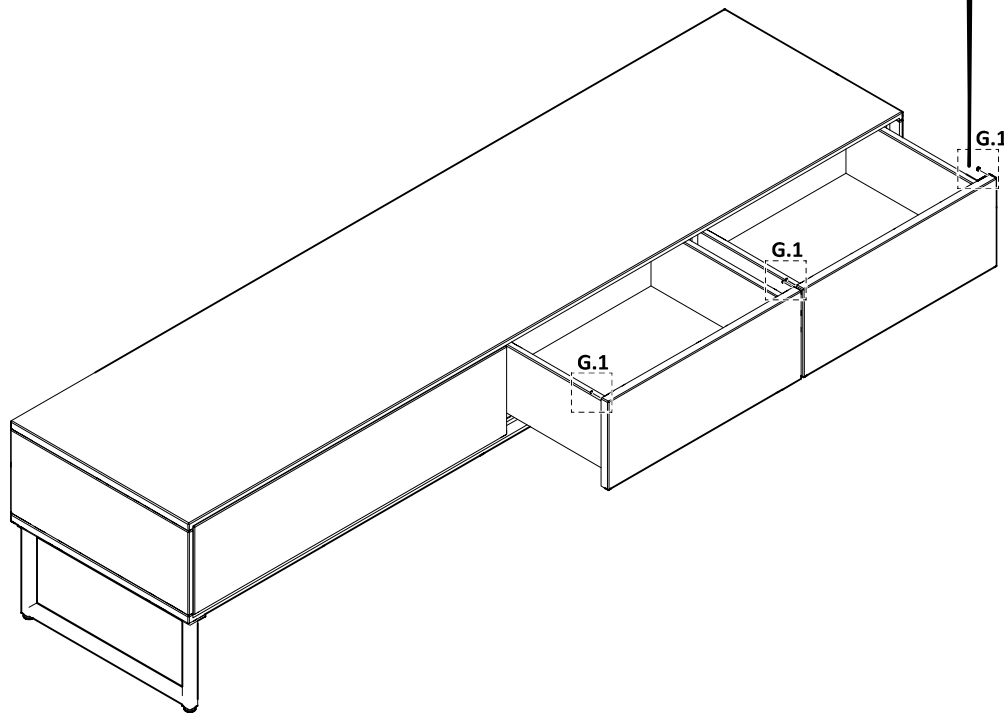
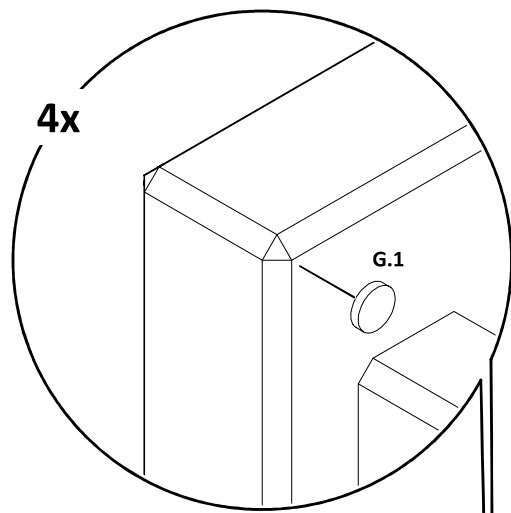
7

5

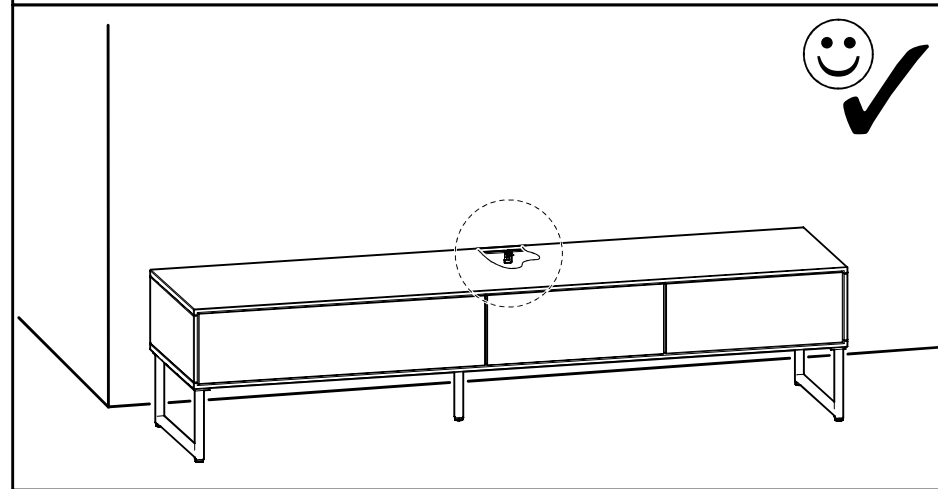
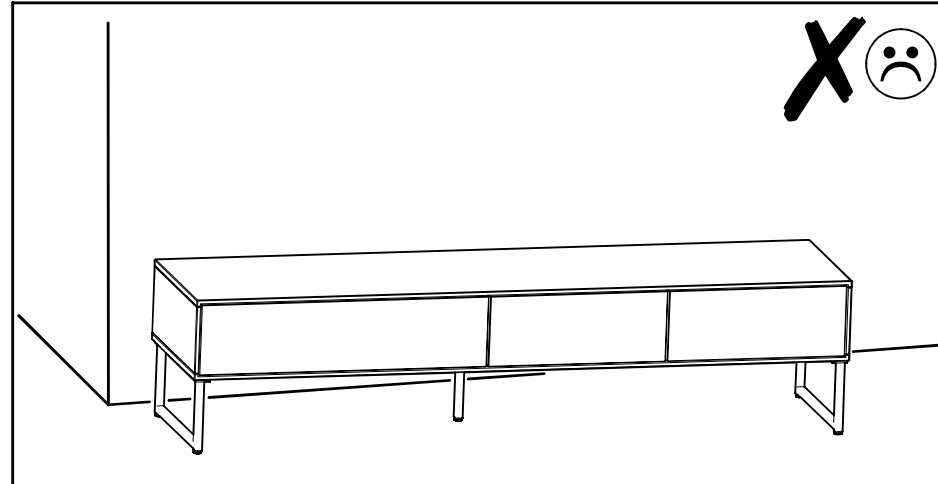
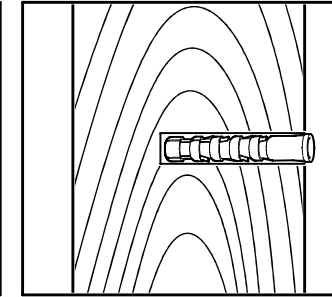
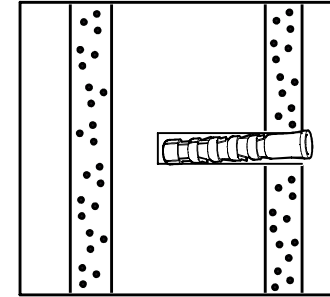
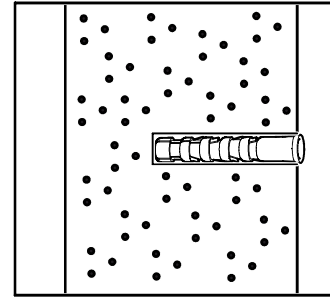


8

6



9



10