

Hardware



M6*12mm

A

12x



M6*12mm

B

4x



M6*16mm

C

4x



D

8x



E

1x



F

1x

Components



G

1x



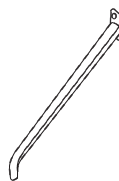
H

1x



I

1x



J

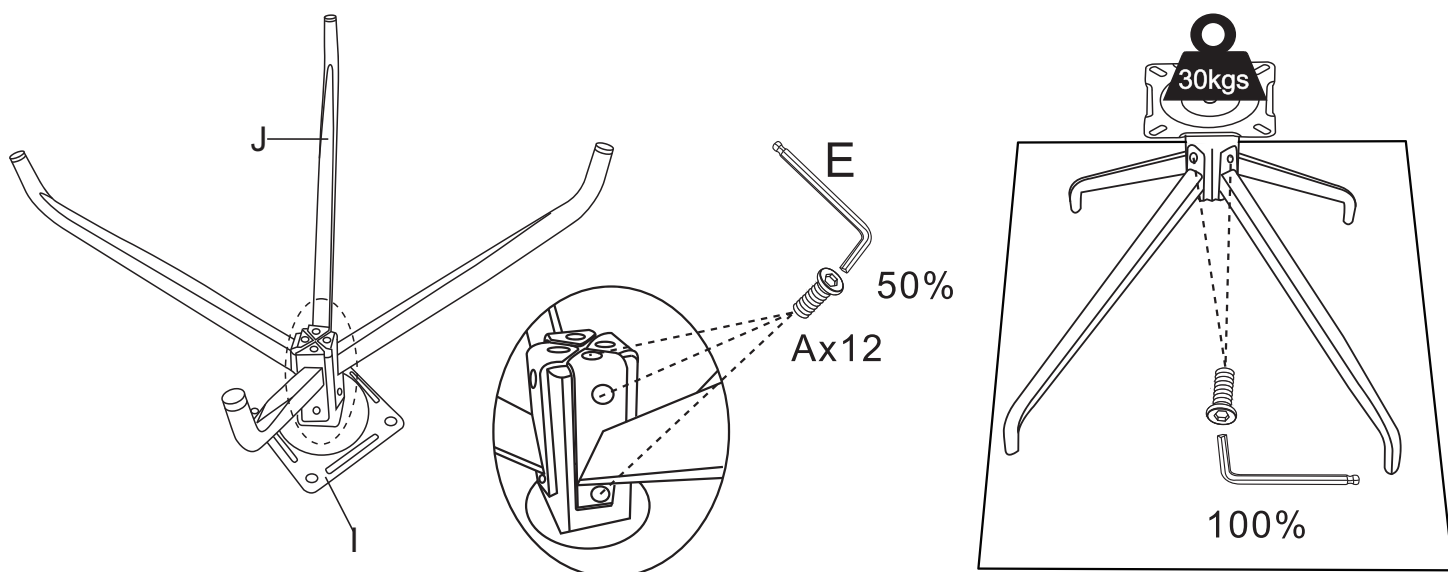
4x



K

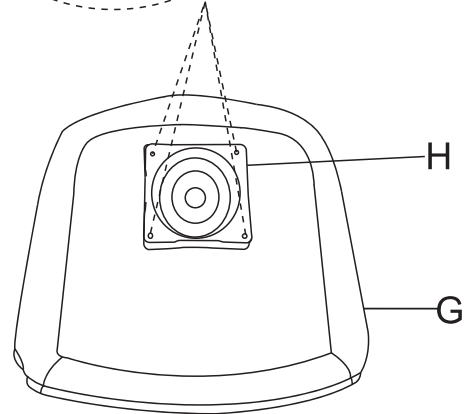
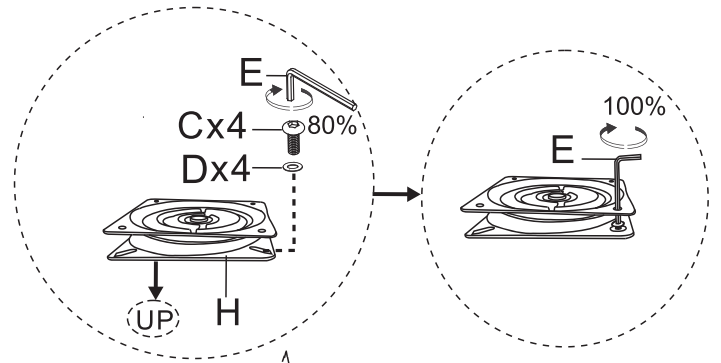
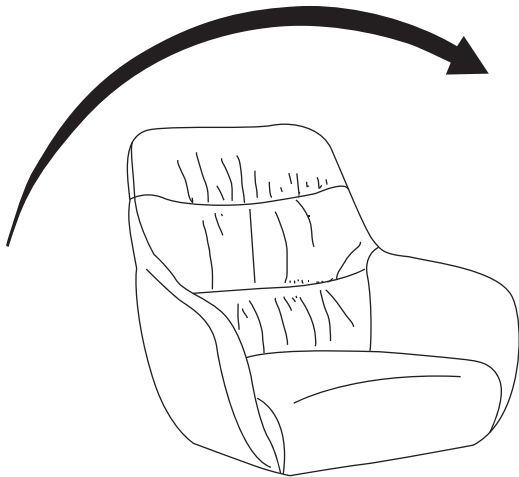
1x

Step 1



DEXTER

Step 2



Step 3

