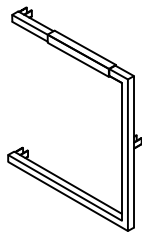
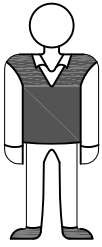




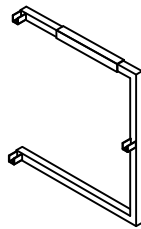
Linda-Dining

BANK: 62-371-94-A

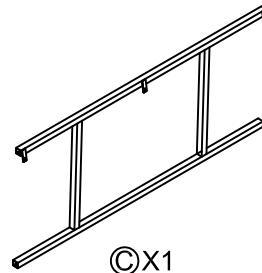
1 PERSON



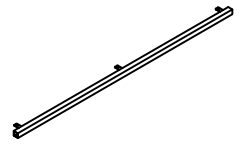
A X1



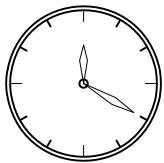
B X1



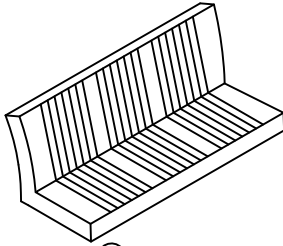
C X1



D X1



20min



E X1



M6\*20mm

F X18



Ø16\*6mm

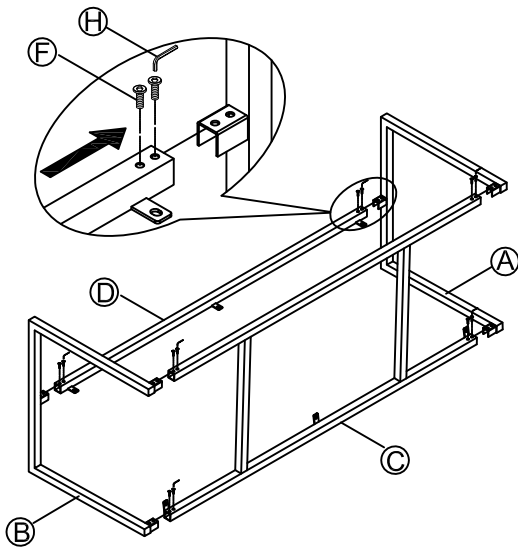
G X6



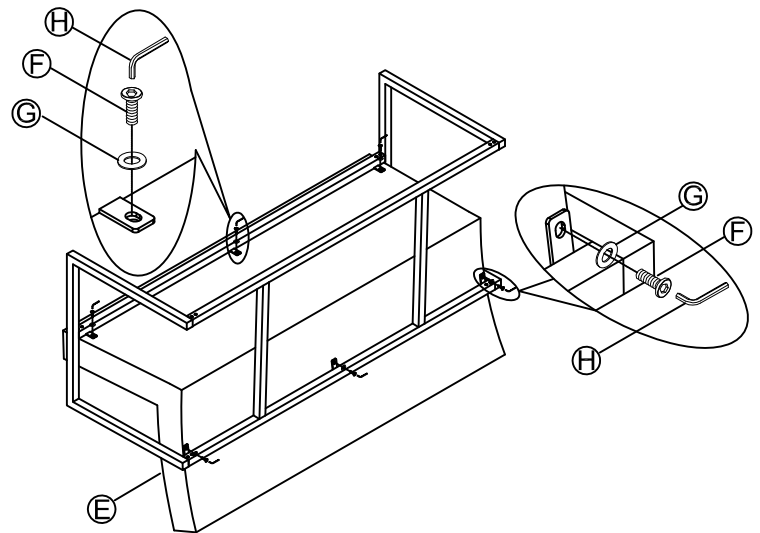
4mm

H X1

1



2



3

