

MINGUS

Hardware



M6*12mm

A

12x



M6*12mm

B

4x



C

4x



D

1x

Components



E

1x



F

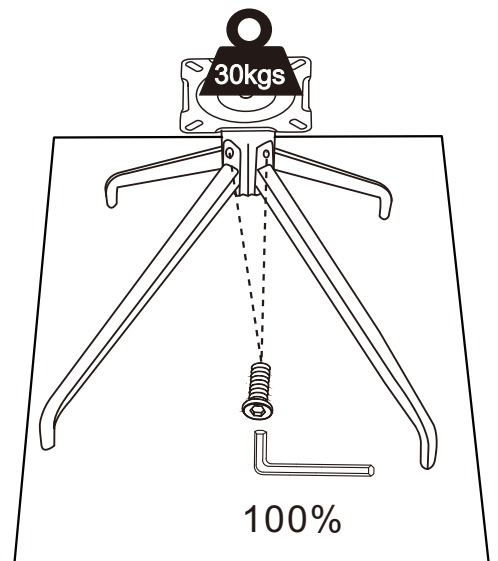
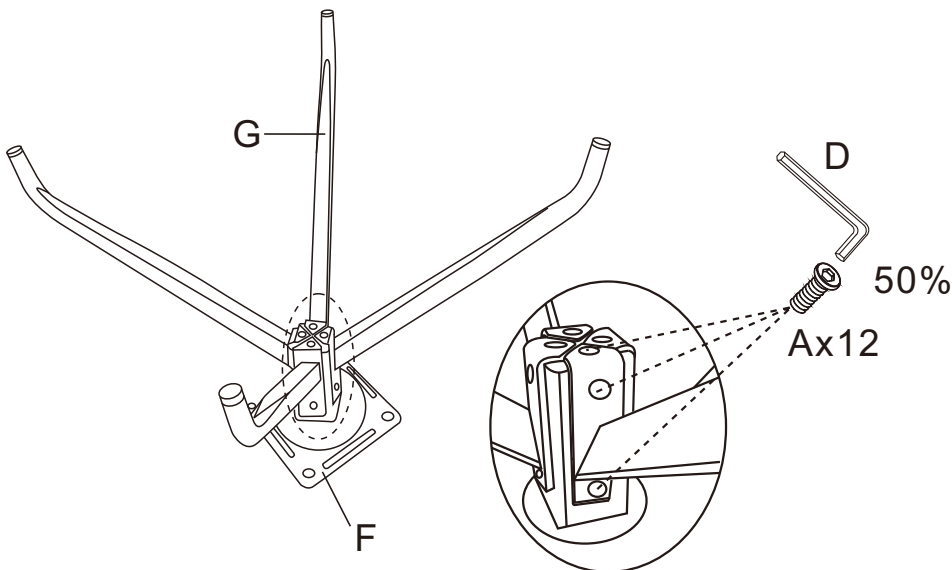
1x



G

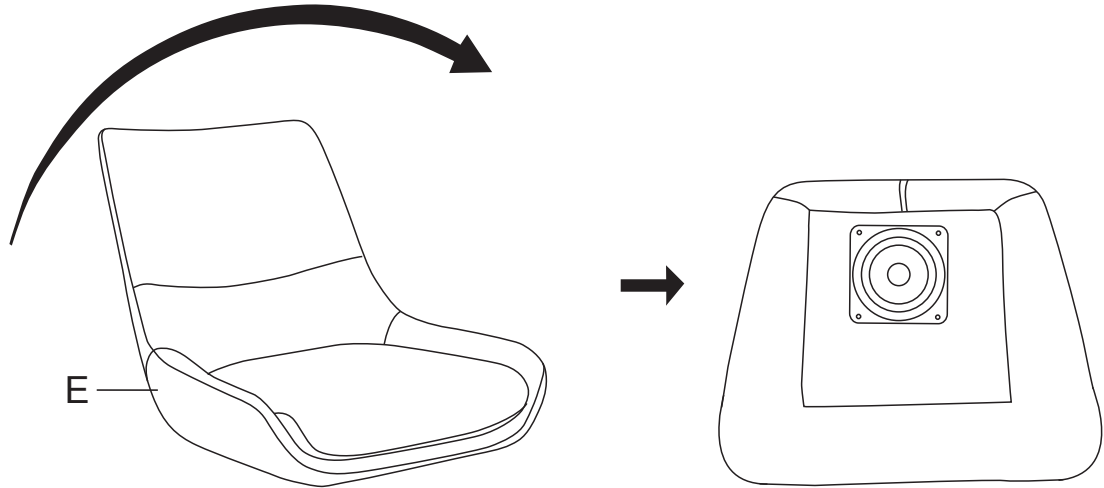
4x

Step 1

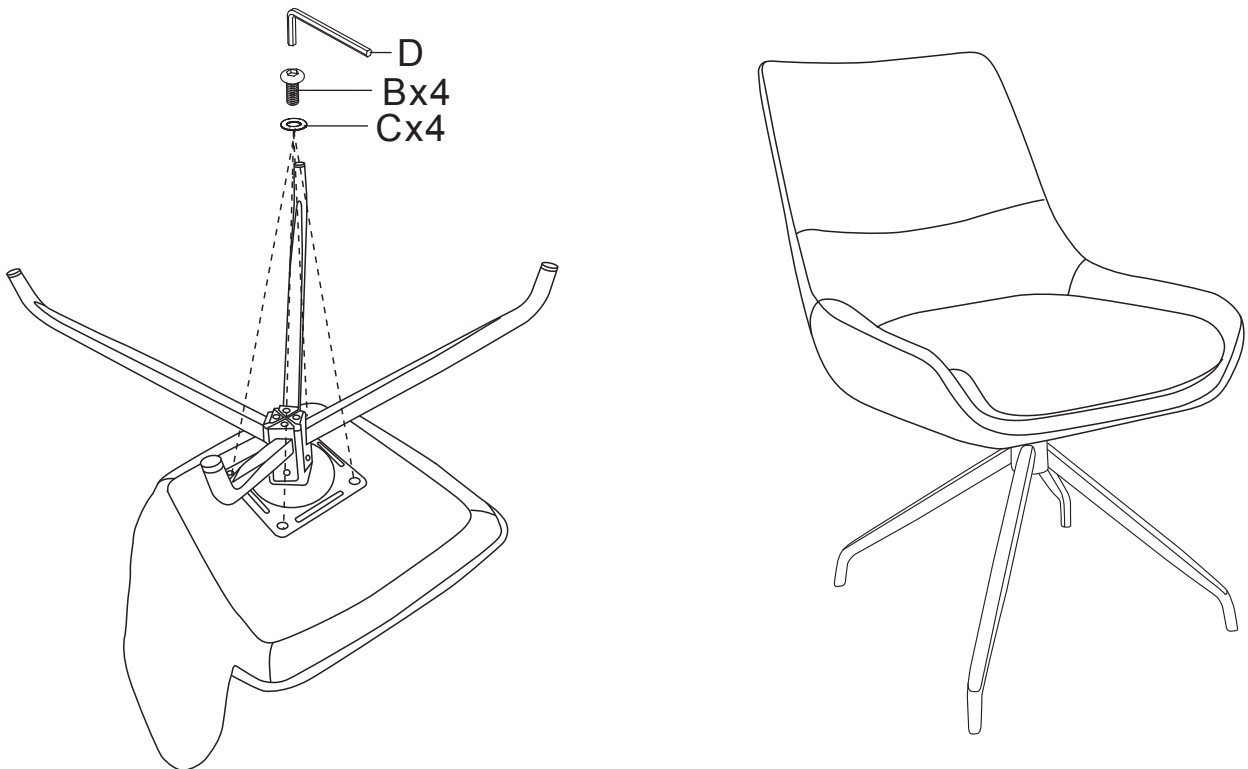


MINGUS

Step 2








Step 3







MINGUS ARMCHAIR

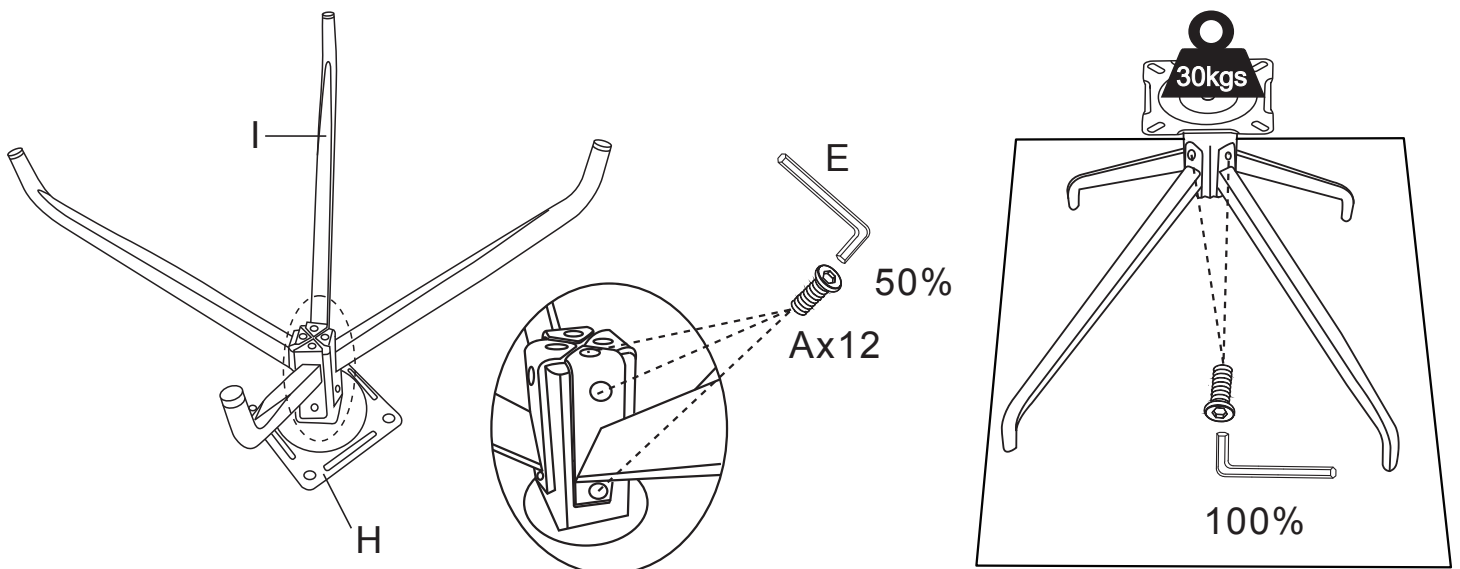
Hardware

				
M6*12mm	M6*12mm	M6*16mm		
A	B	C	D	E
12x	4x	4x	8x	1x

Components

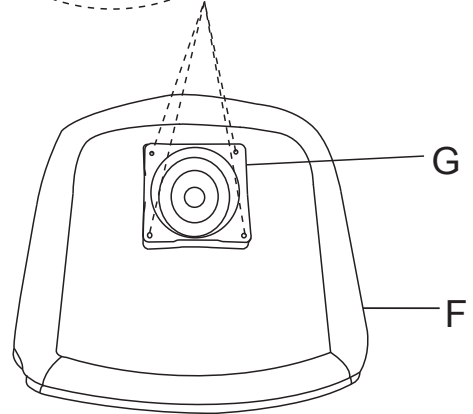
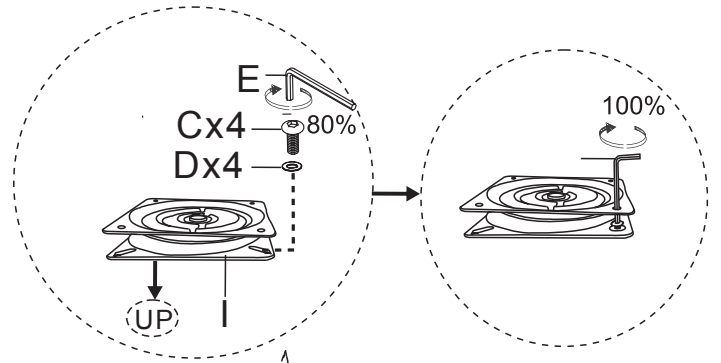
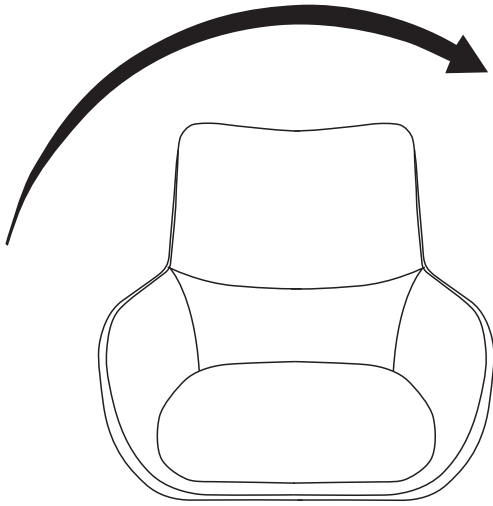
			
F	G	H	I
1x	1x	1x	4x

Step 1

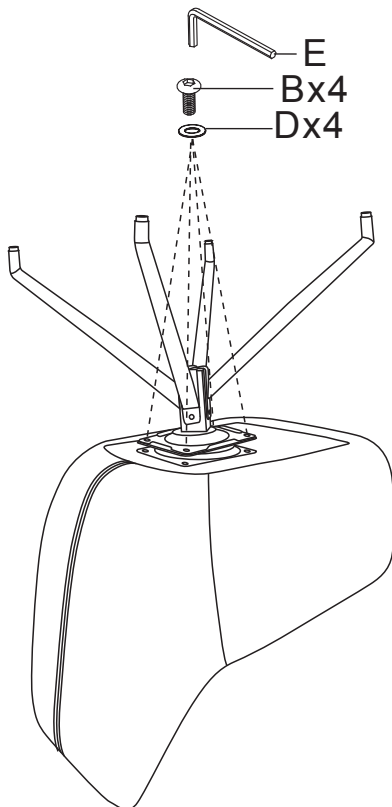


MINGUS ARMCHAIR

Step 2



Step 3



MINGUS BARSTOOL

Hardware



M6*18mm

A

4X



B

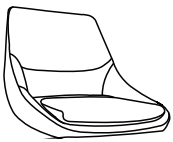
4X



C

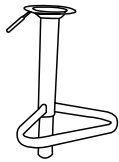
1X

Components



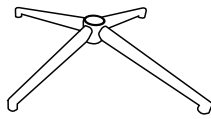
D

1X



E

1X



F

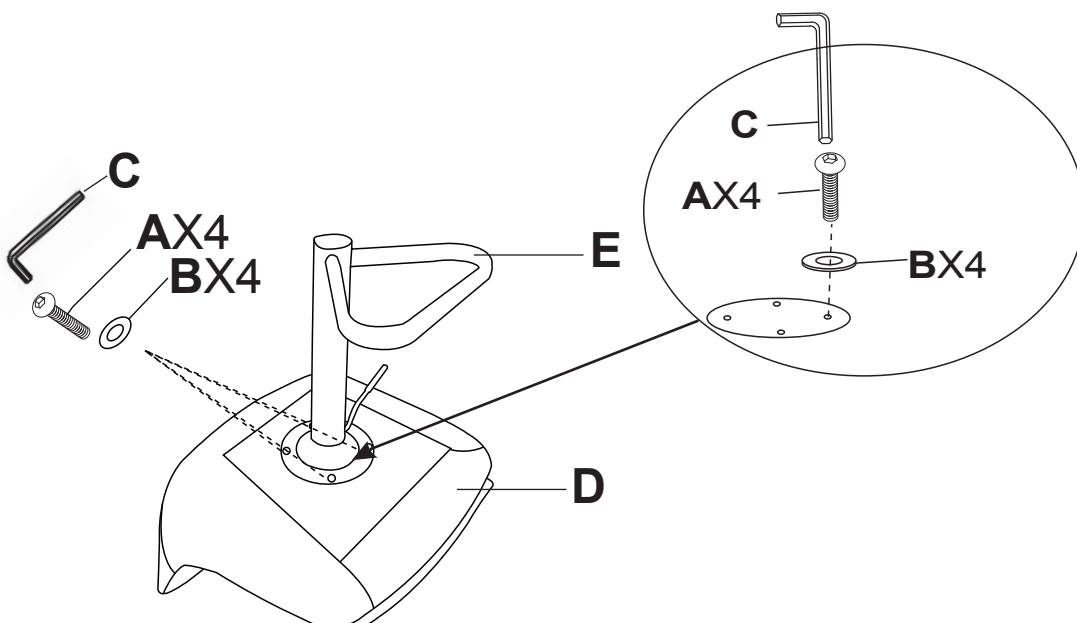
1X



G

1X

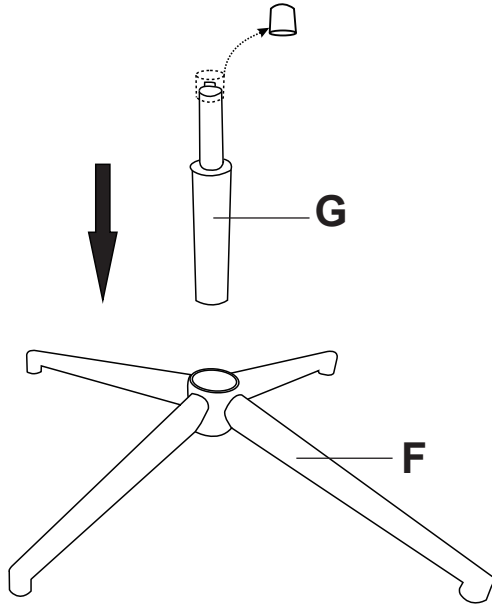
Step 1



MINGUS BARSTOOL

Step 2

Please remove the cap first



Step 3

