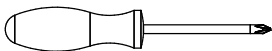
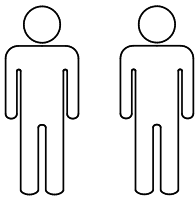
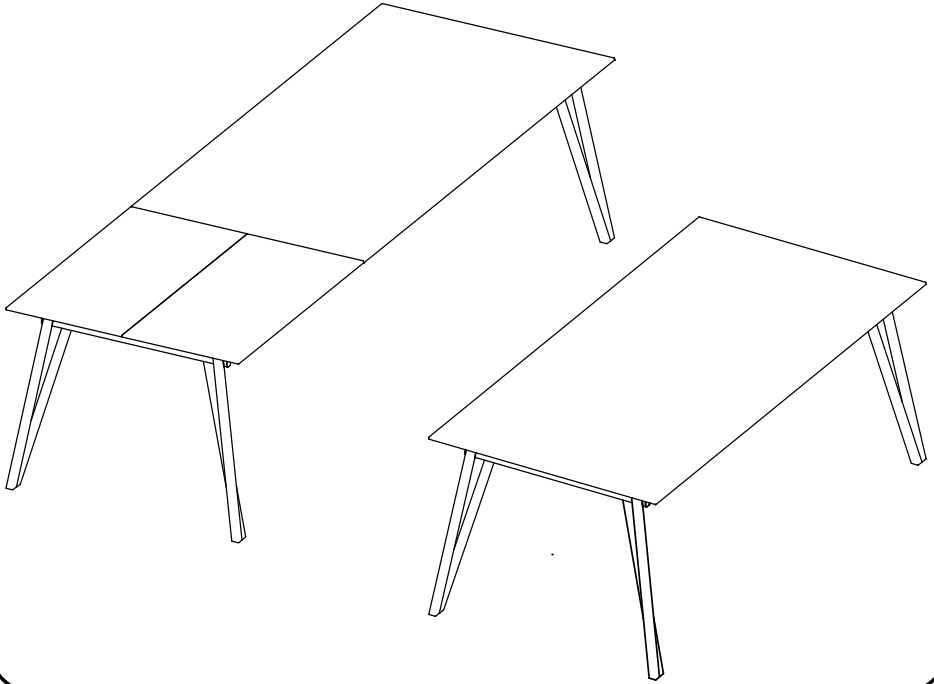
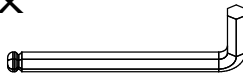


# mobitec

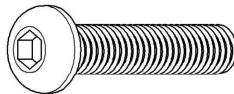
brest tables family



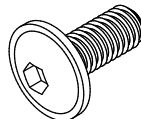
1 x



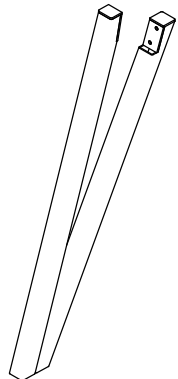
16 x

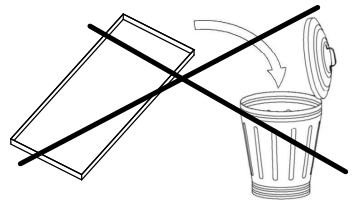
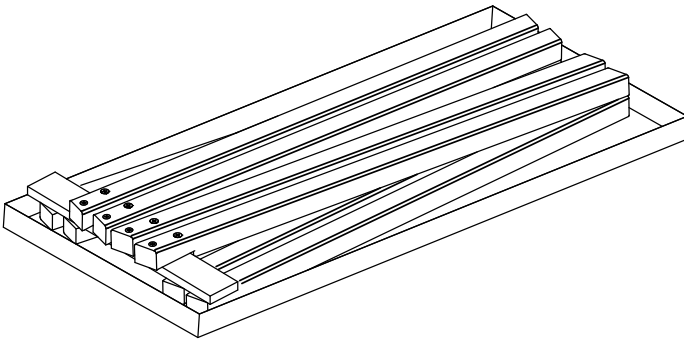
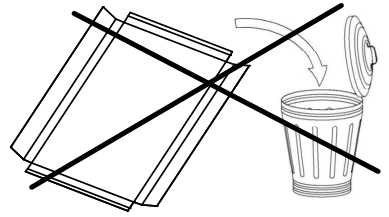
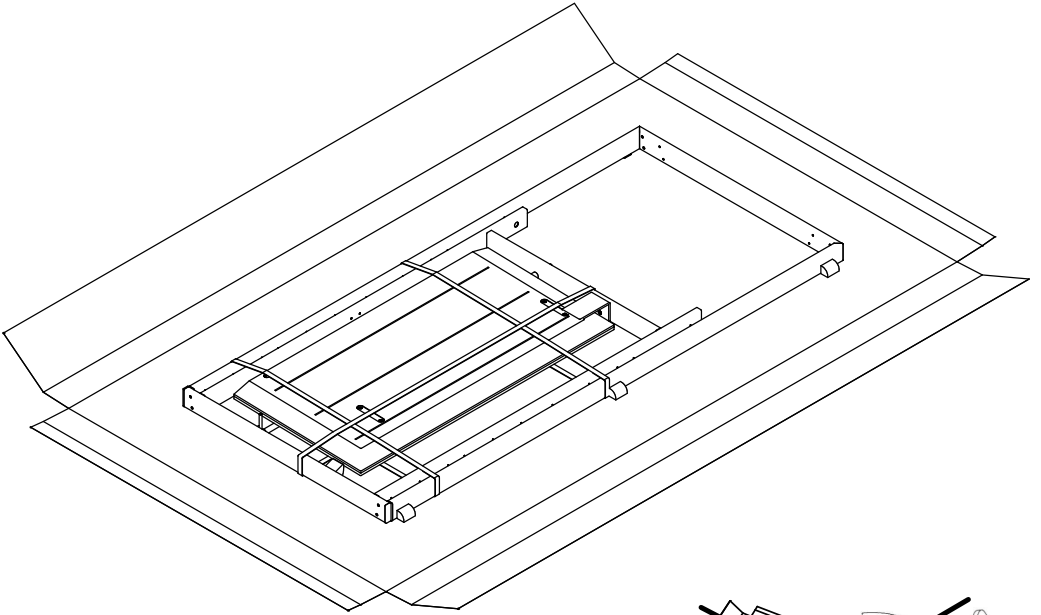


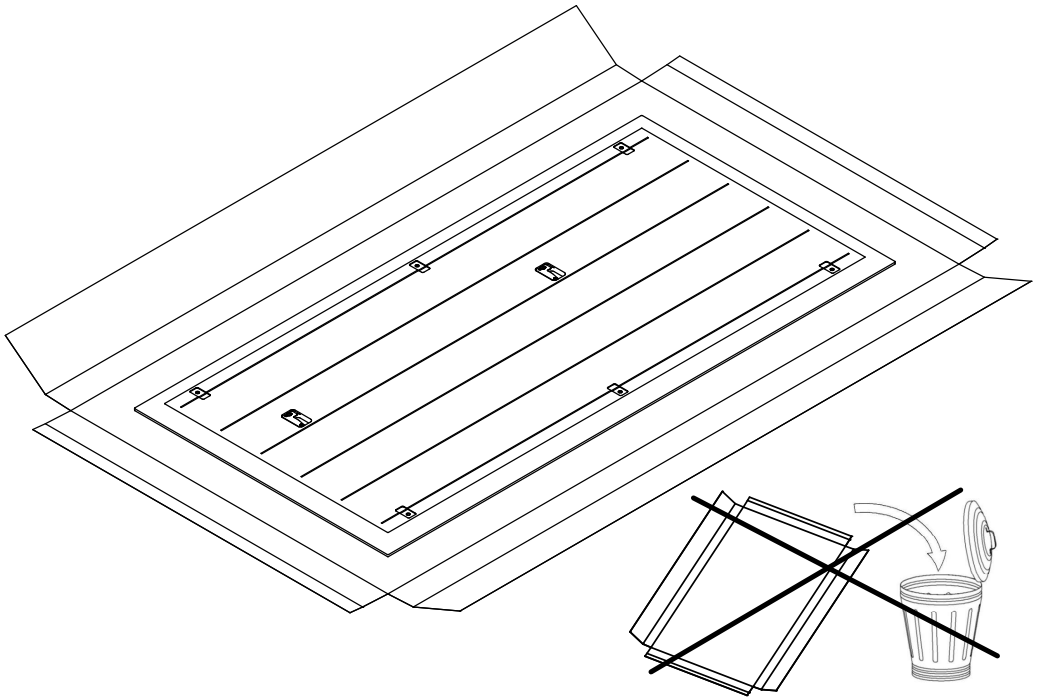
6 x



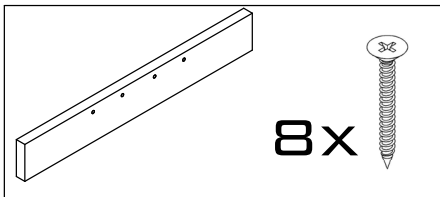
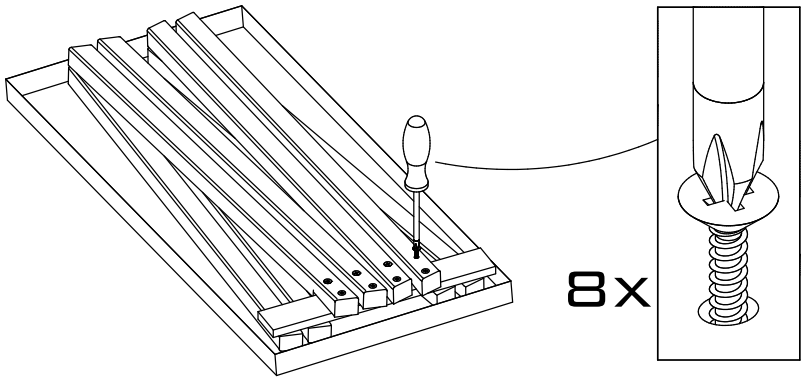
4 x



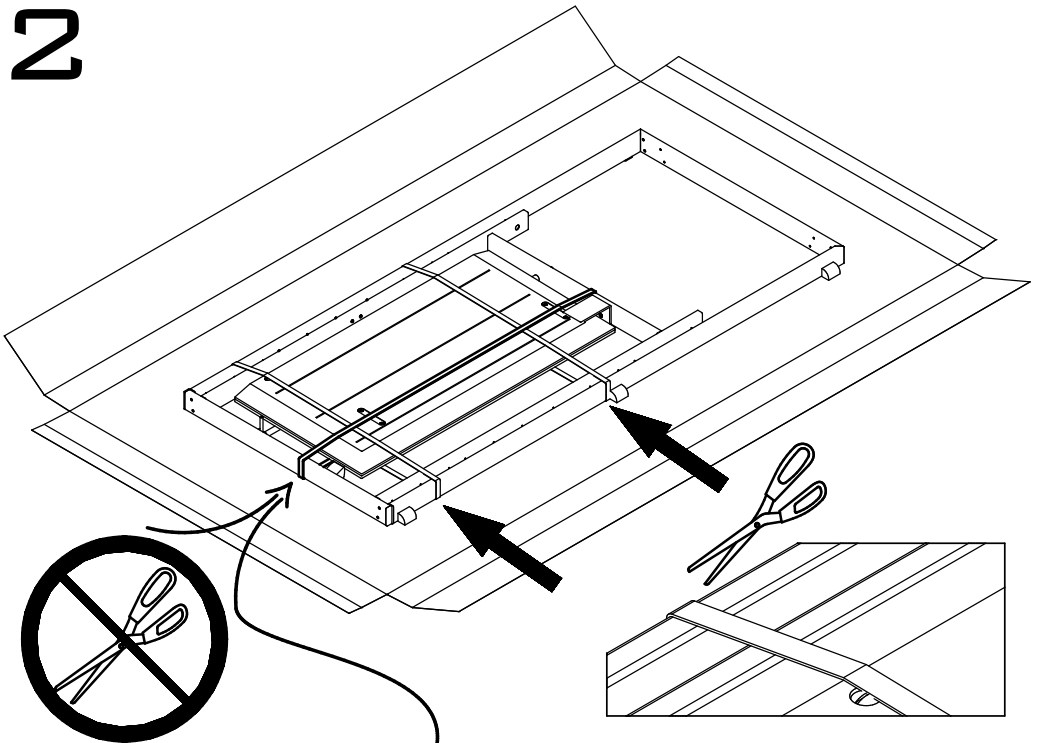




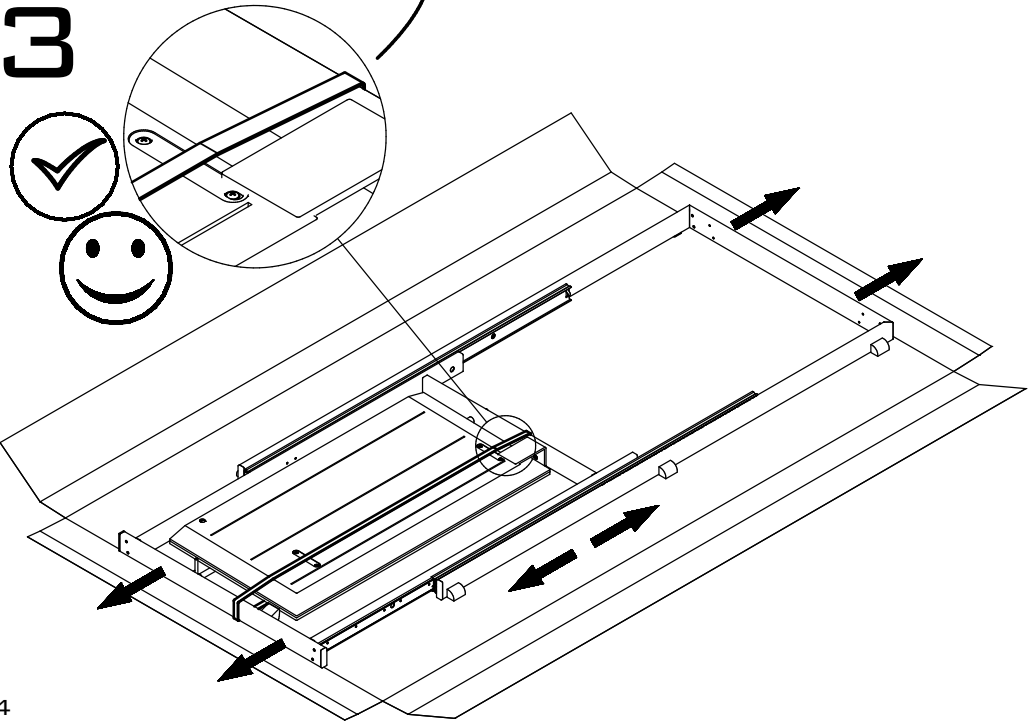
1



# 2

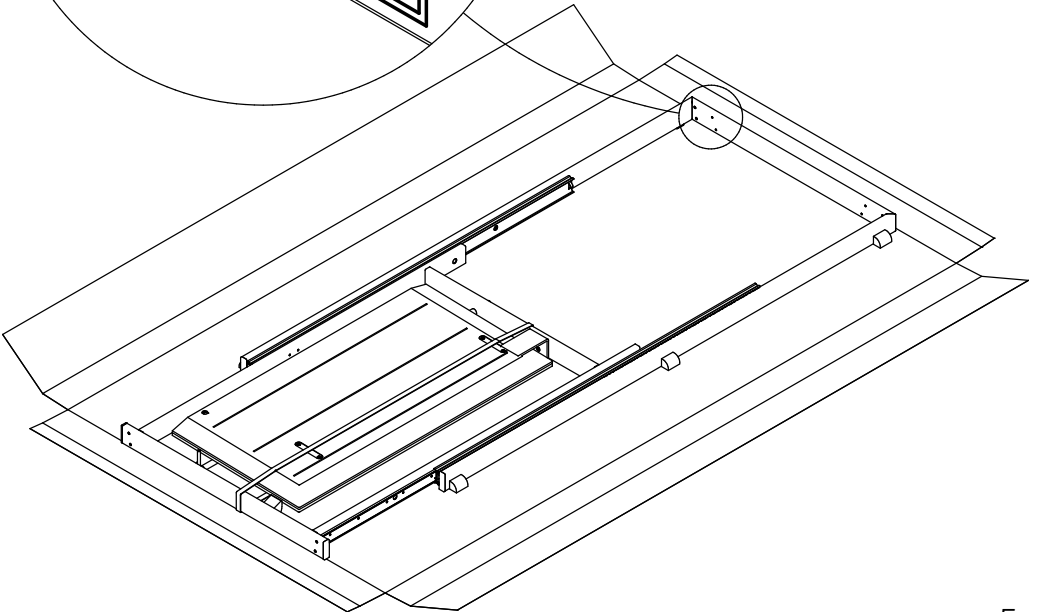
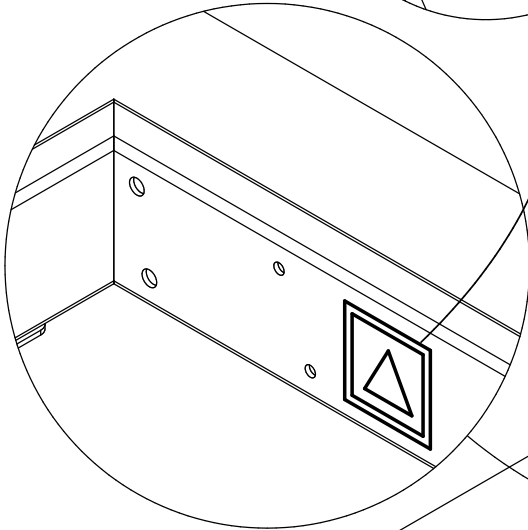
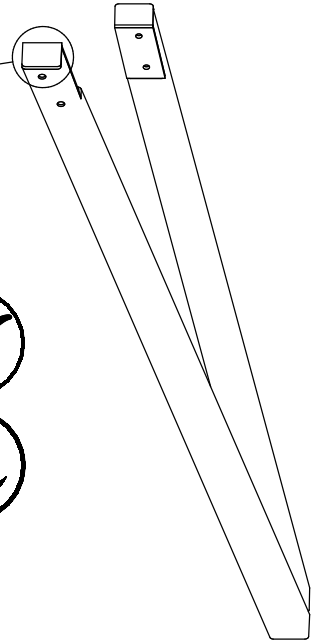
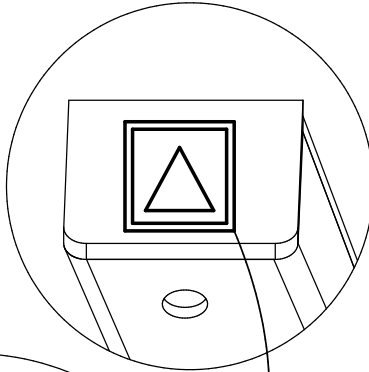
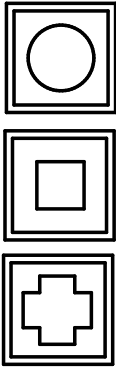


# 3

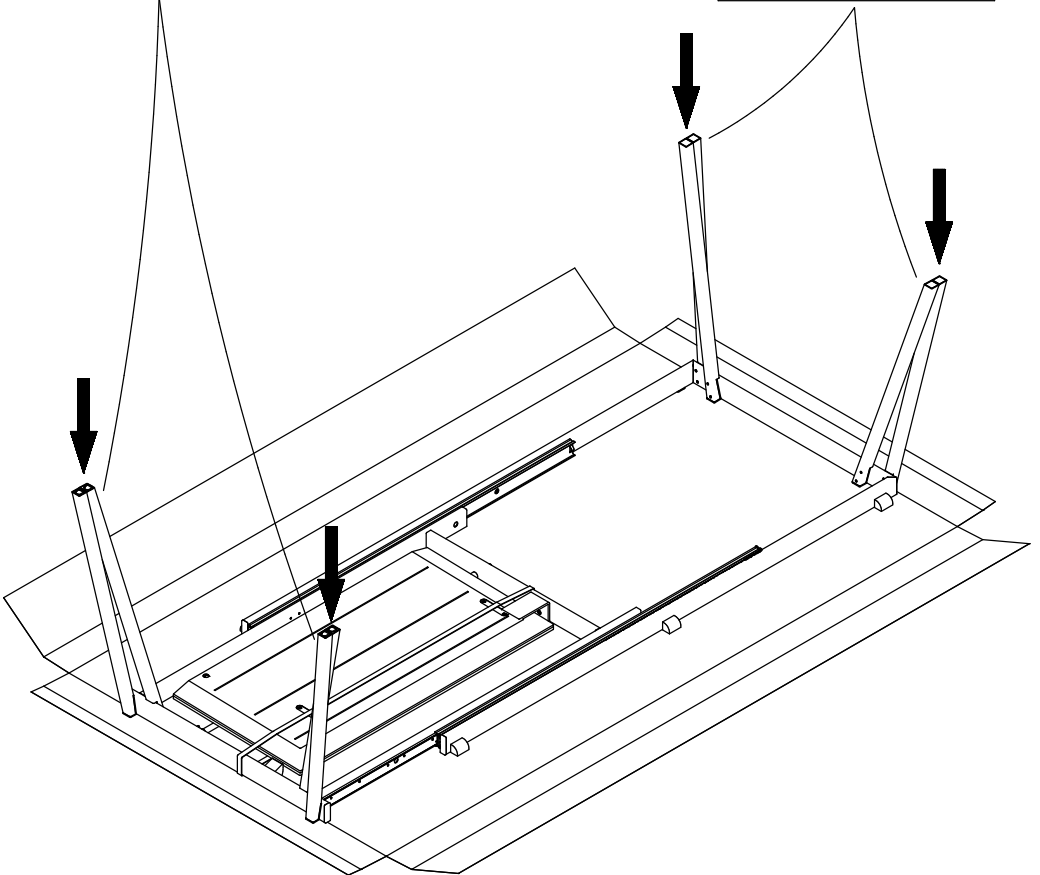
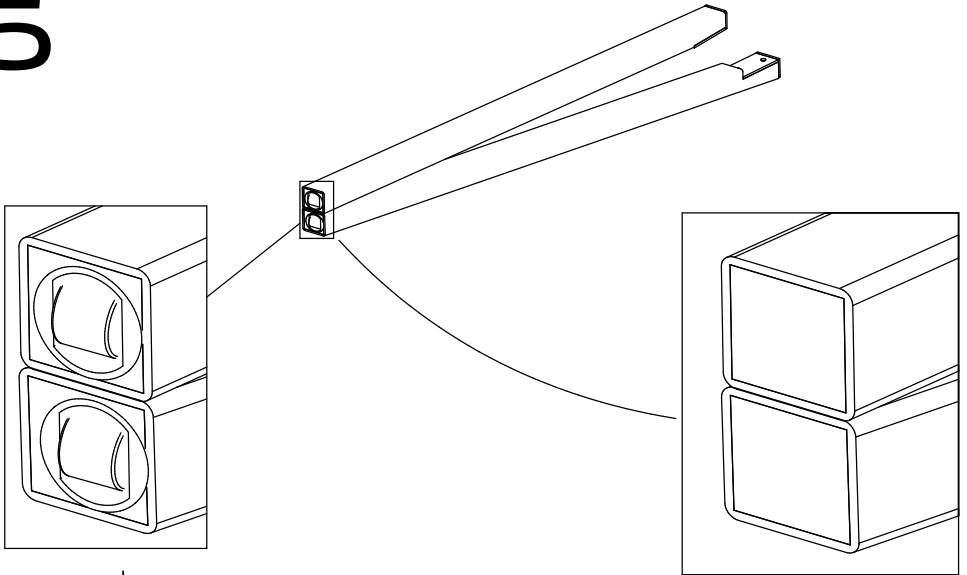


4

4

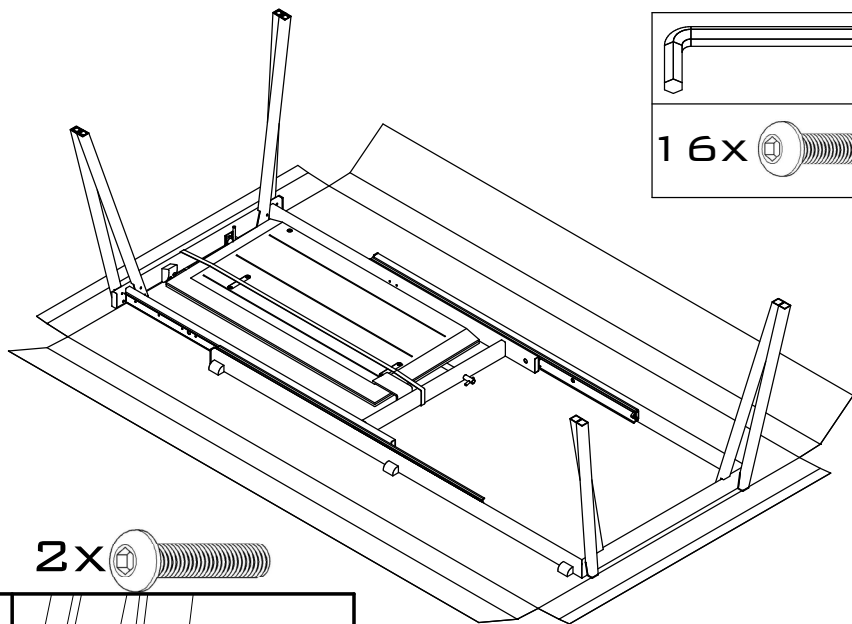


# 5

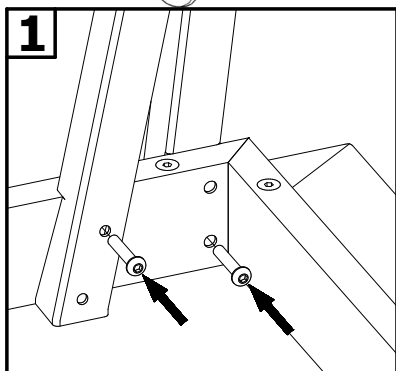


6

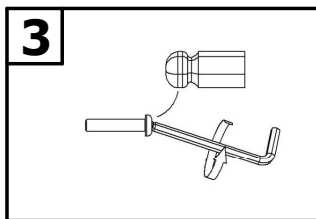
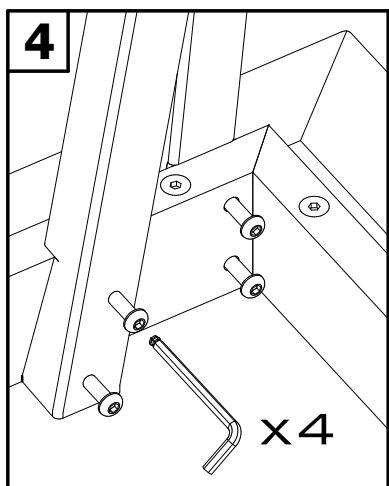
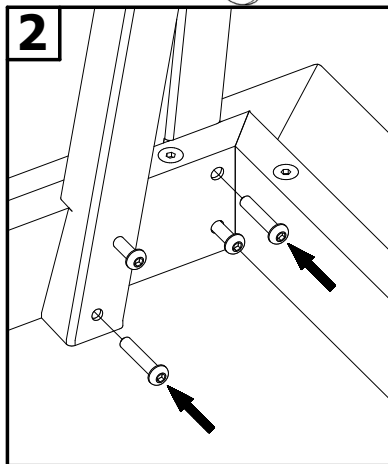
# 6



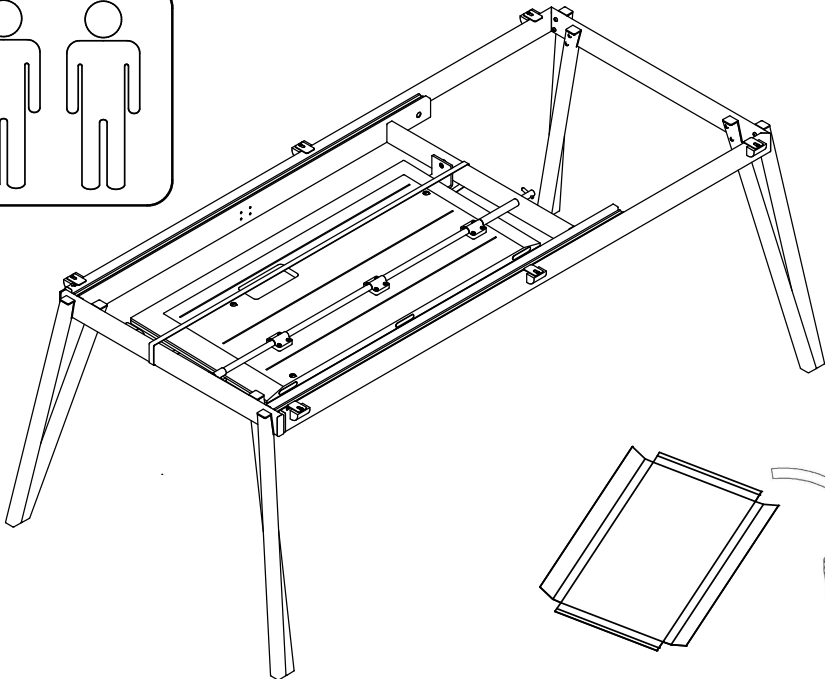
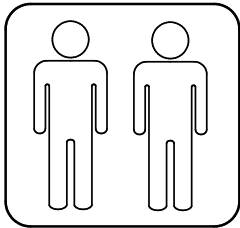
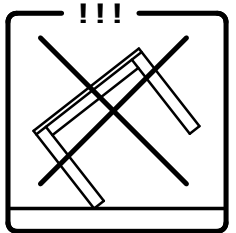
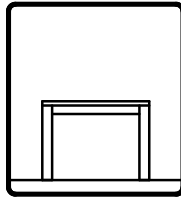
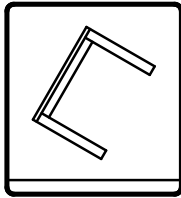
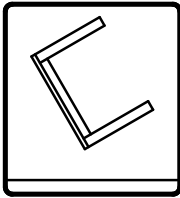
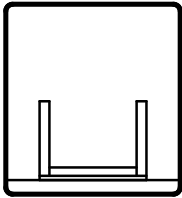
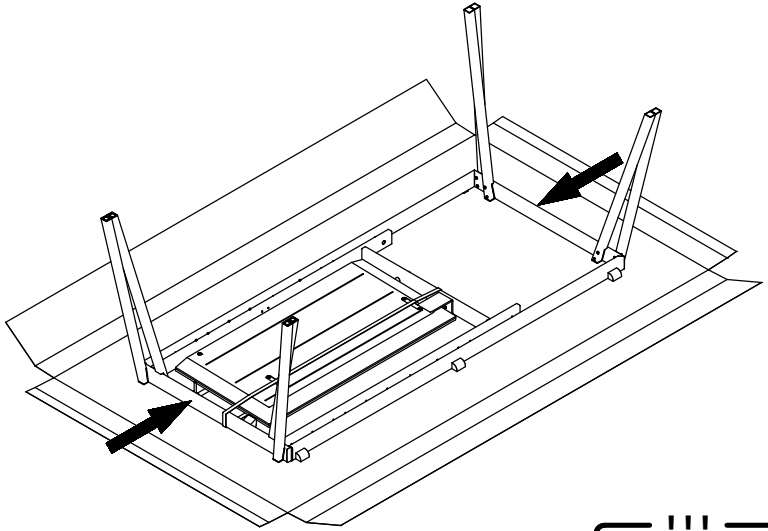
2x



2x



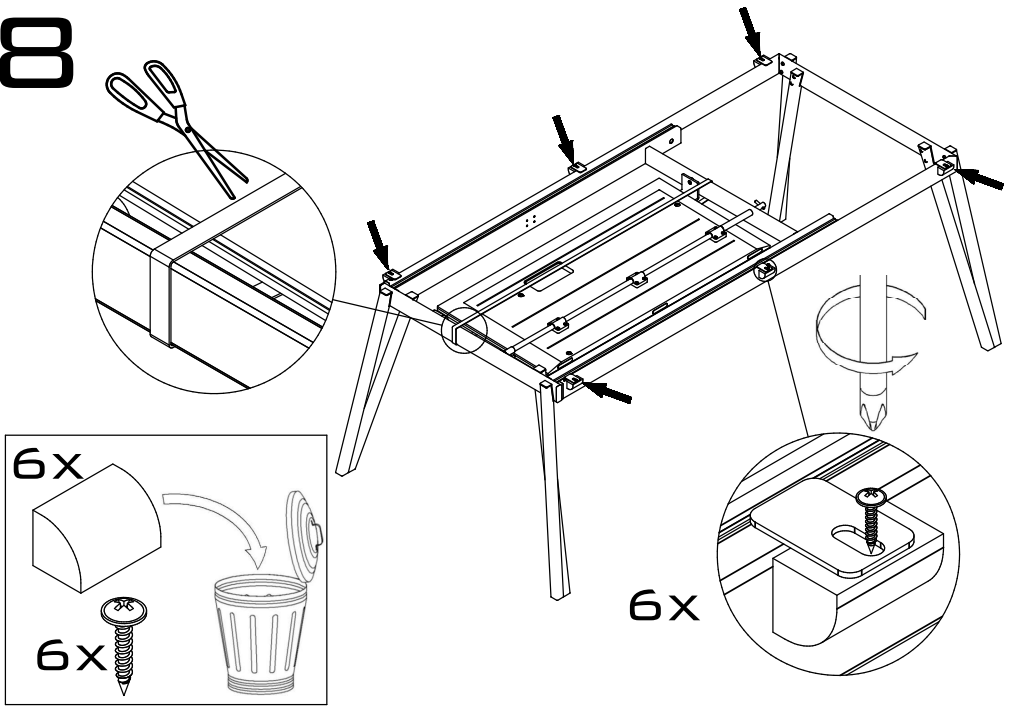
# 7



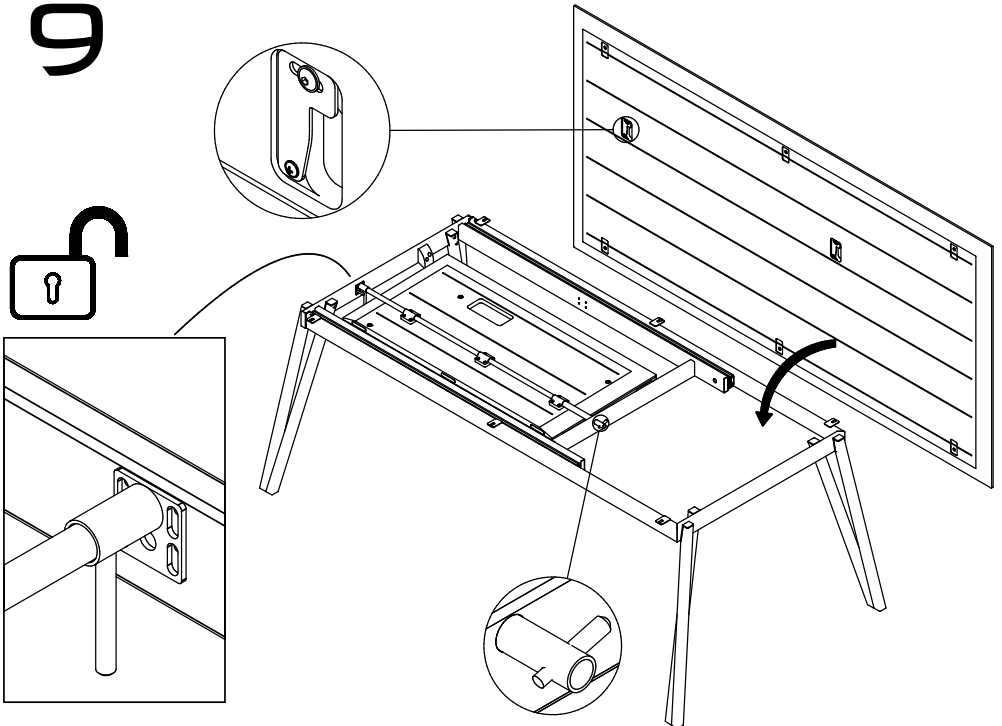
8



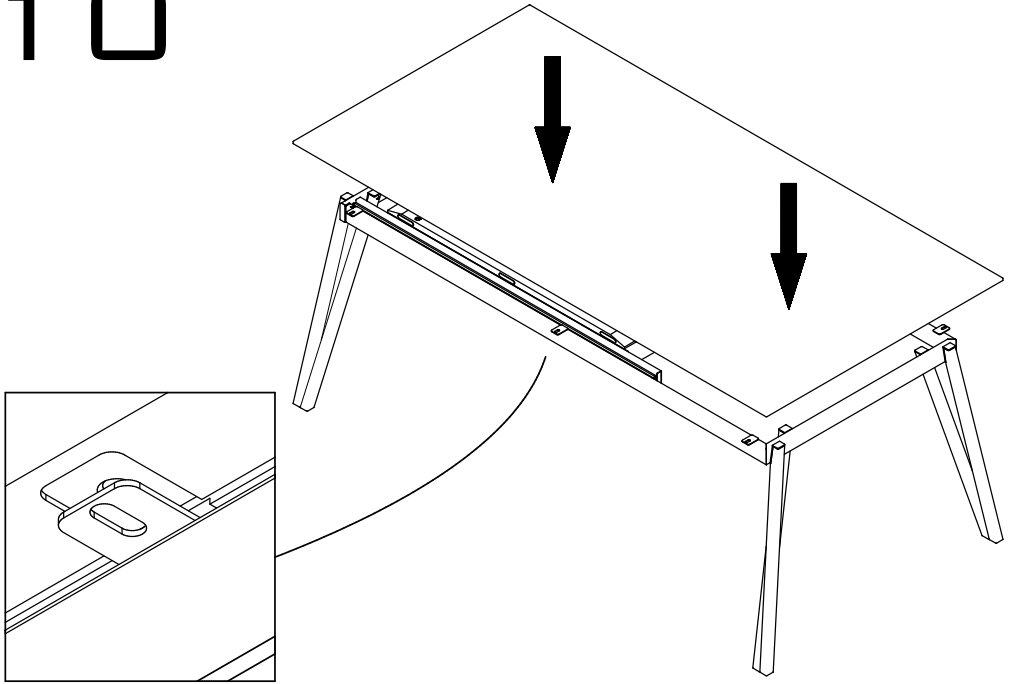
# 8



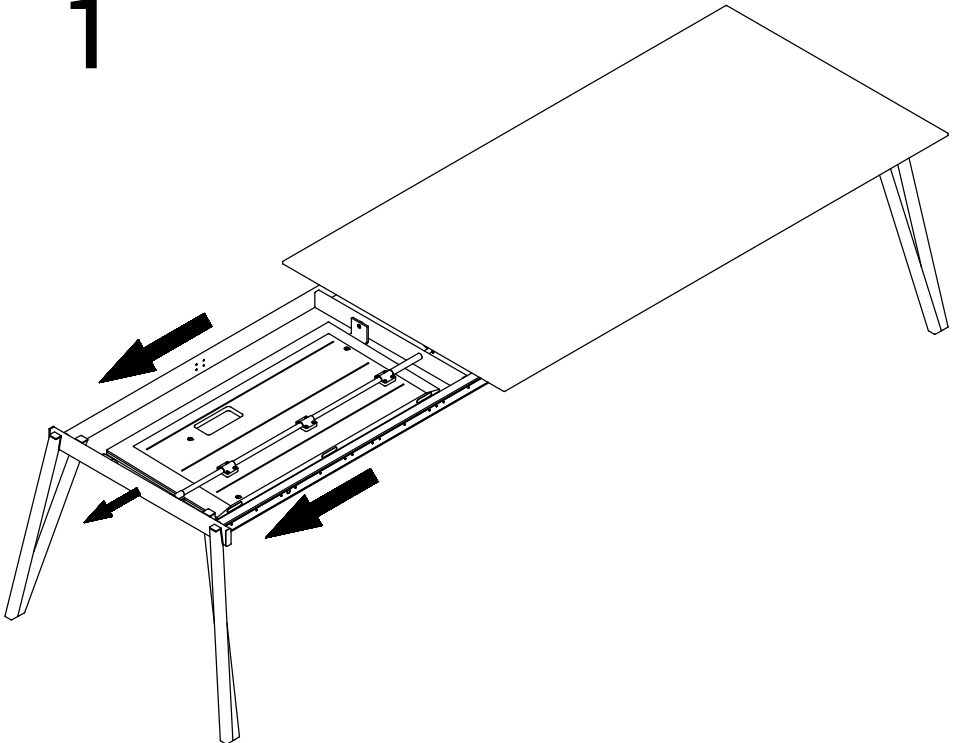
# 9



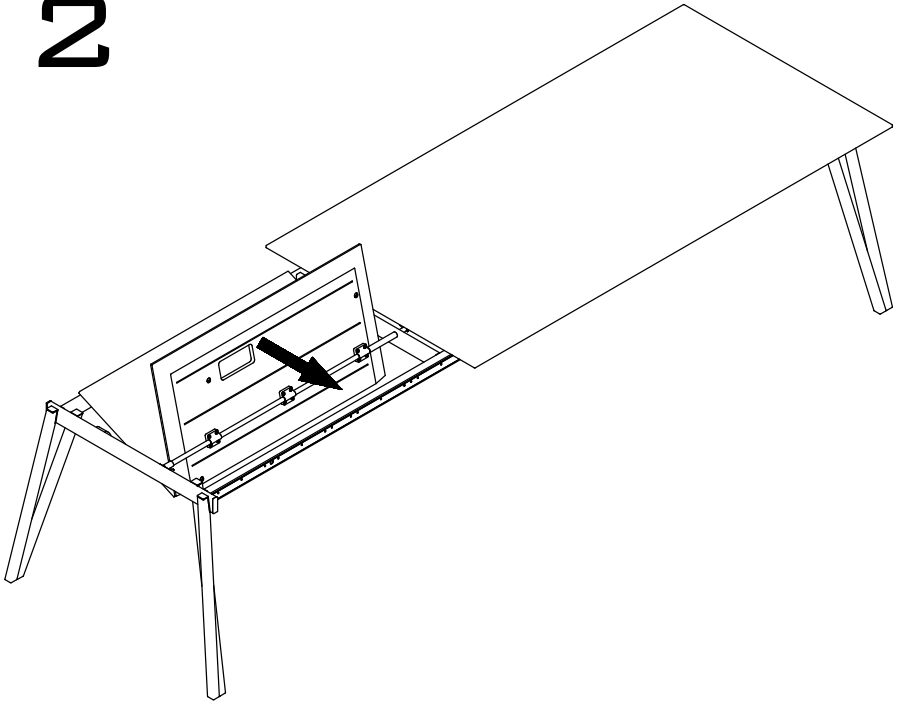
10



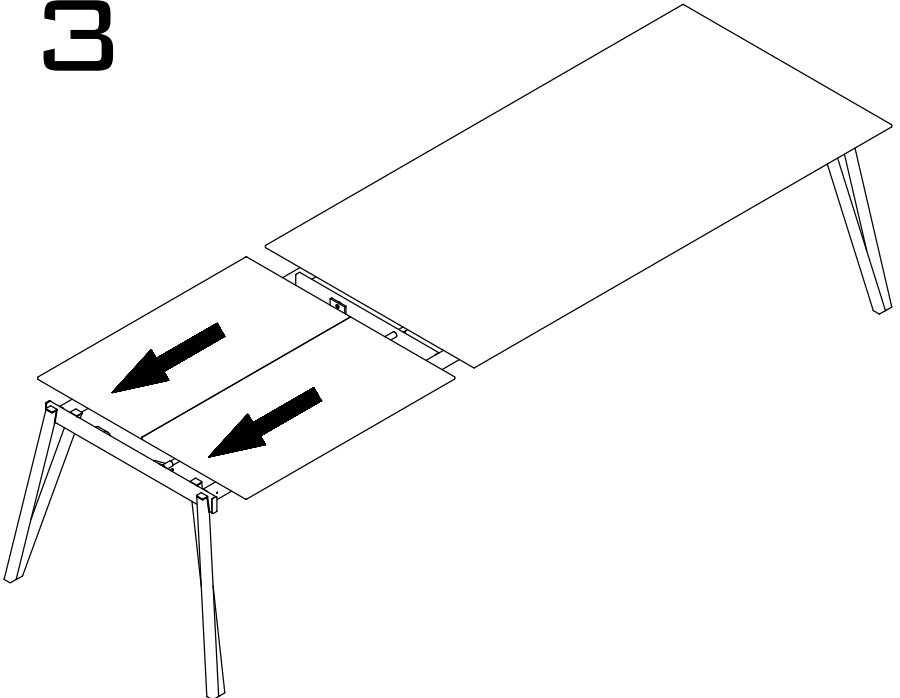
11



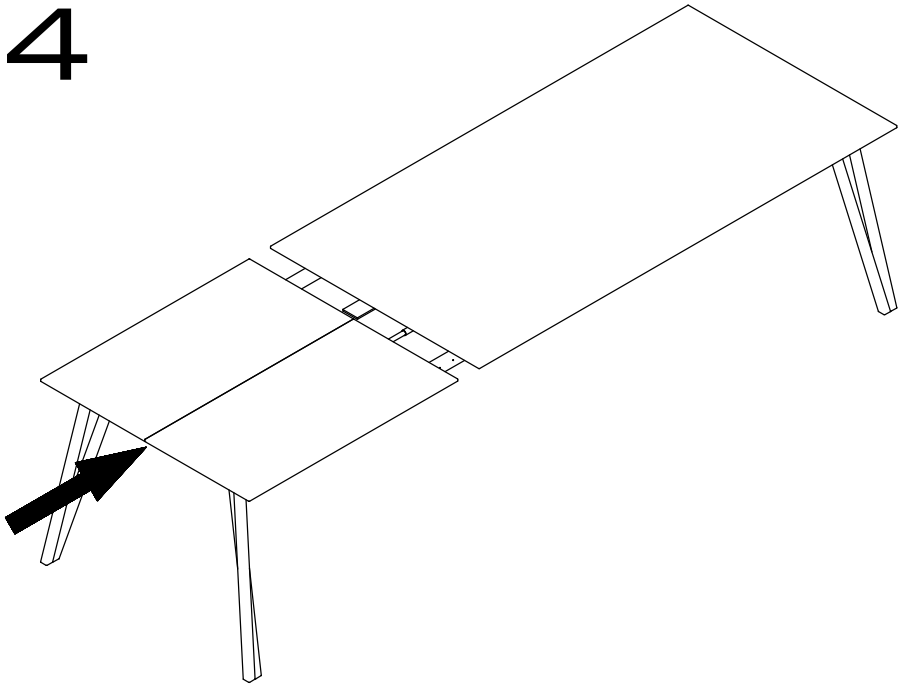
1 2



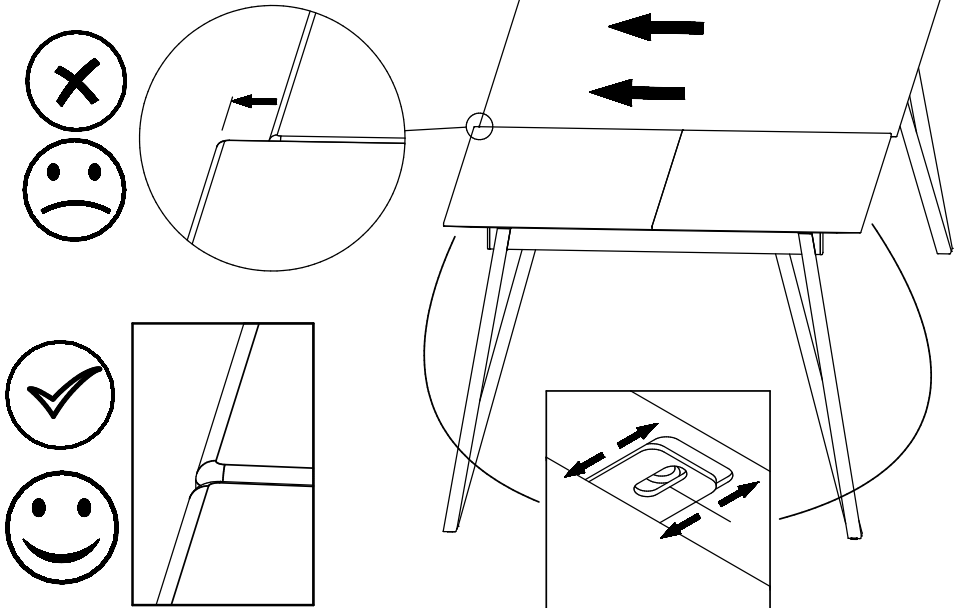
1 3



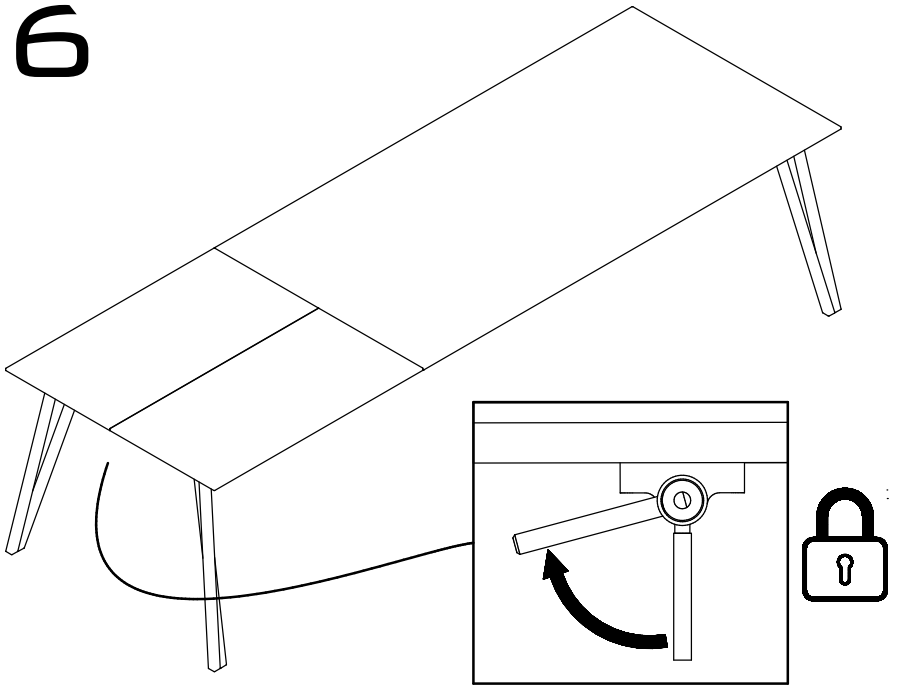
# 14



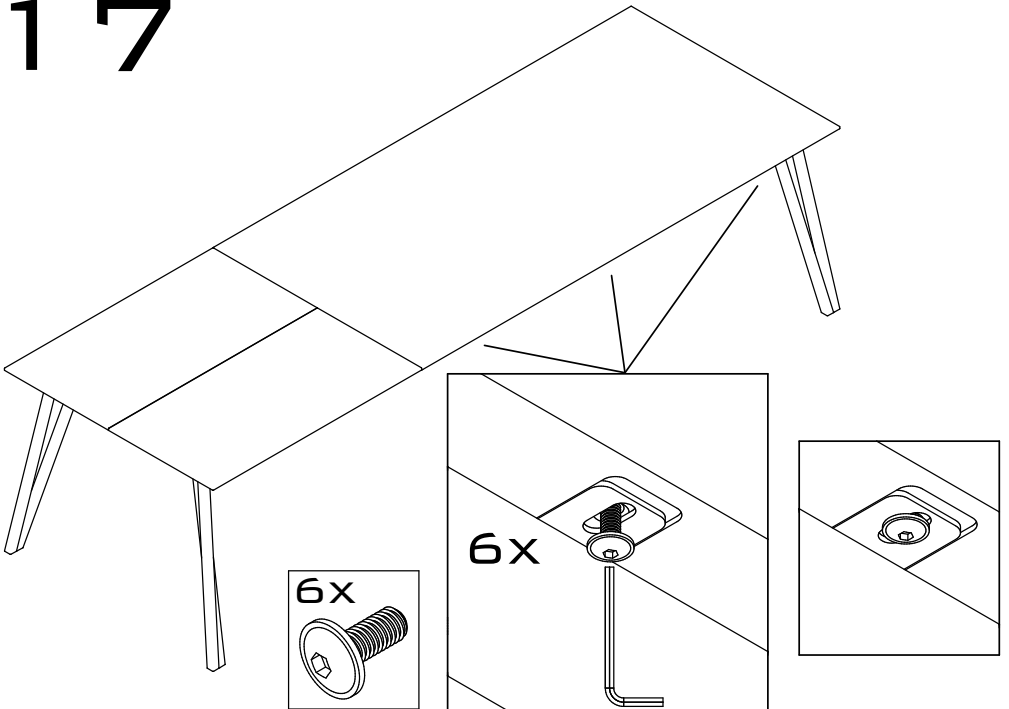
# 15



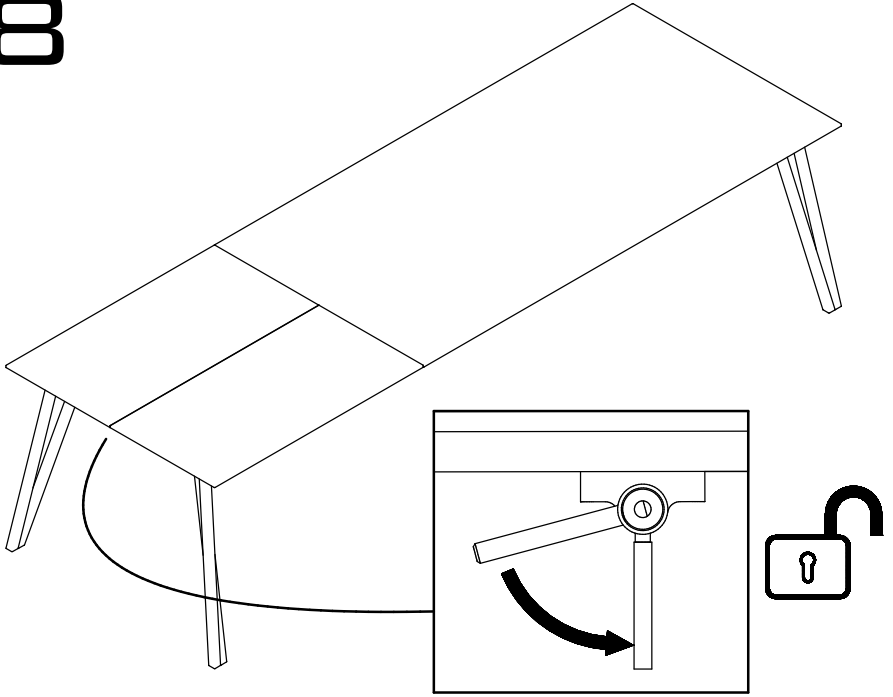
# 16



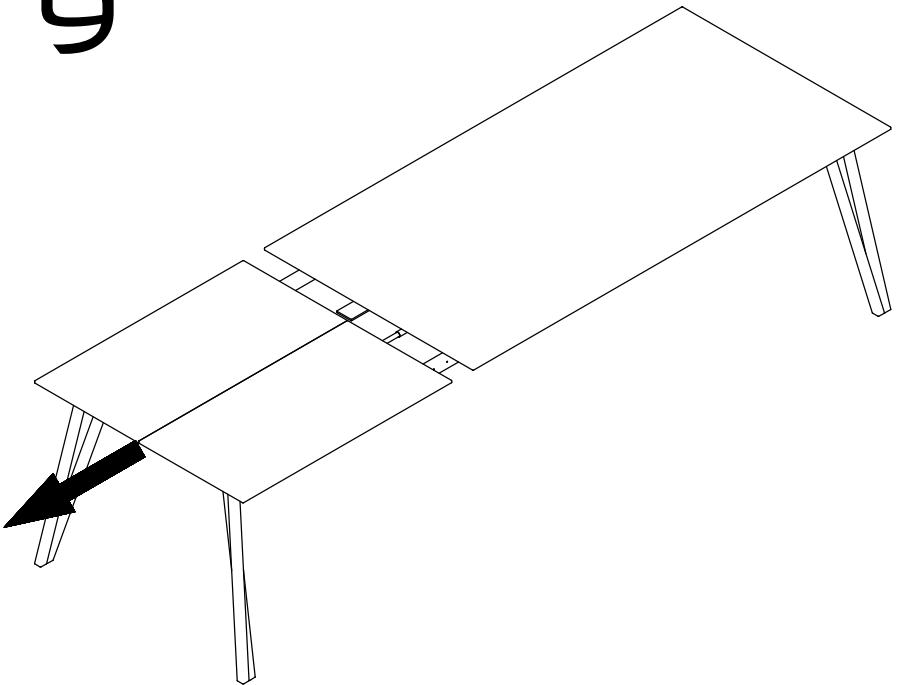
# 17



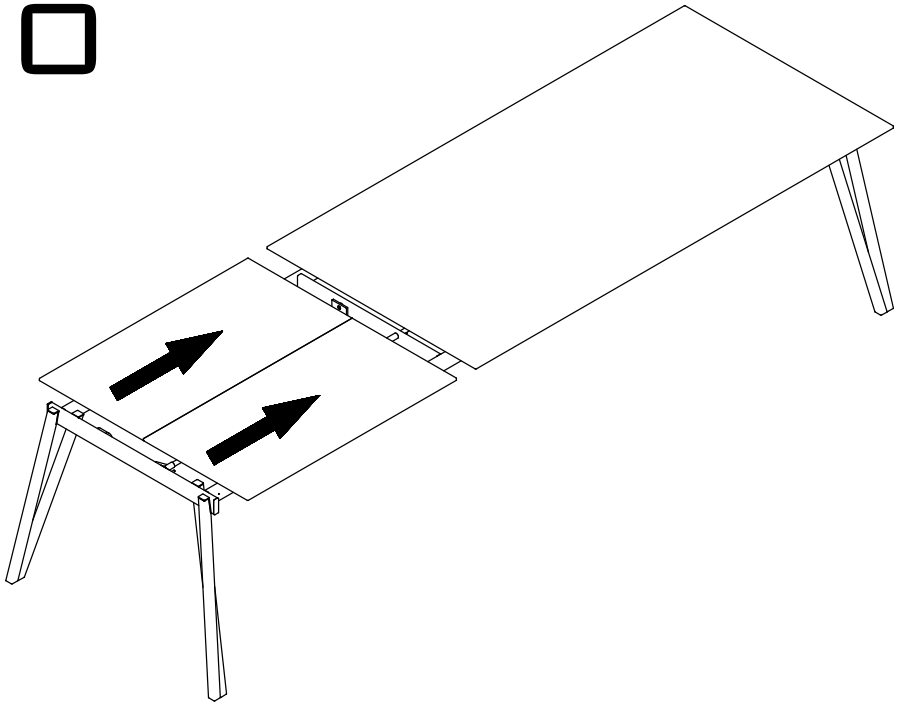
18



19

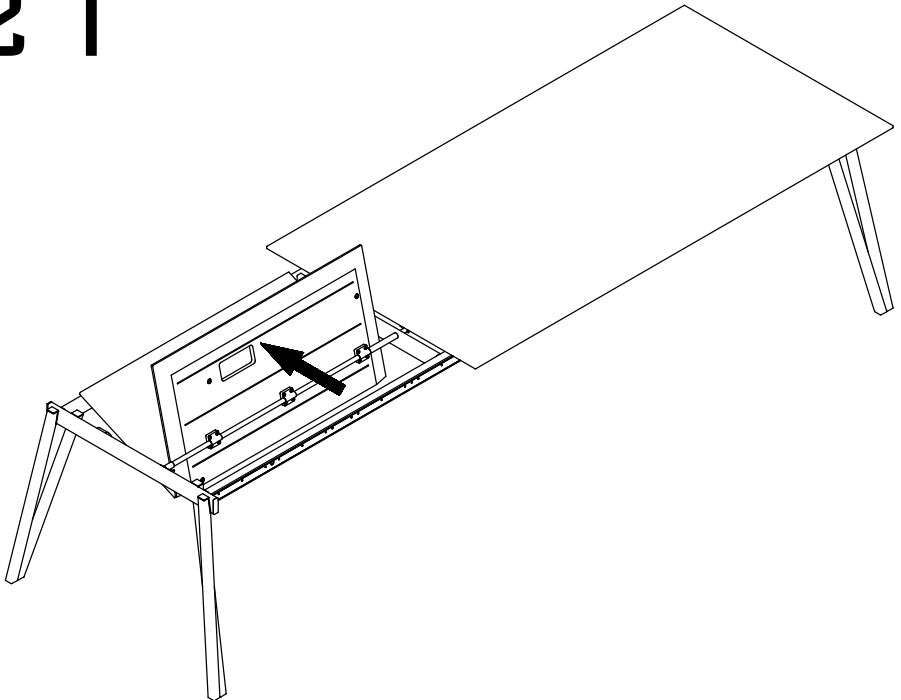


20

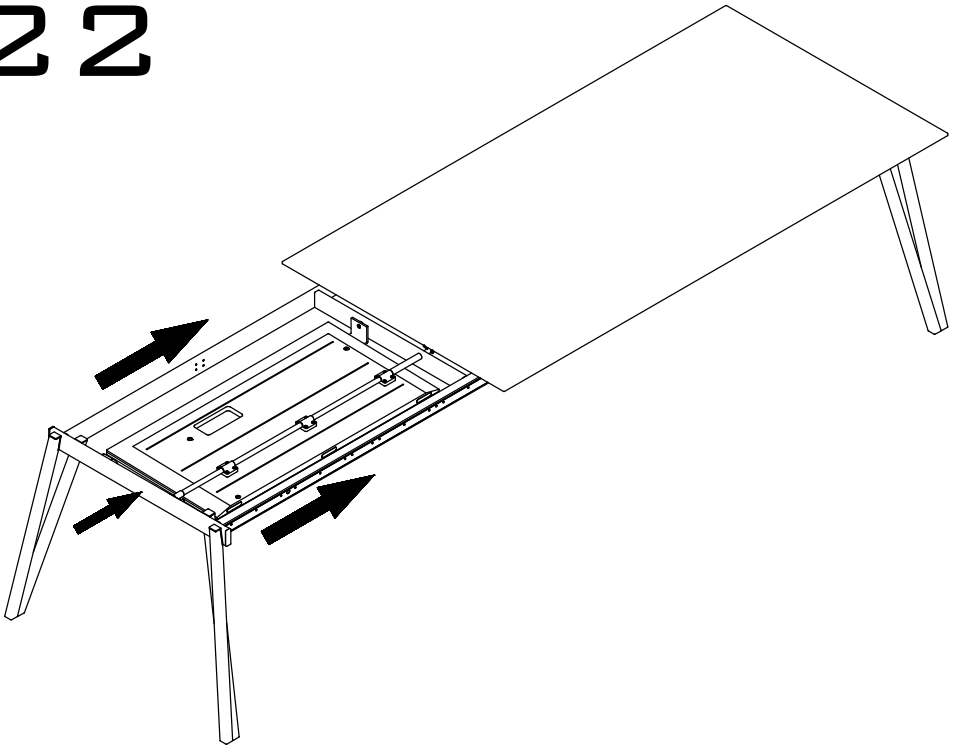


---

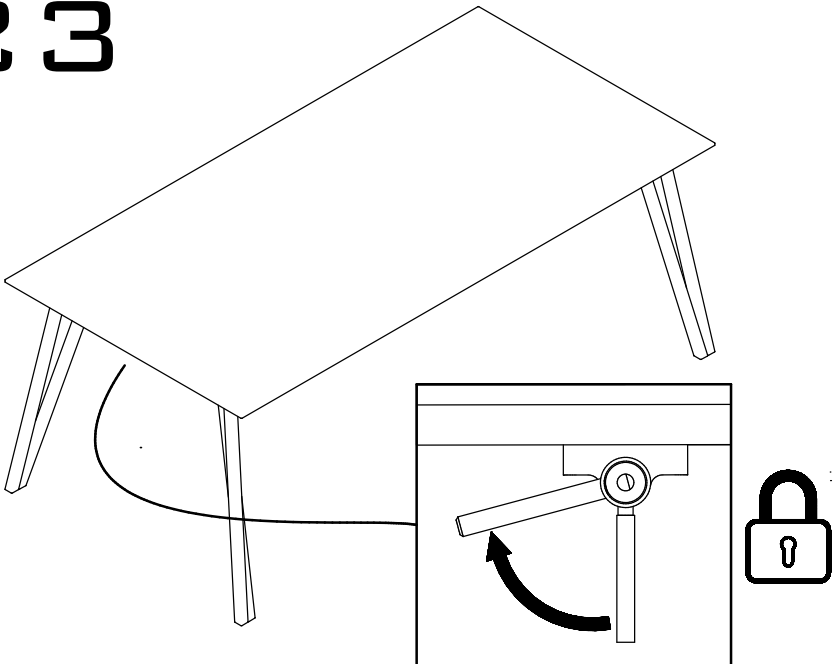
21



# 22

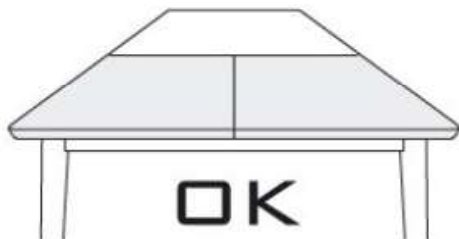
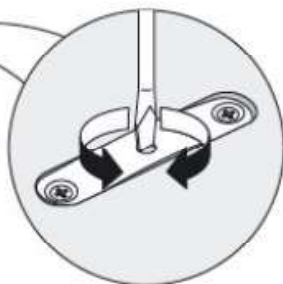
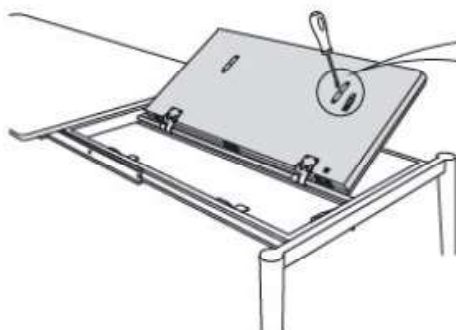
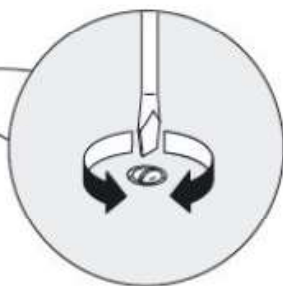
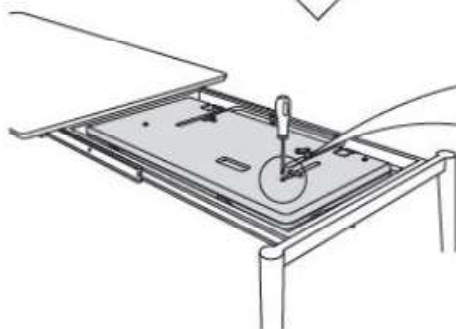
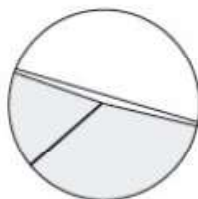
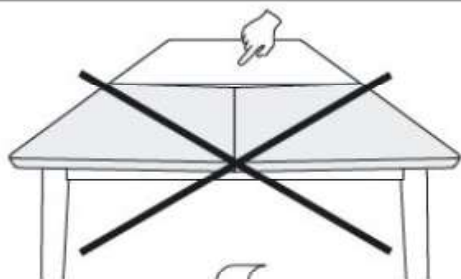


# 23

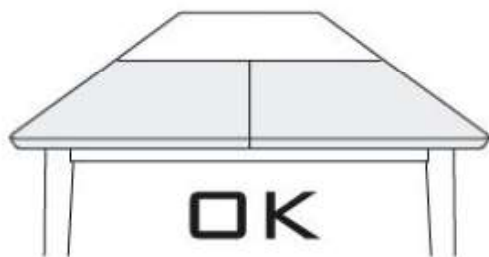
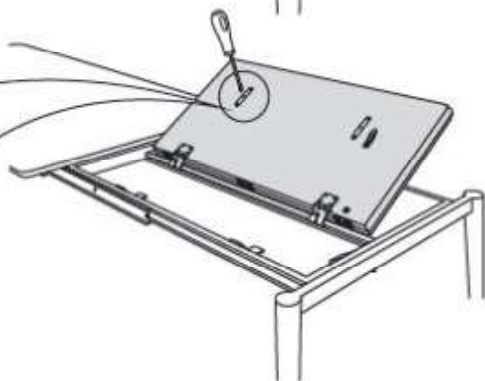
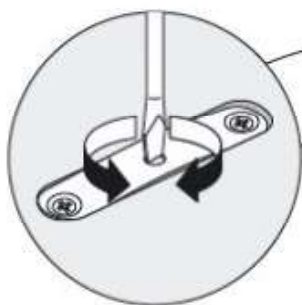
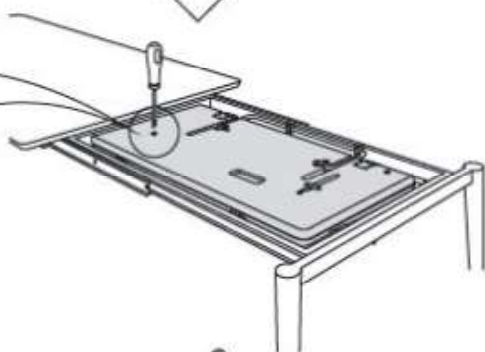
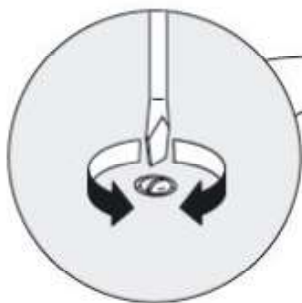
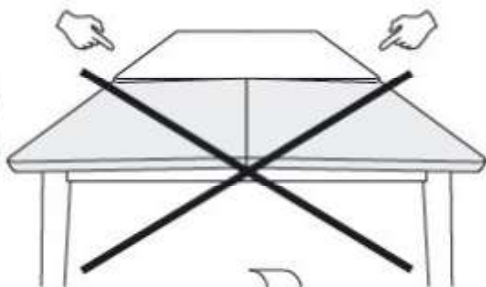
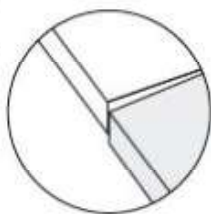




i



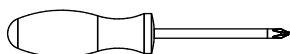
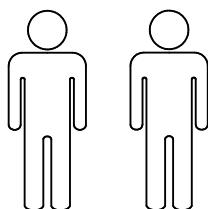
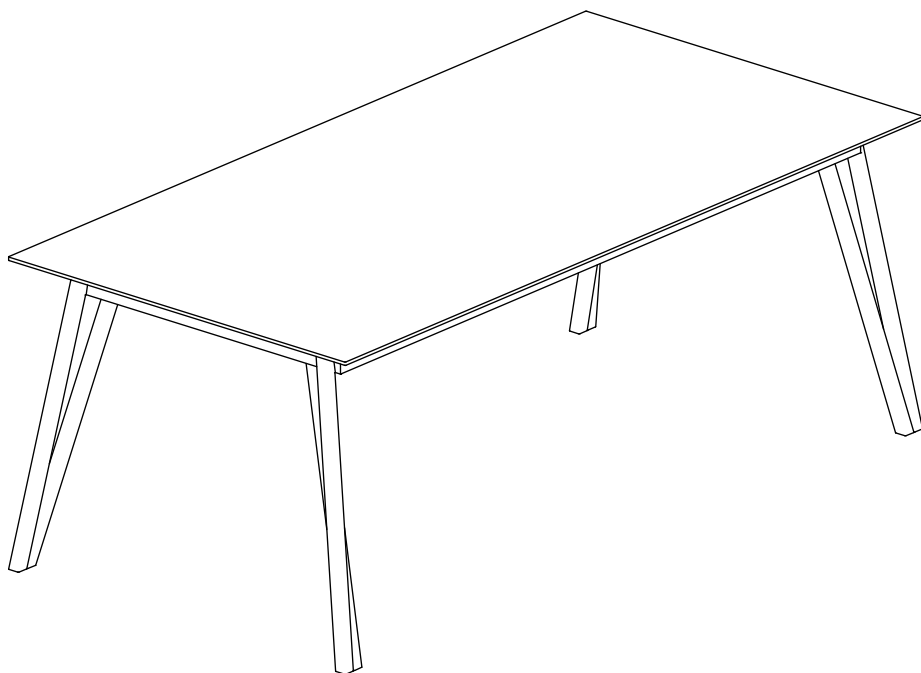
i



OK

# möbitec

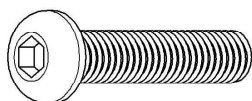
brest tables family



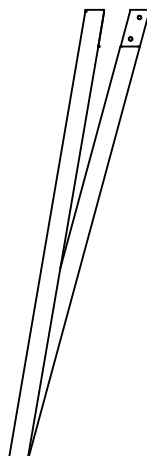
1 x

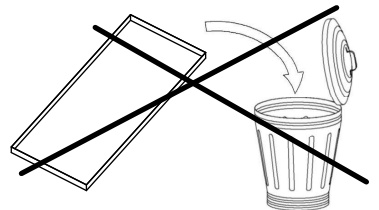
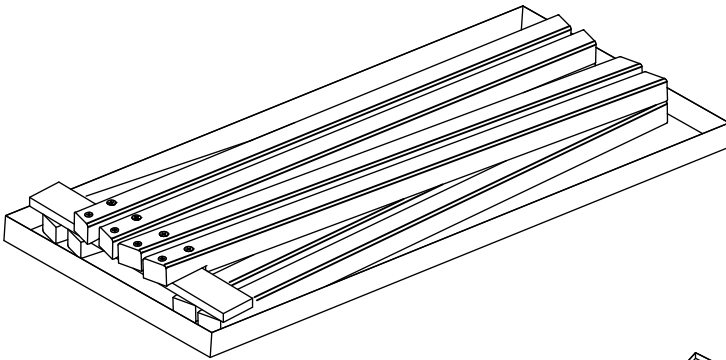
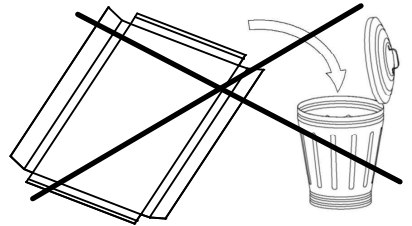
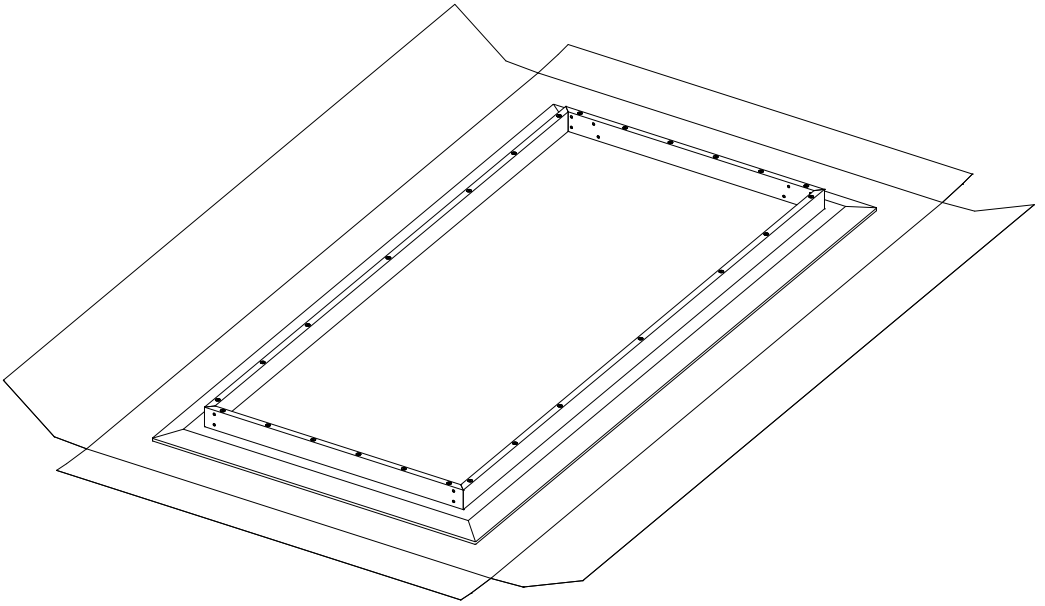


16 x

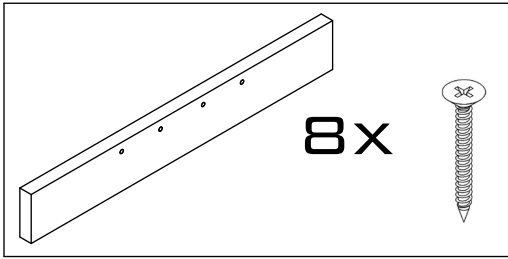
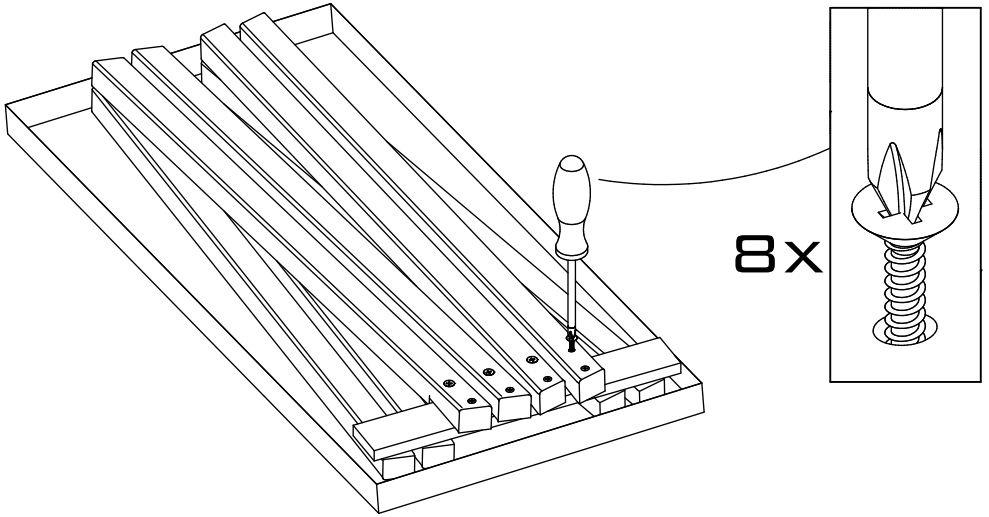


4 x

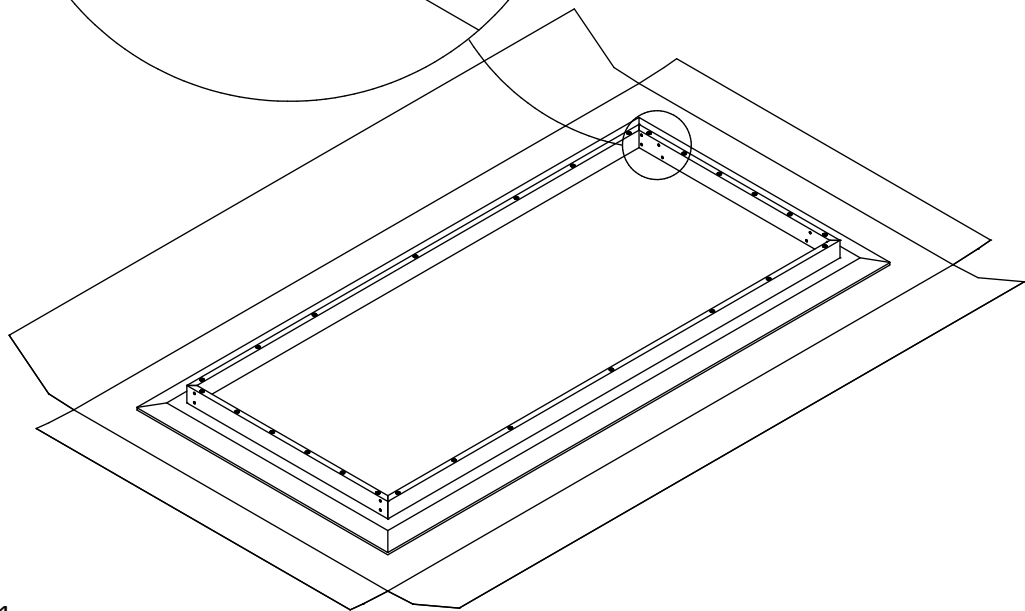
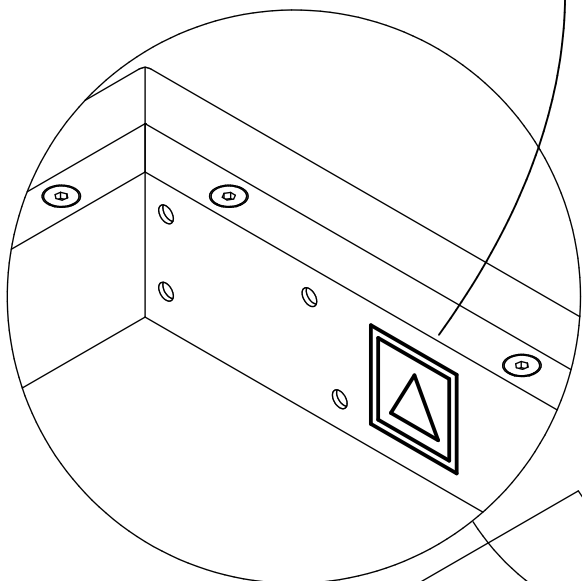
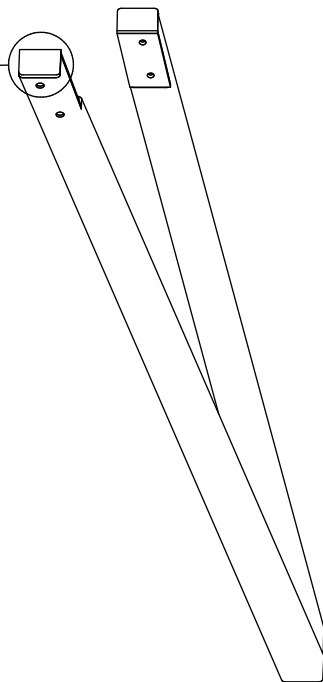
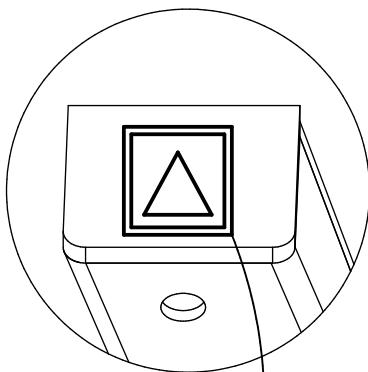
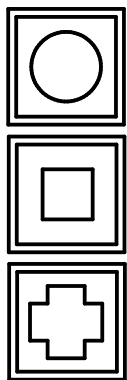




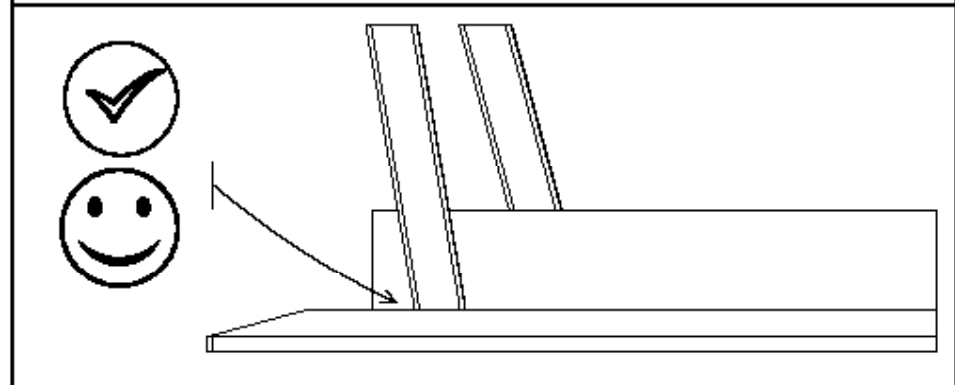
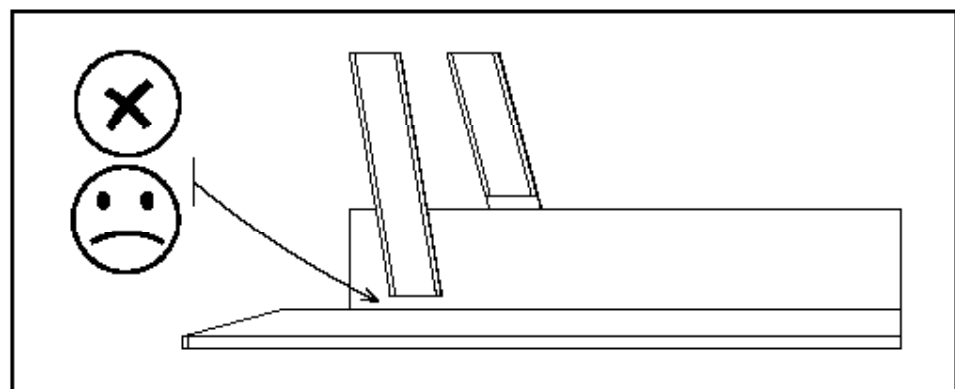
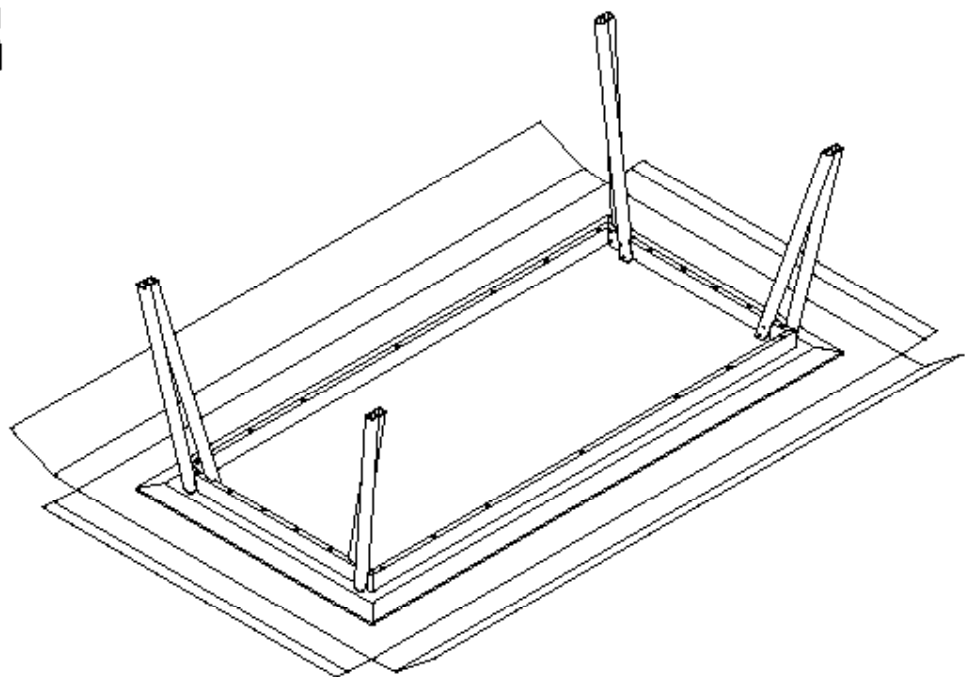
# 1



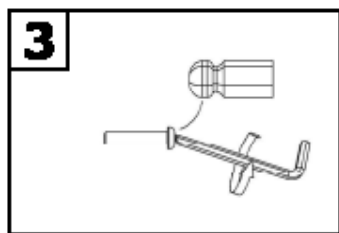
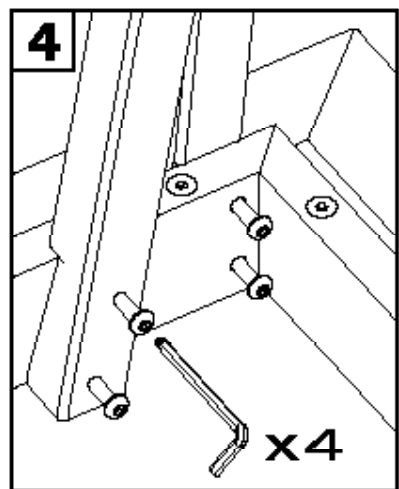
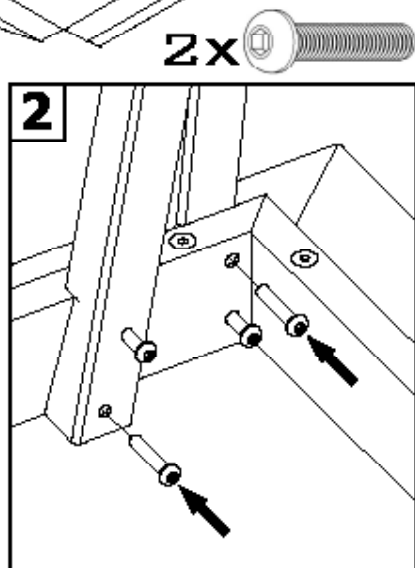
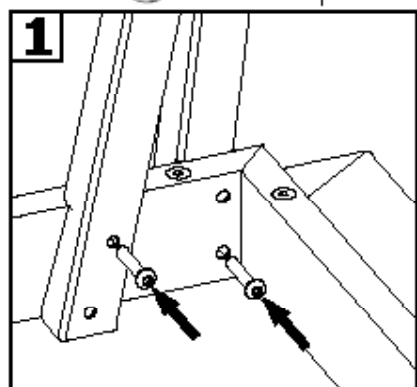
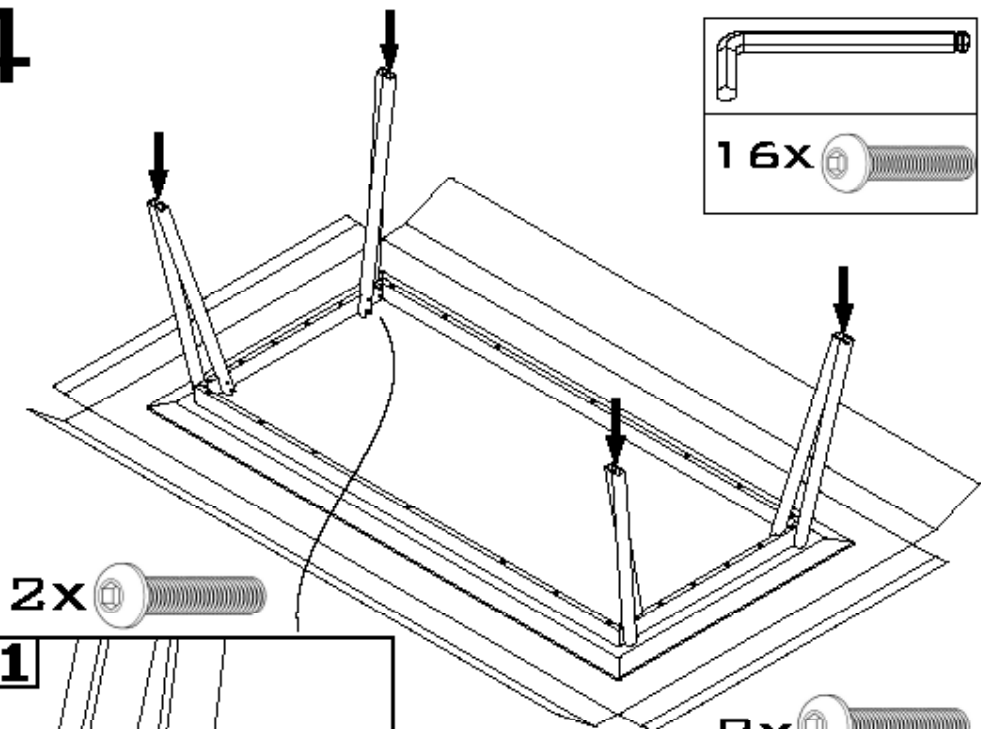
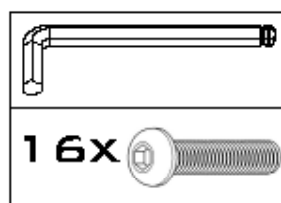
2



# 3



# 4





# 5

