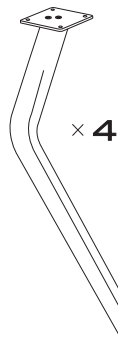
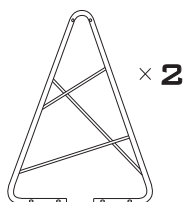
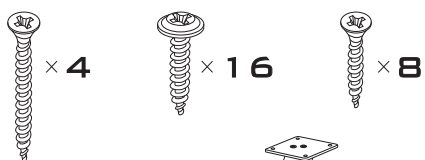
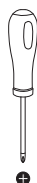
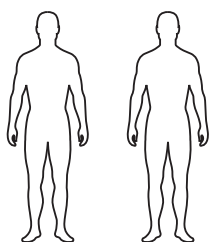
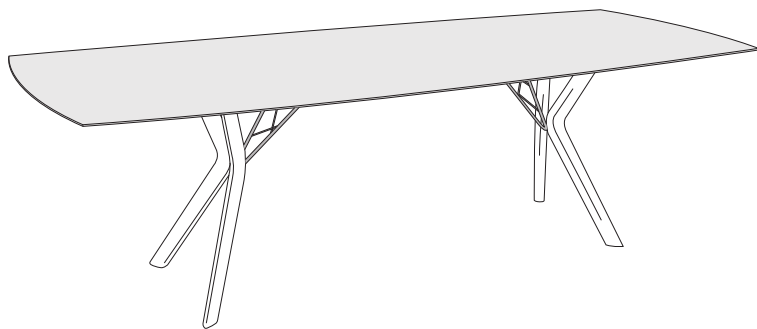
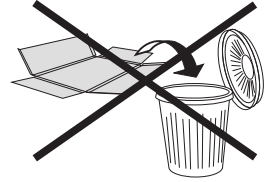
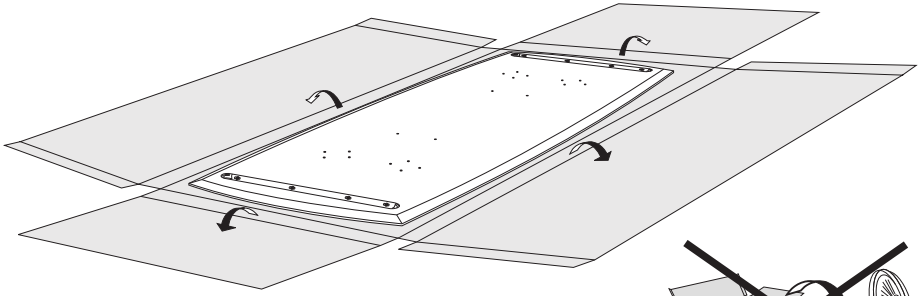


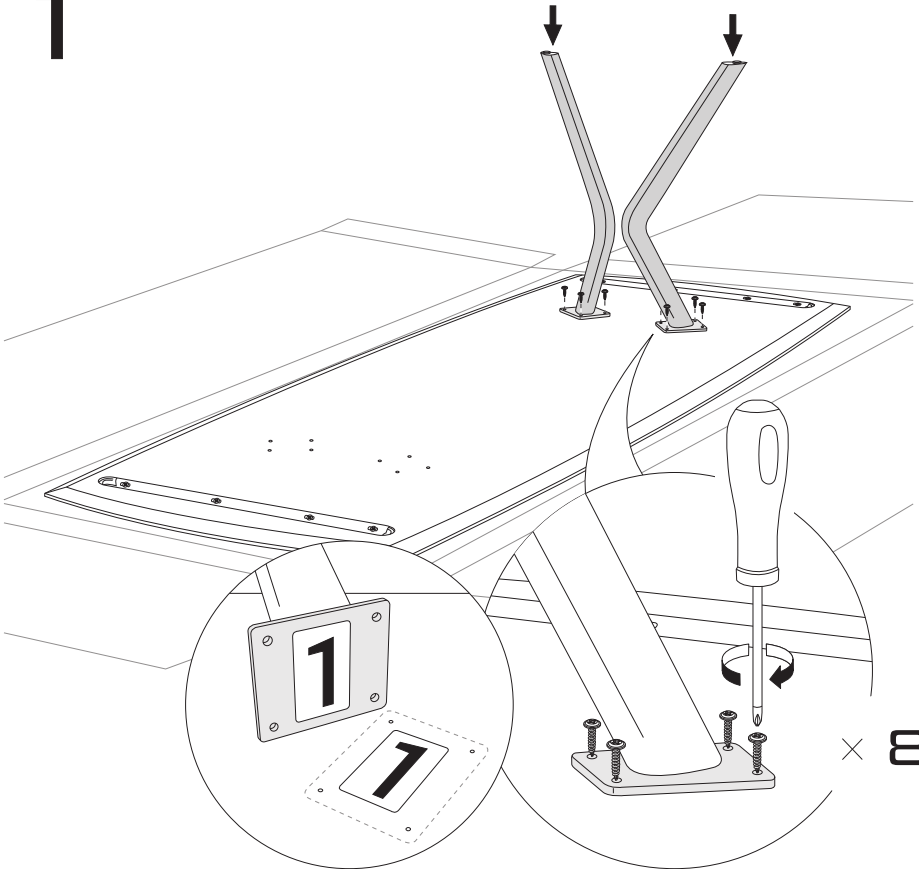
# möbitec

eclipse tables family

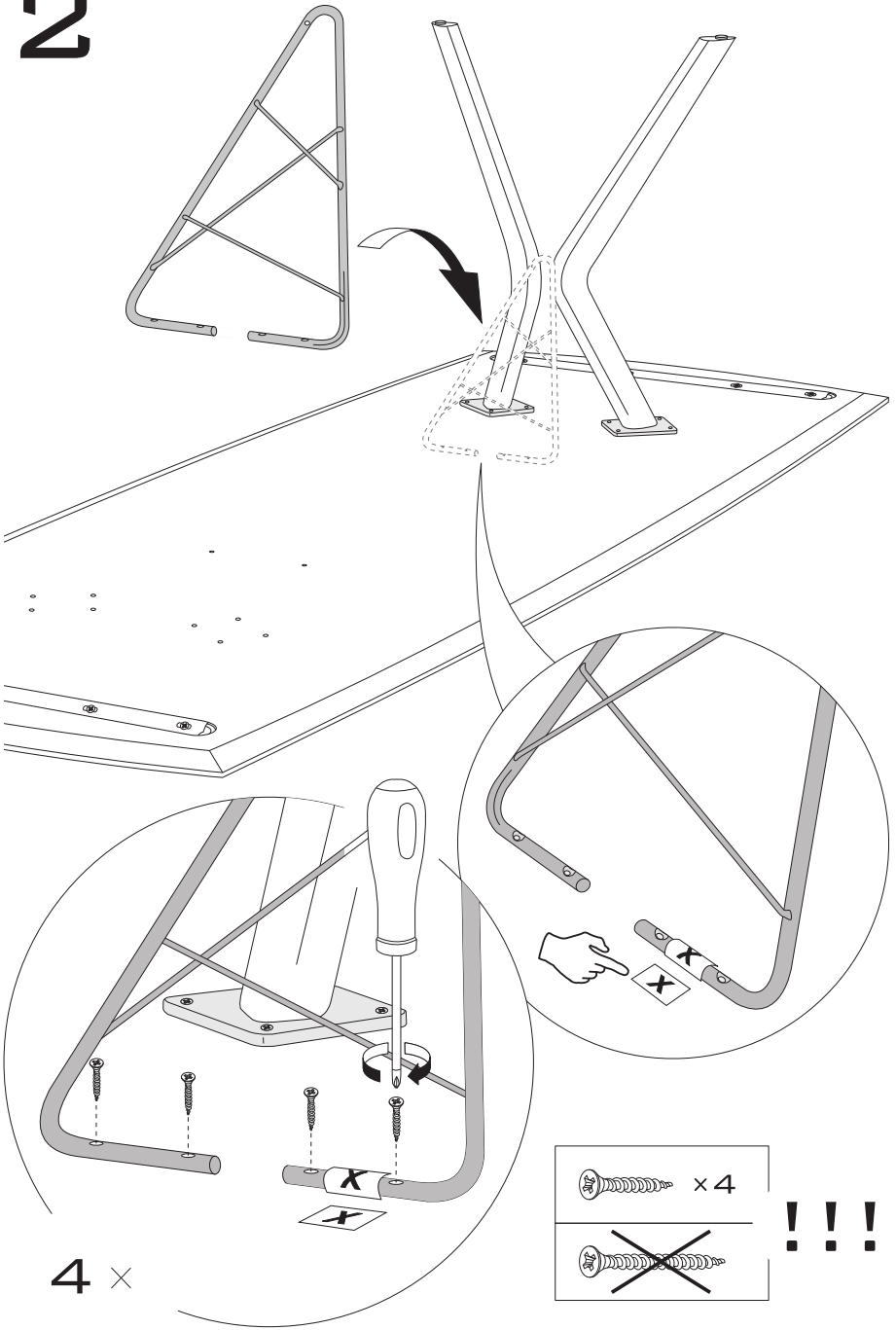




1

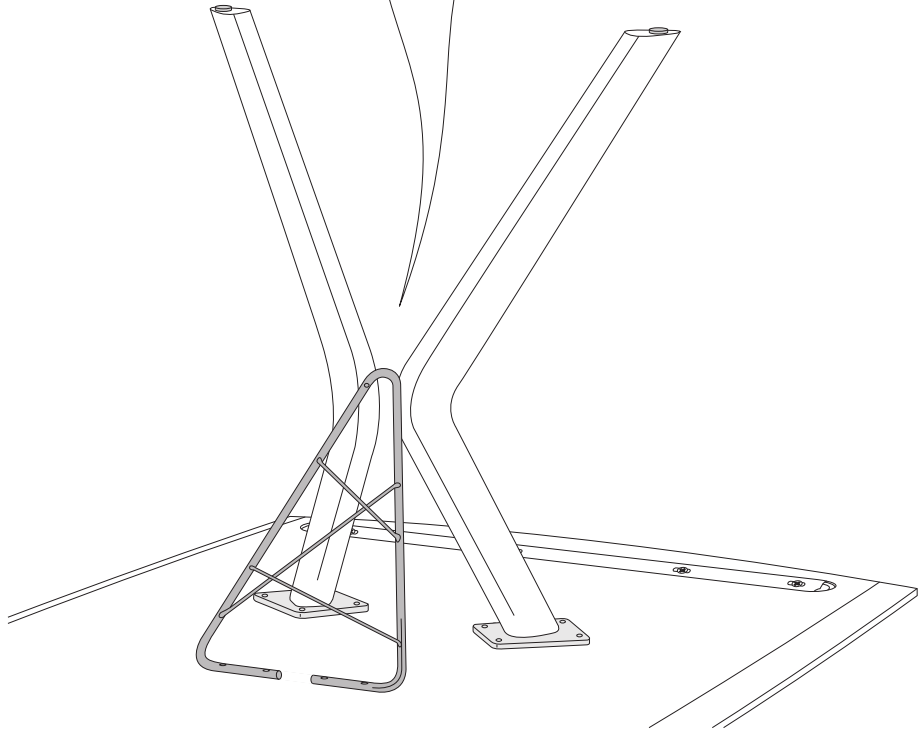
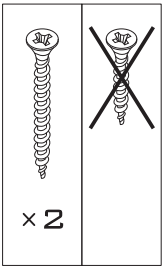
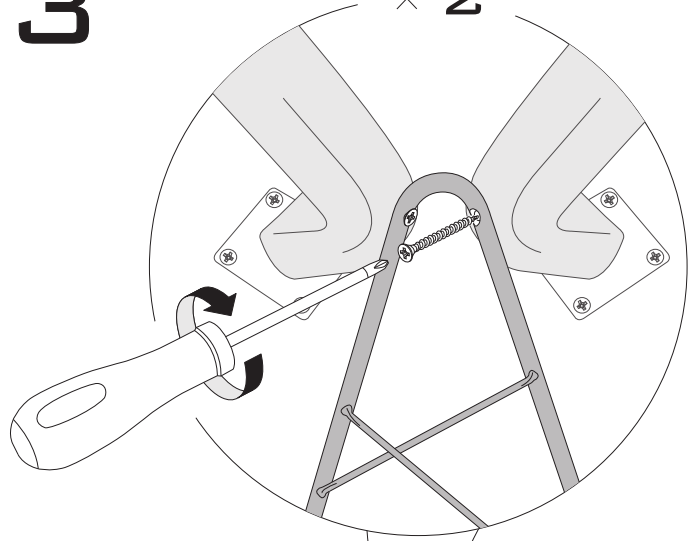


2

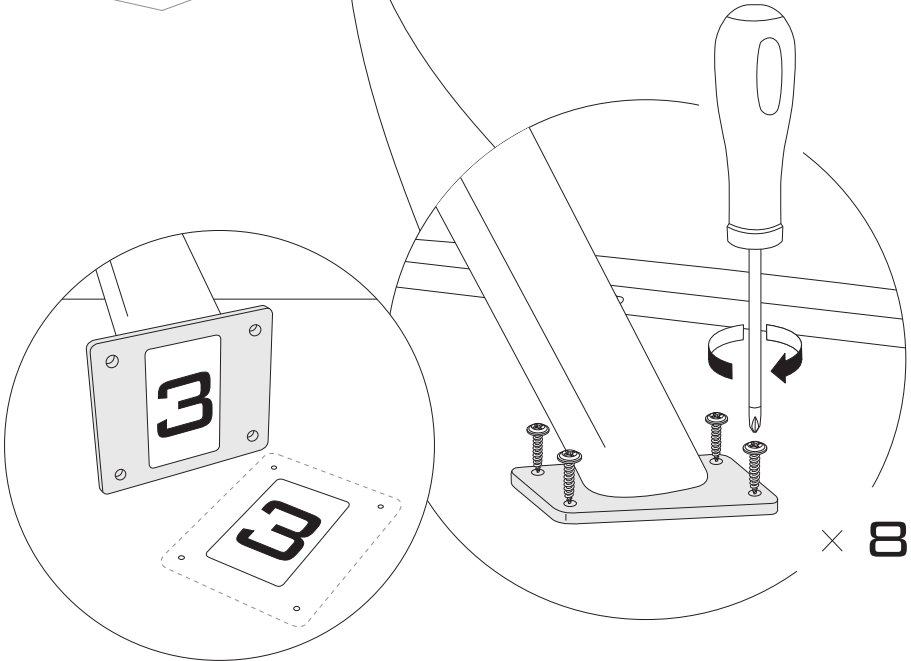
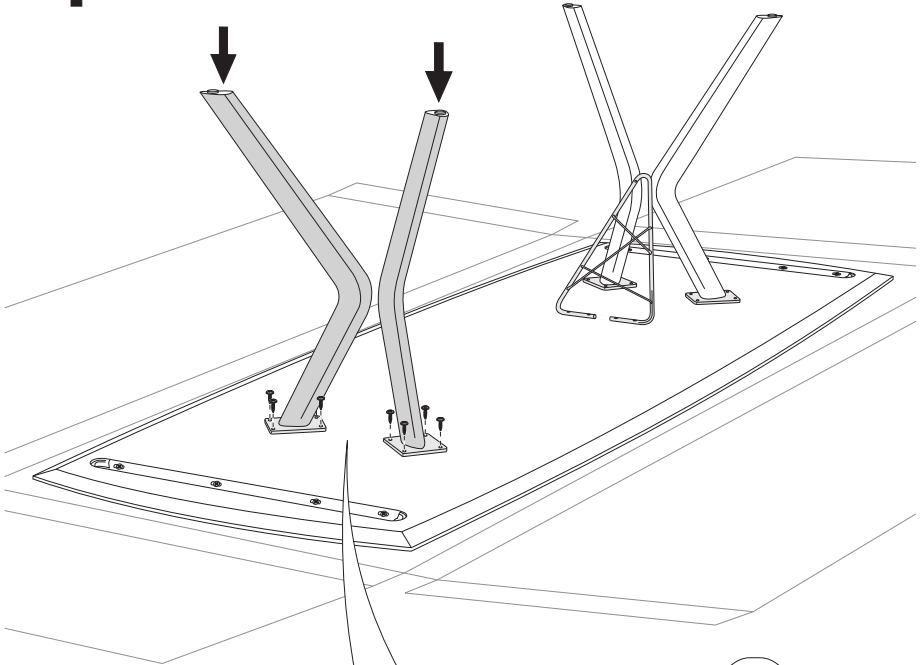


3

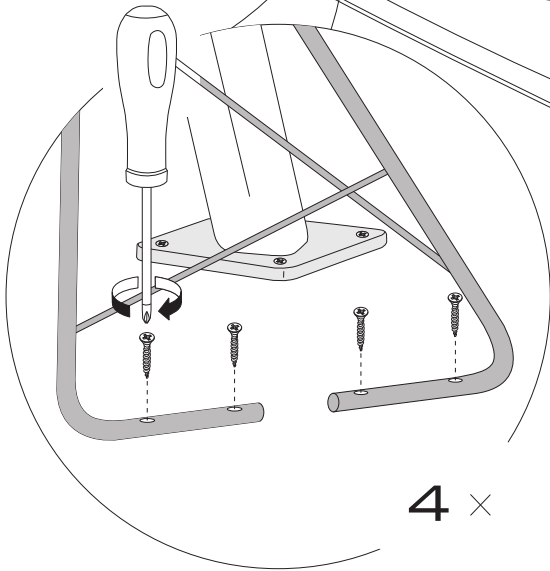
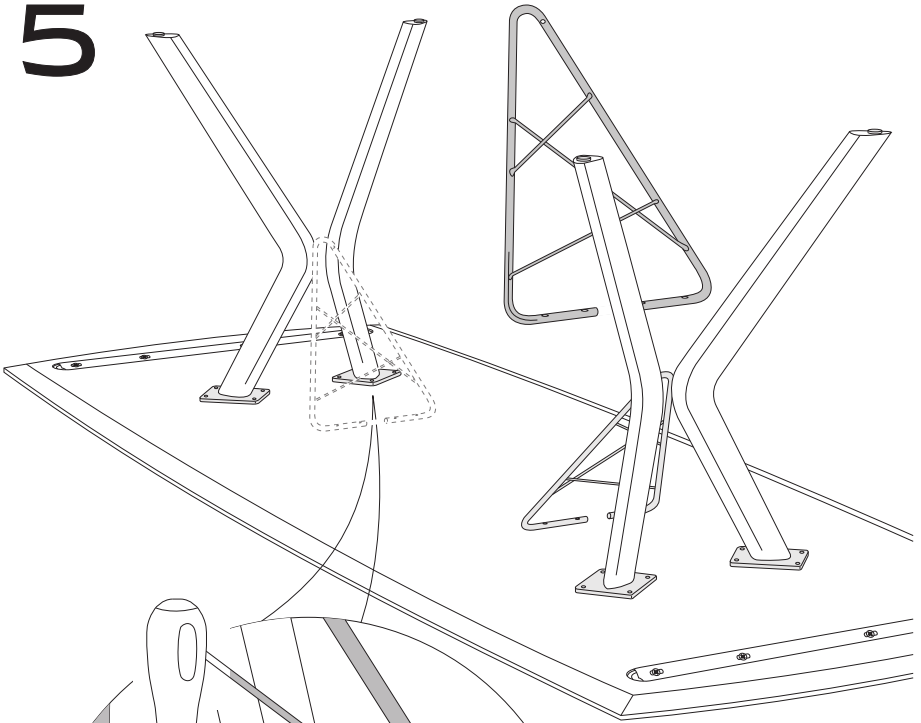
× 2



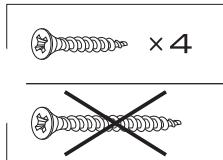
# 4



5

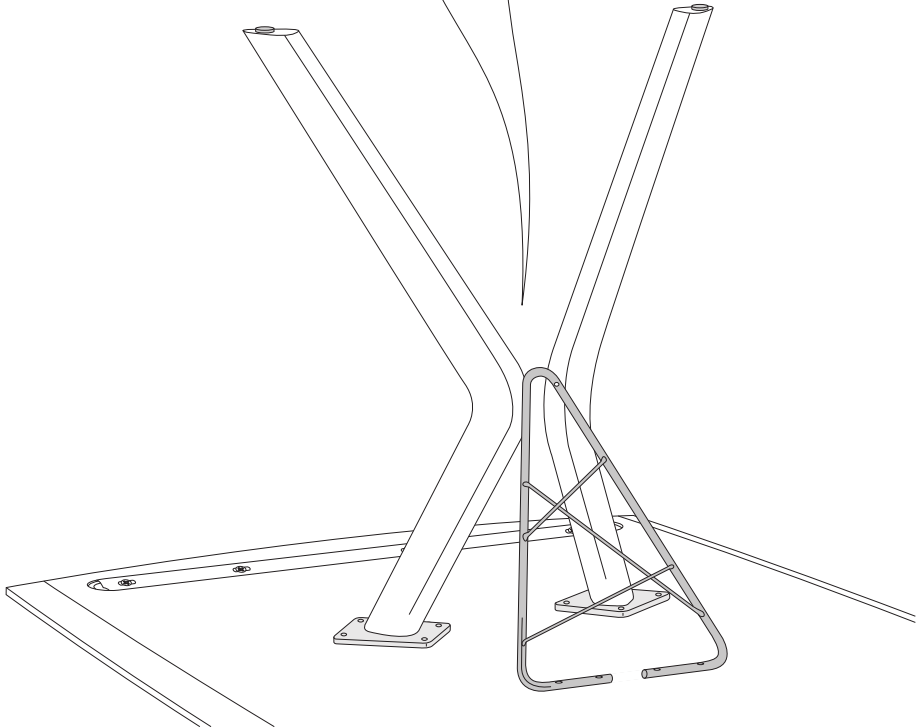
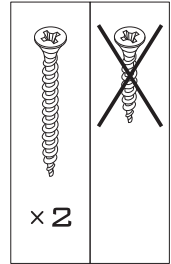
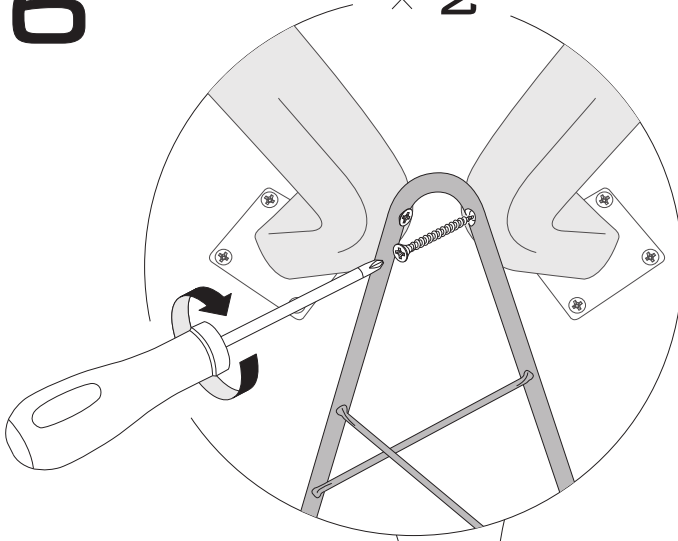


4 ×

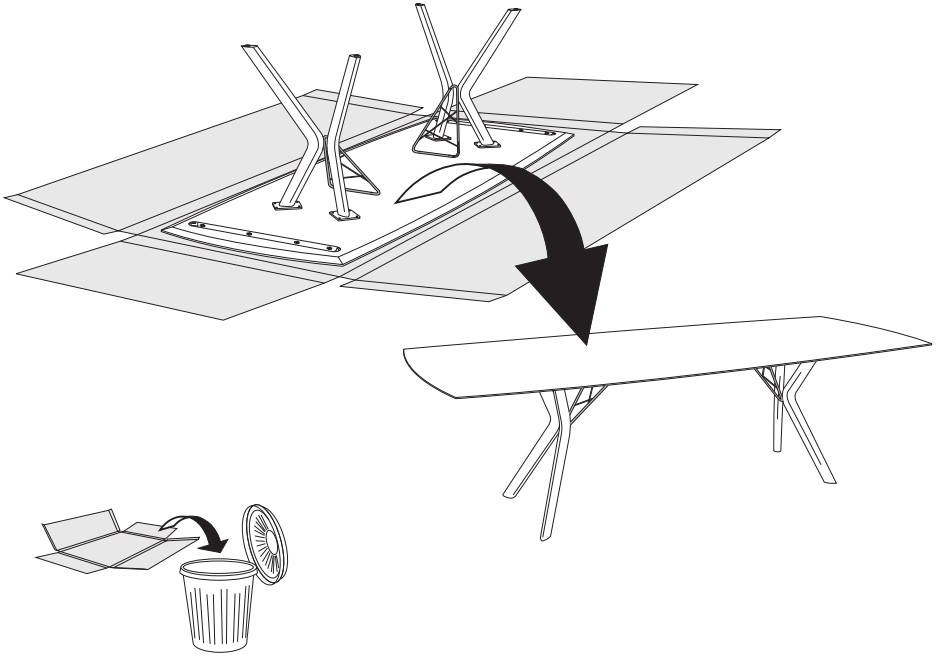
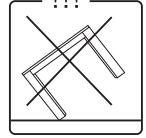
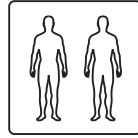


# 6

× 2



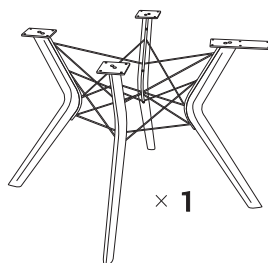
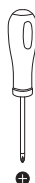
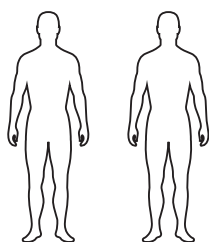
# 7

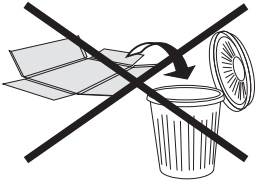
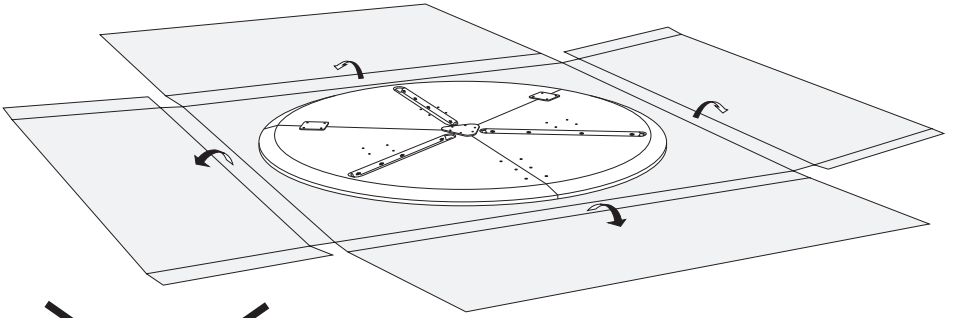




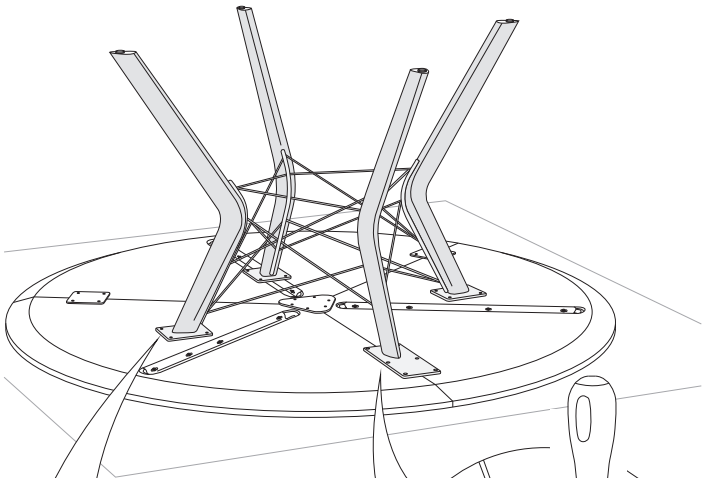
# möbitec

eclipse tables family

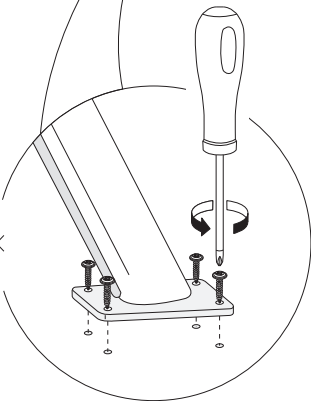




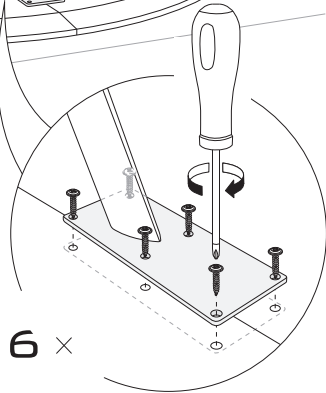
1



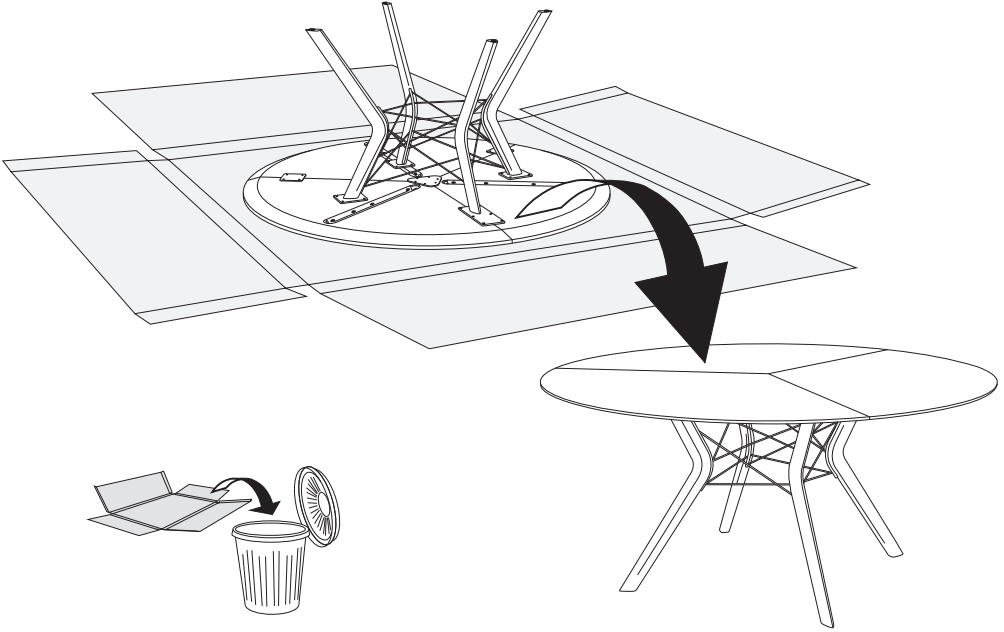
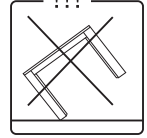
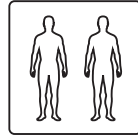
12 ×



6 ×

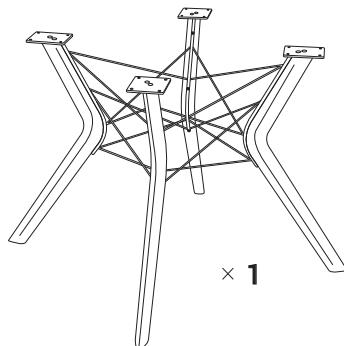
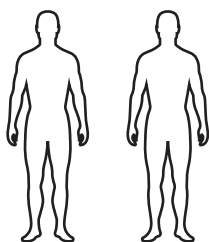


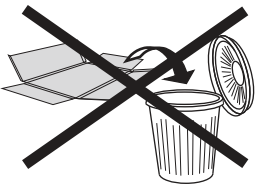
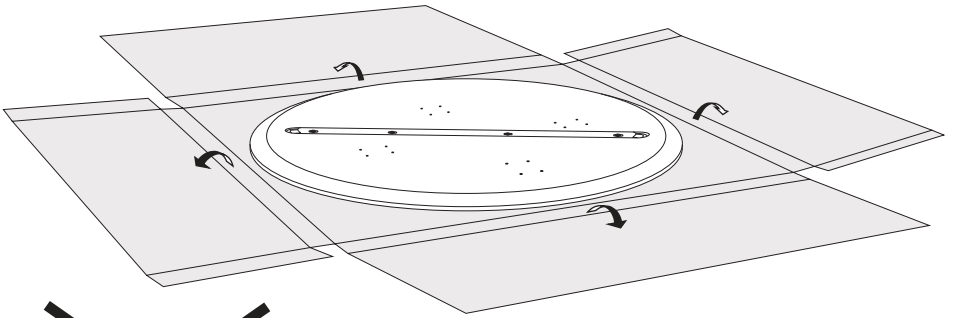
2



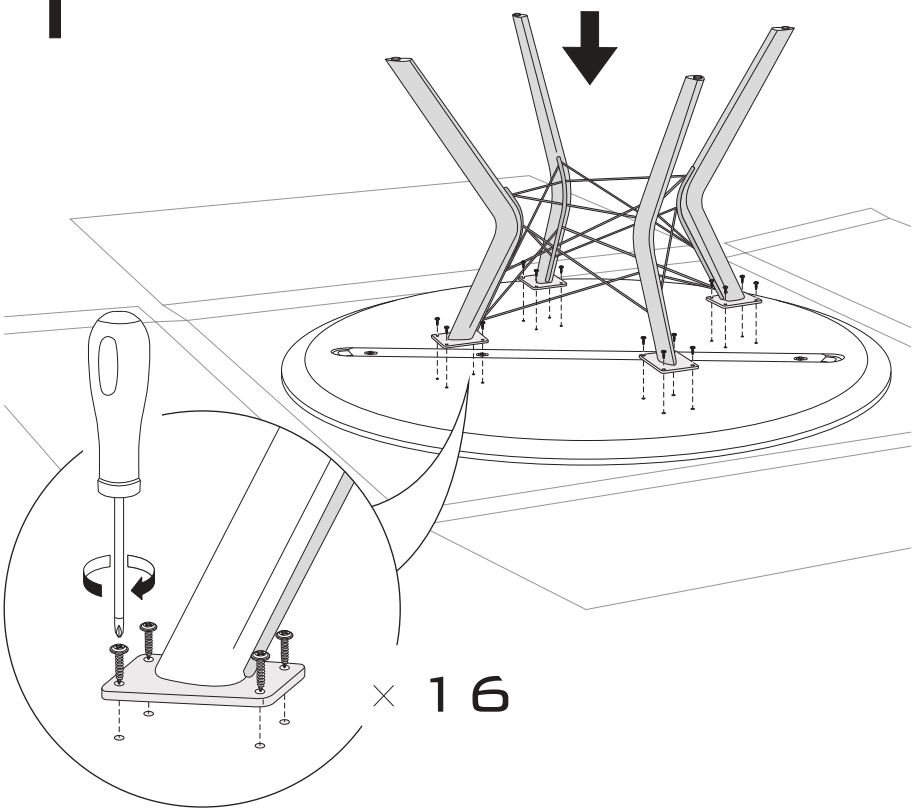
# möbitec

eclipse tables family





1



2

