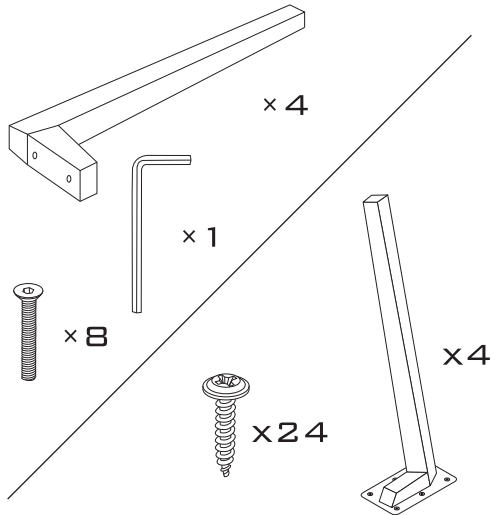
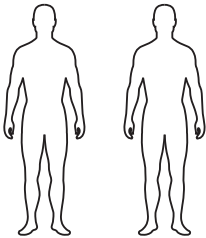
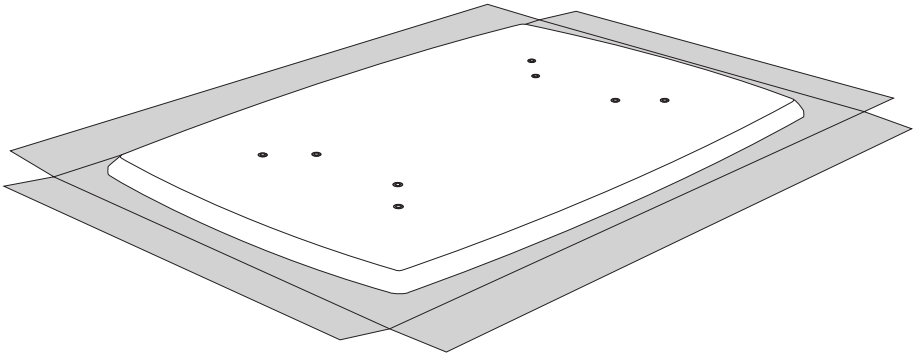
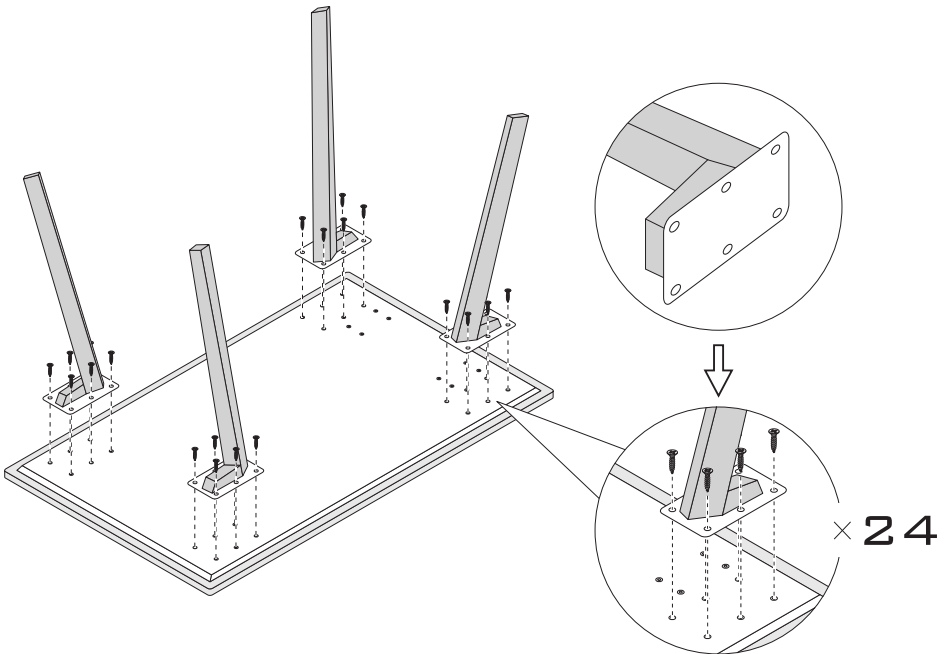
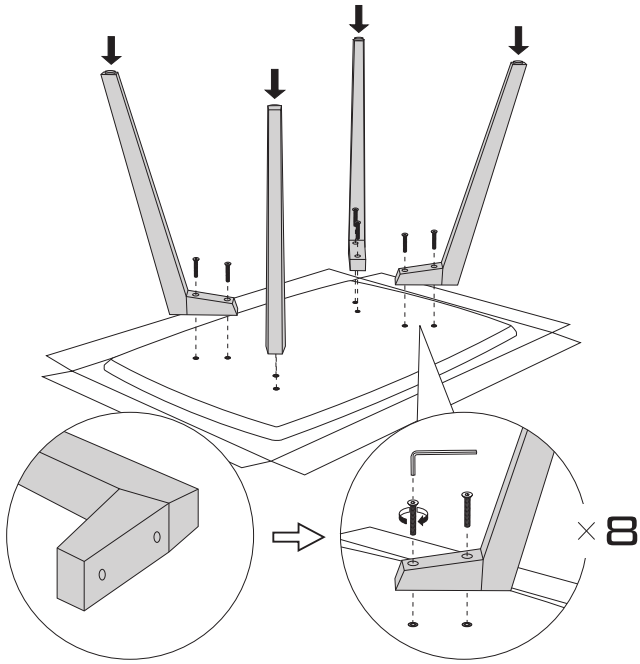


# MOODS

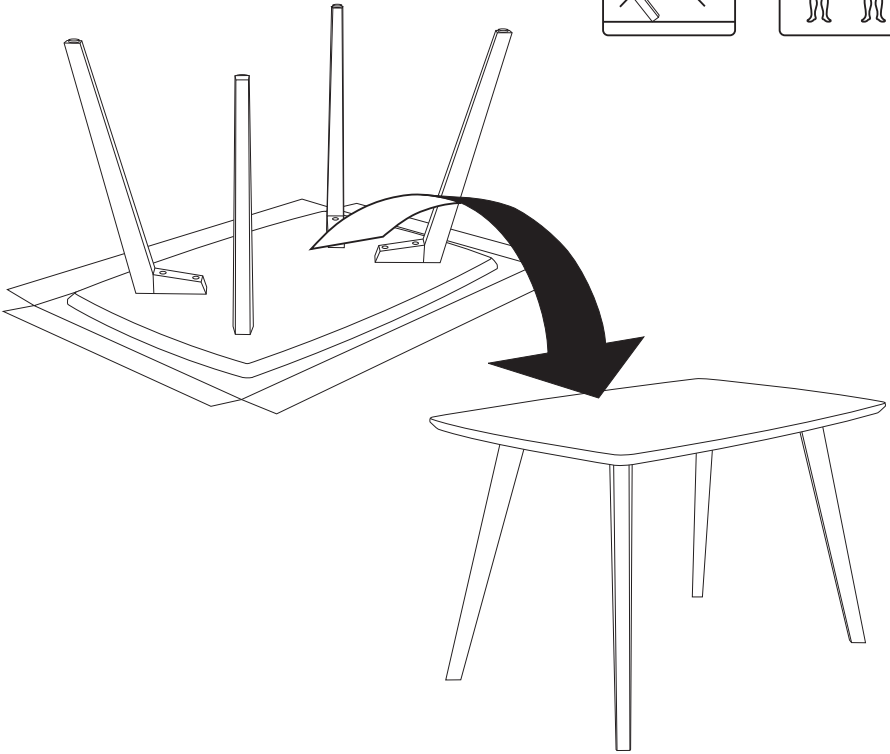
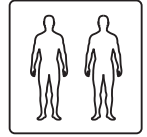
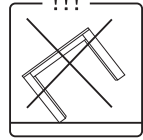




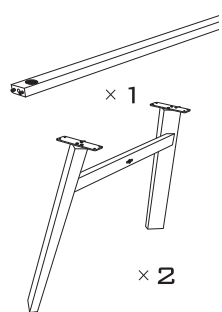
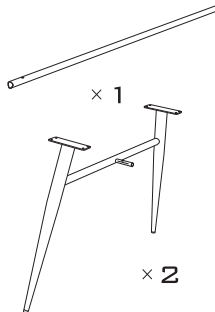
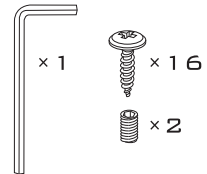
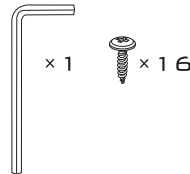
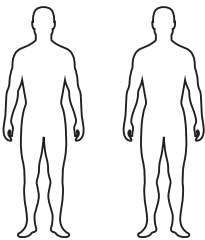
1

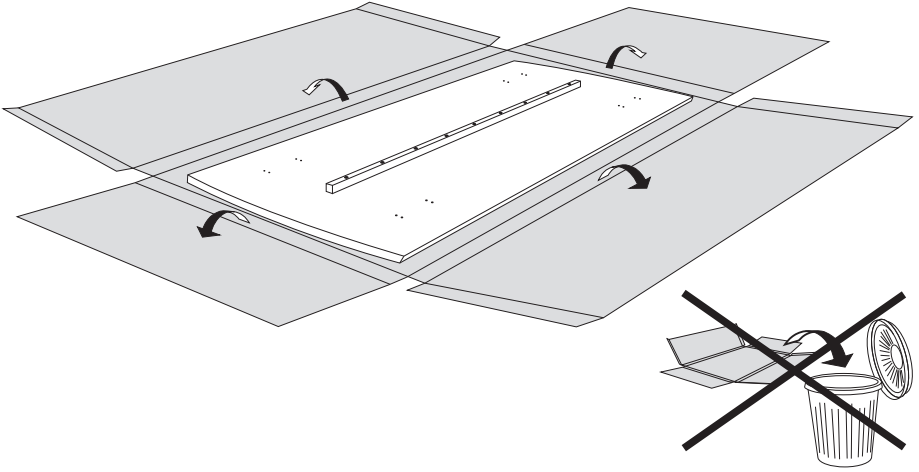


2

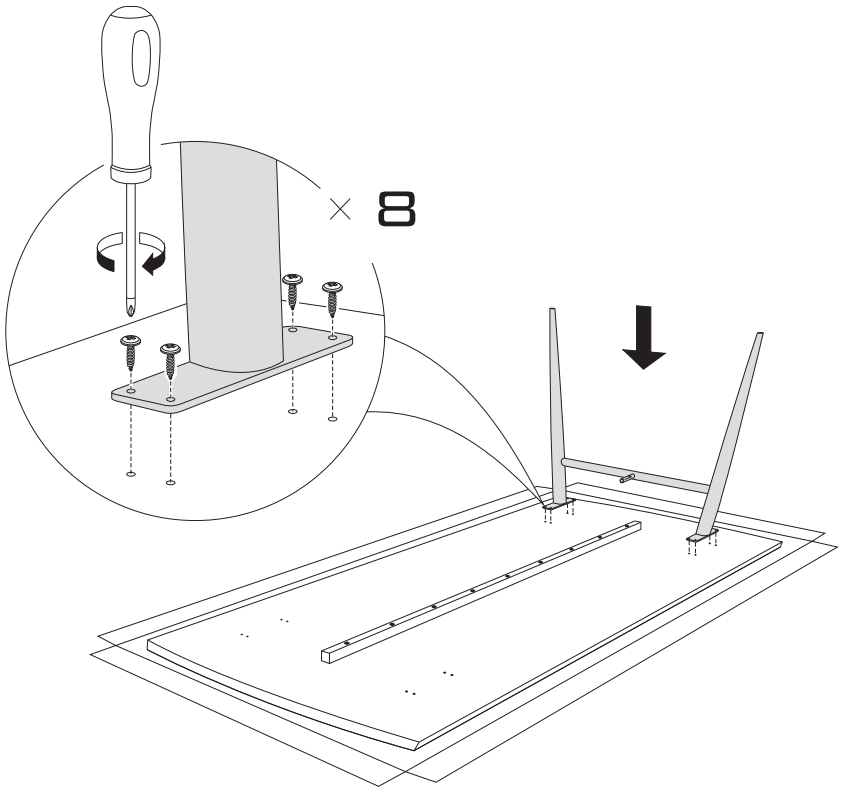


# MOODS

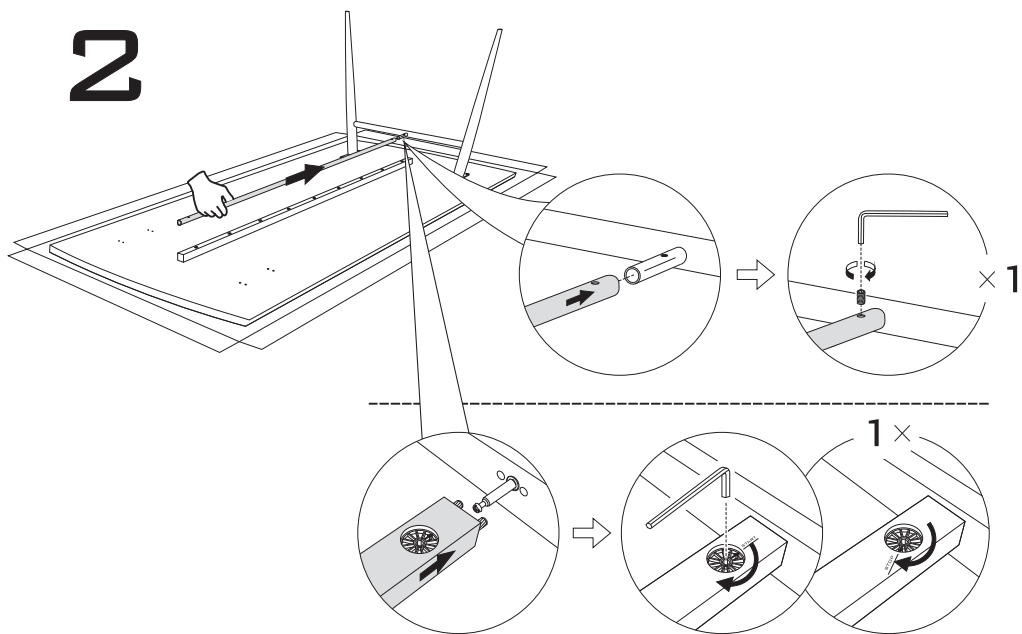




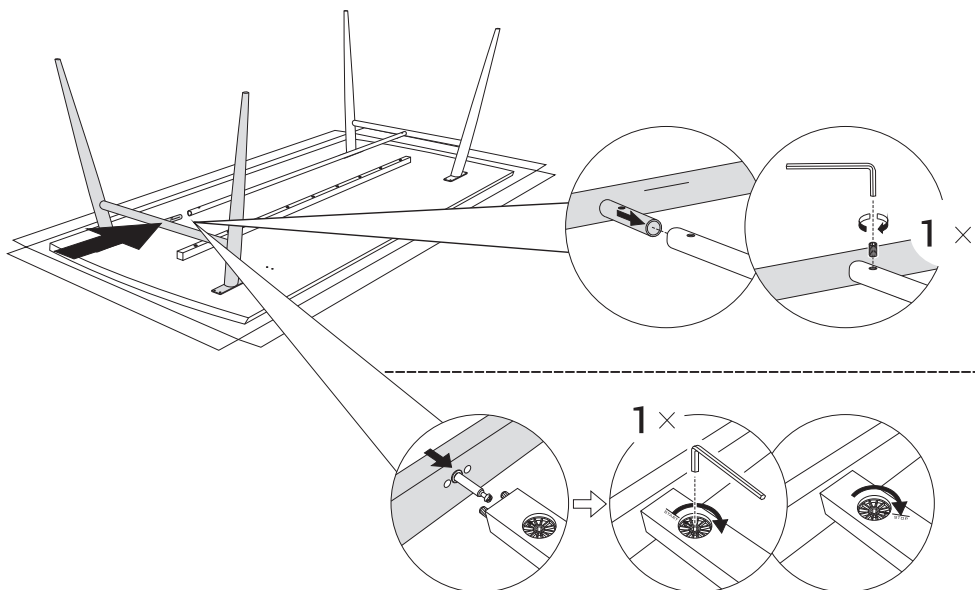
1



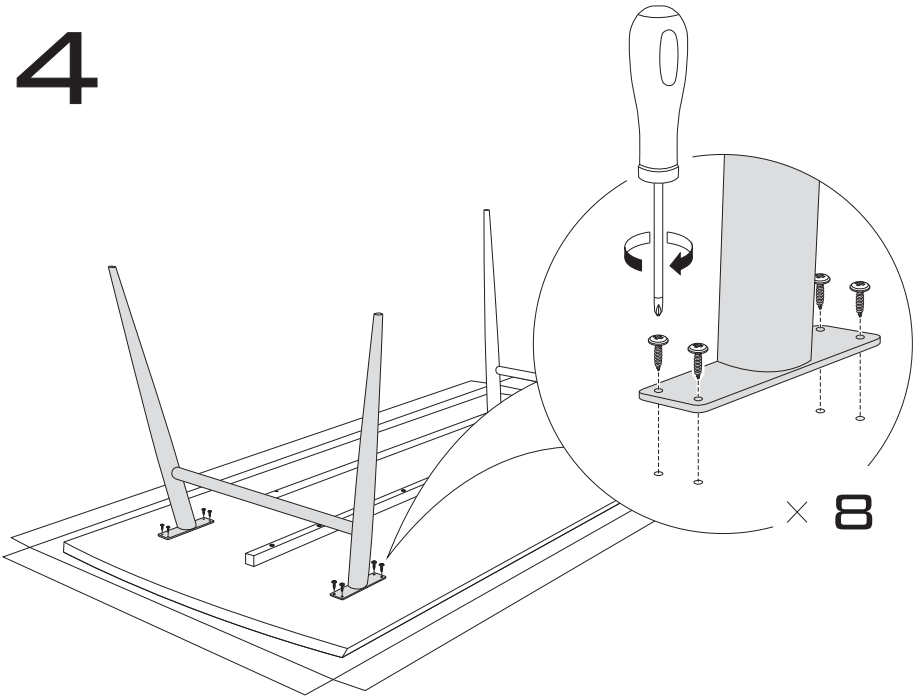
# 2



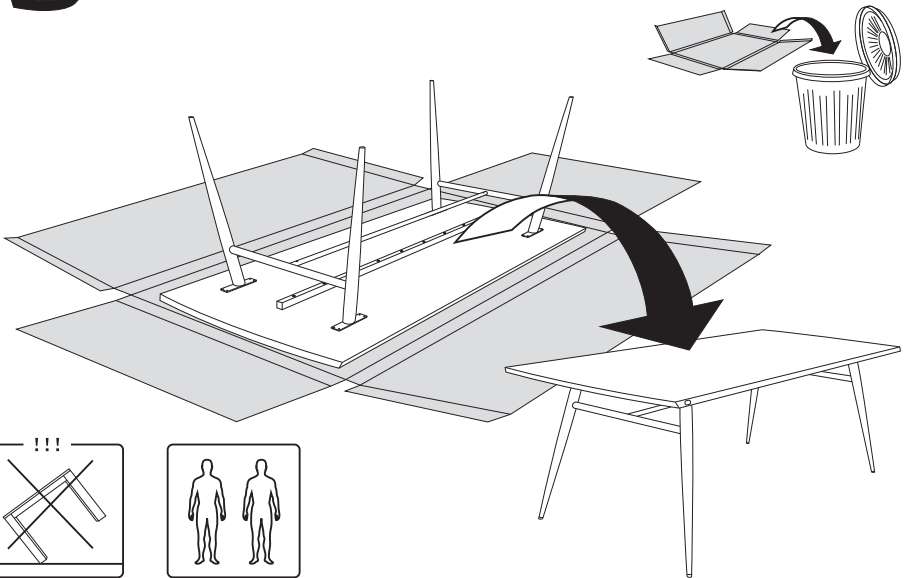
# 3



# 4

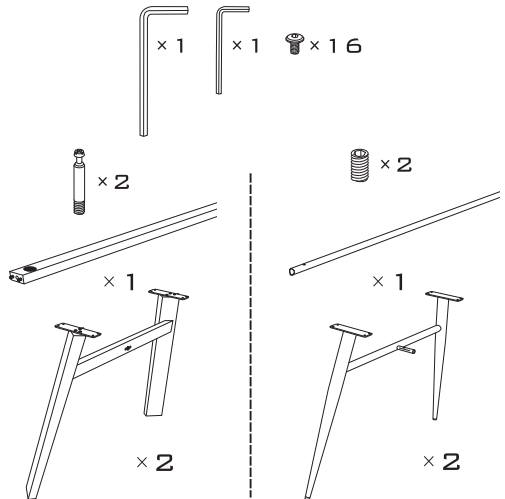
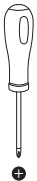
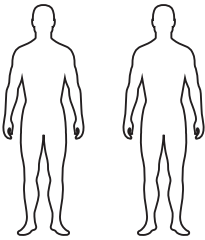


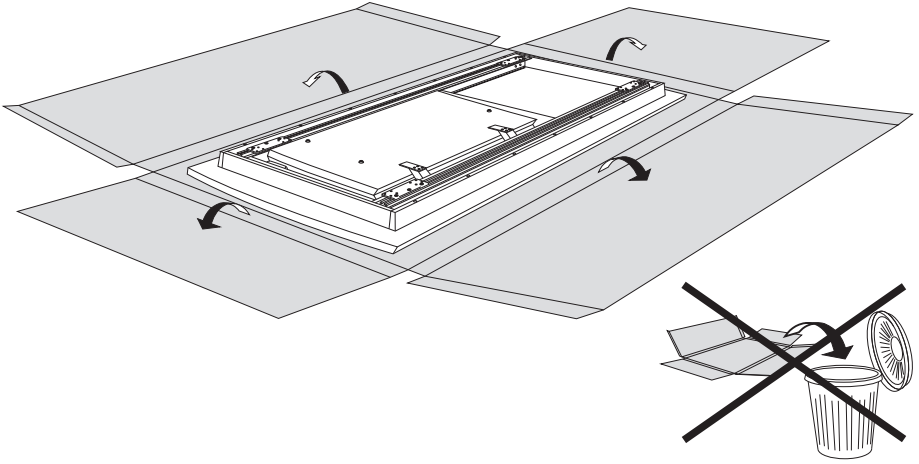
# 5



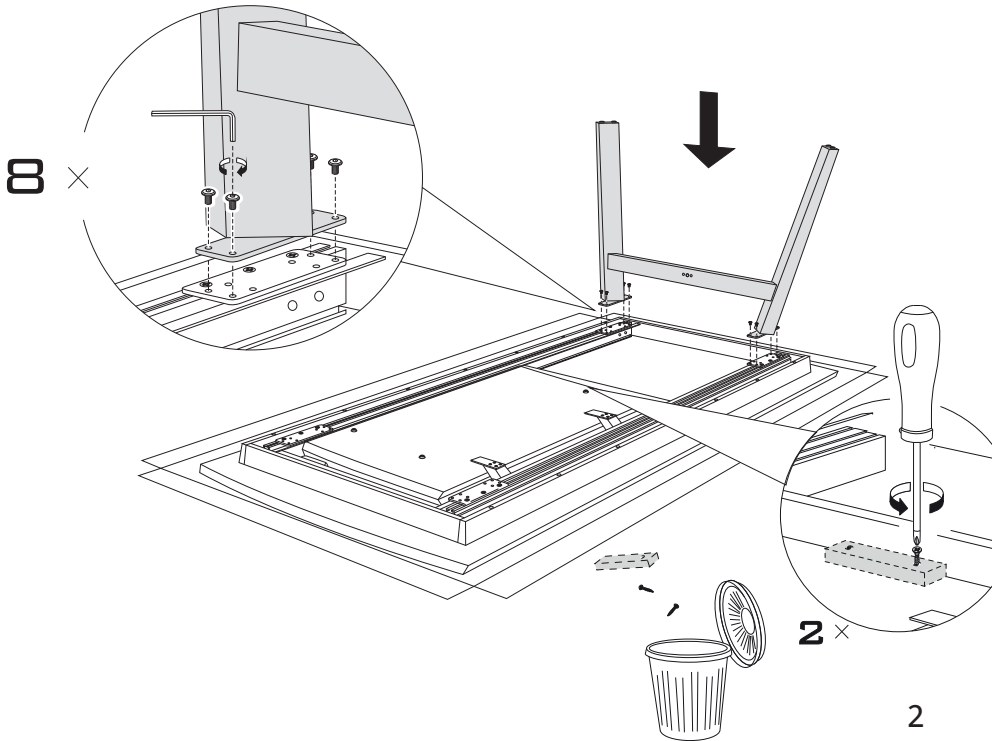


# MOODS

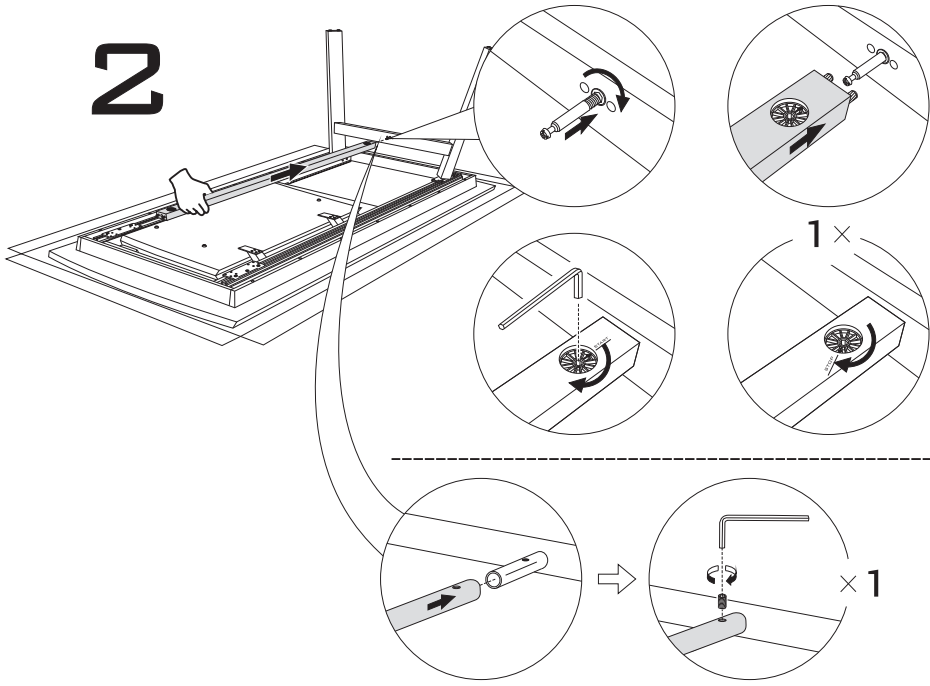




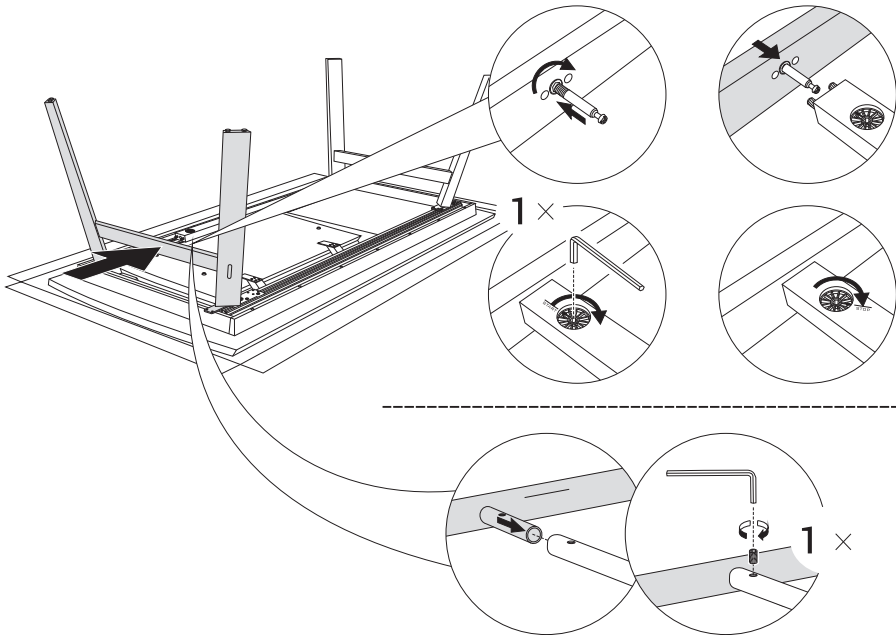
1



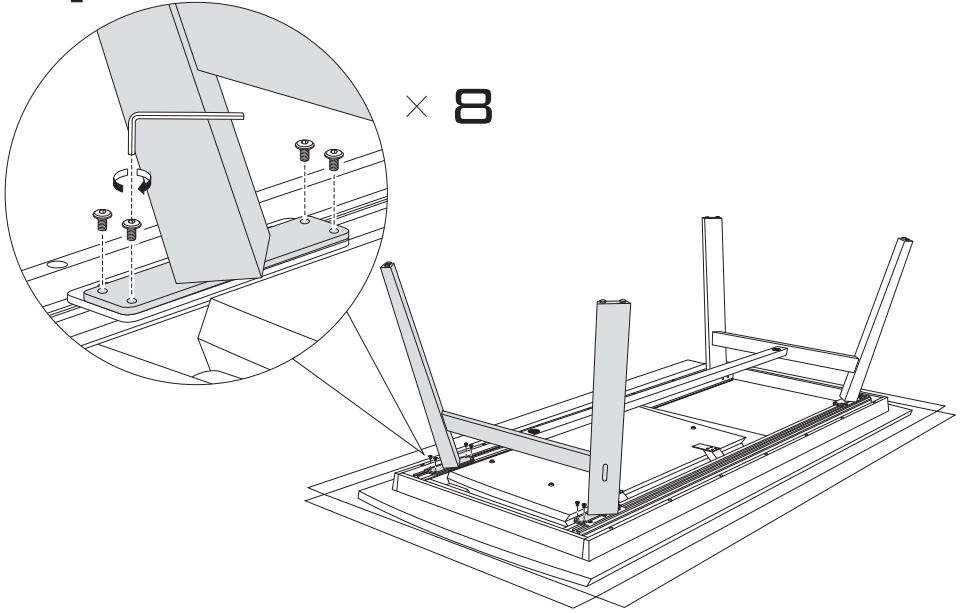
# 2



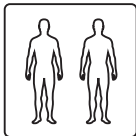
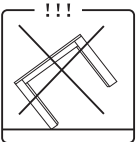
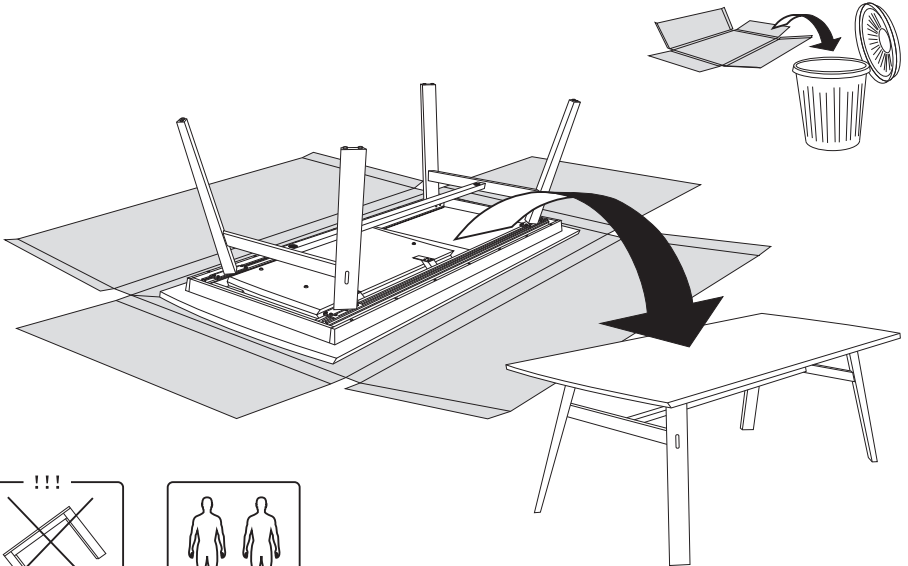
# 3



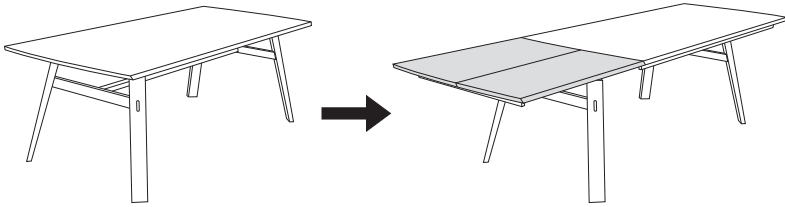
# 4



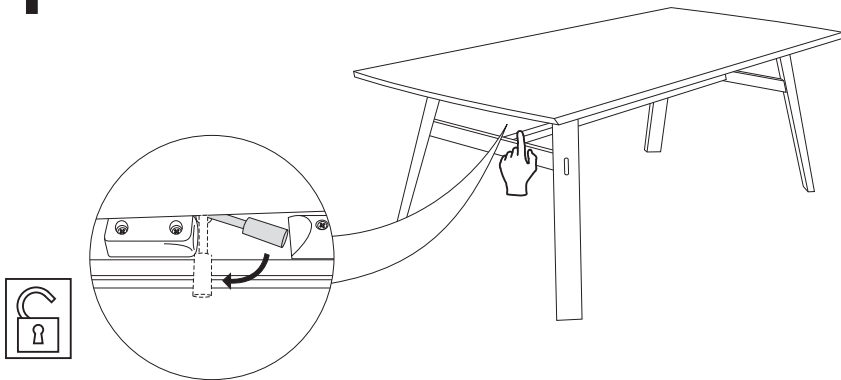
# 5



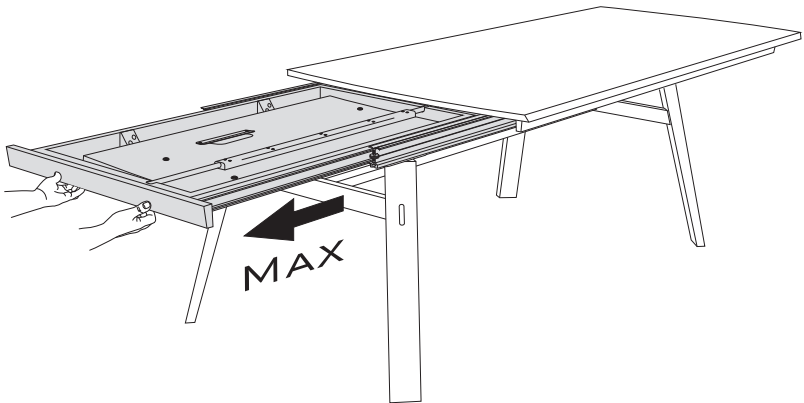
**i**



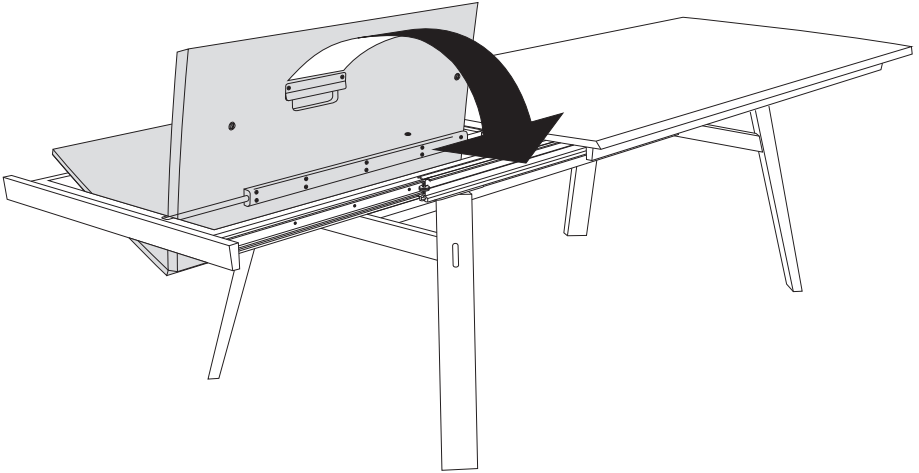
**1**



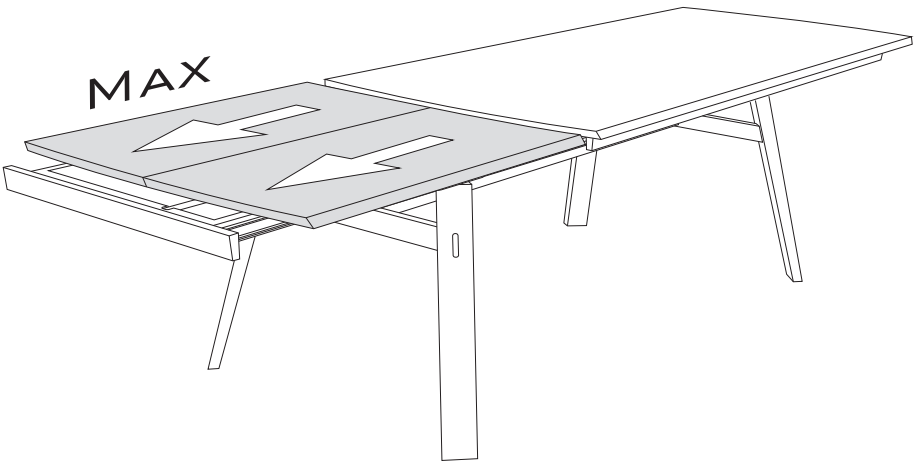
**2**



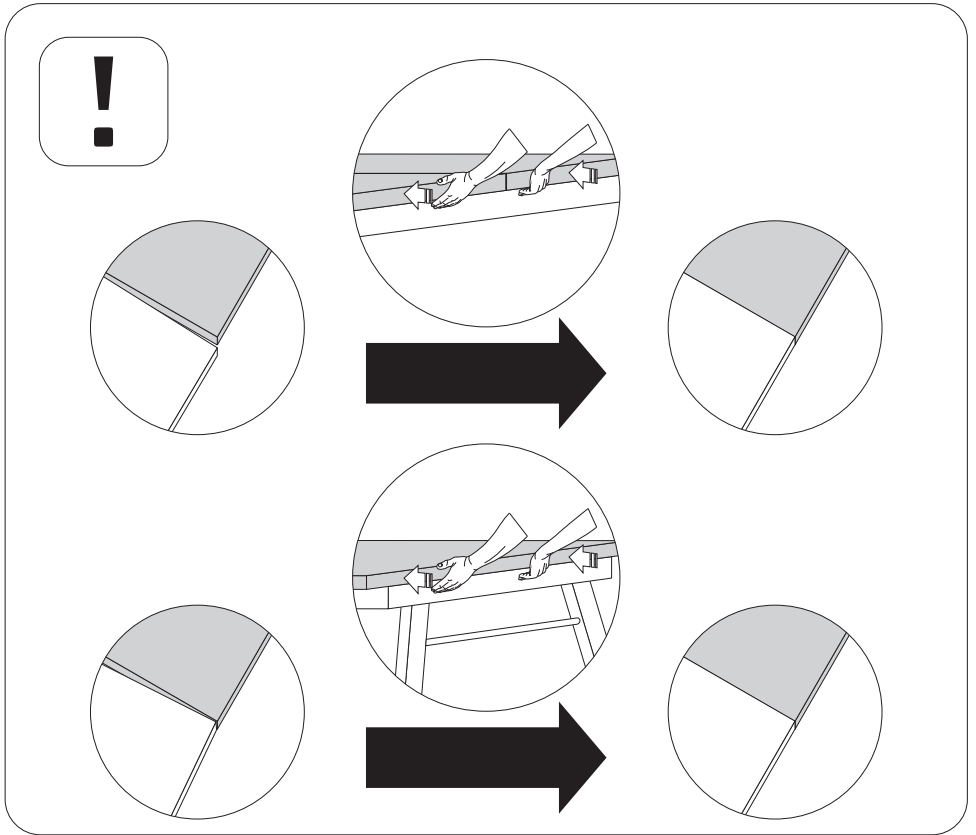
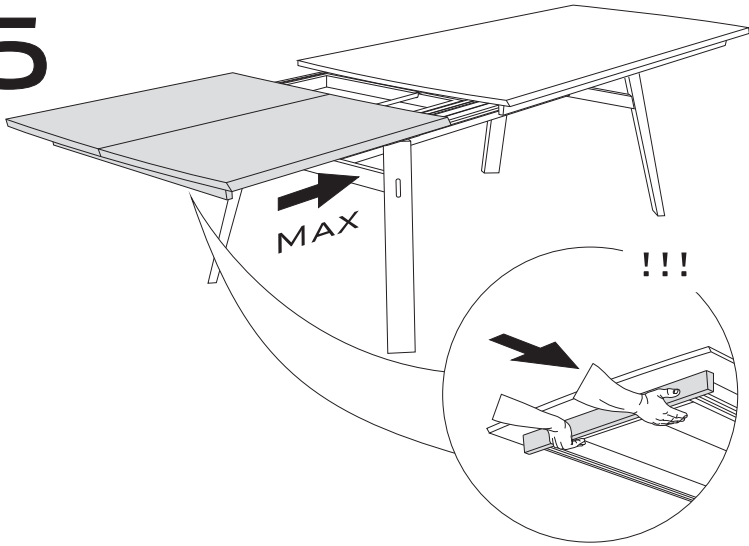
3



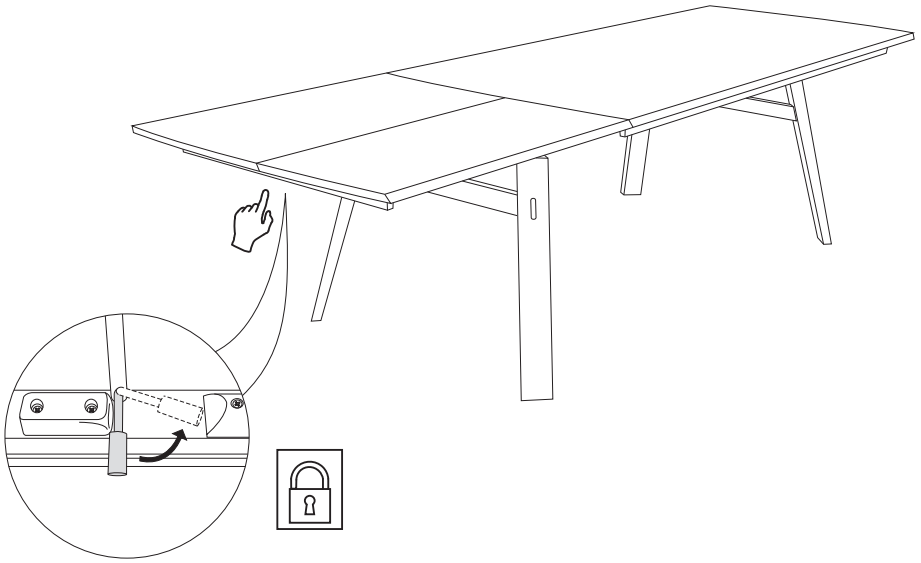
4



# 5

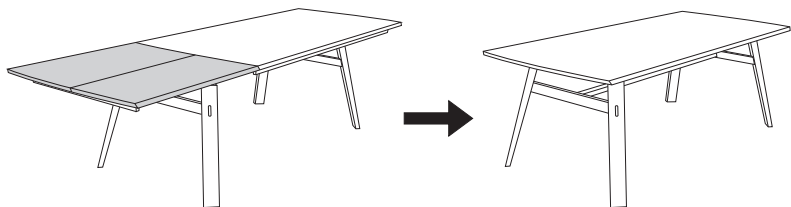


# 6

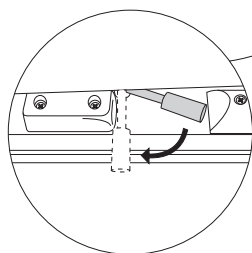
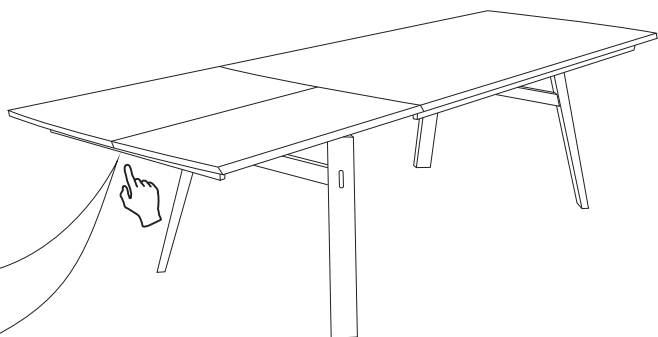




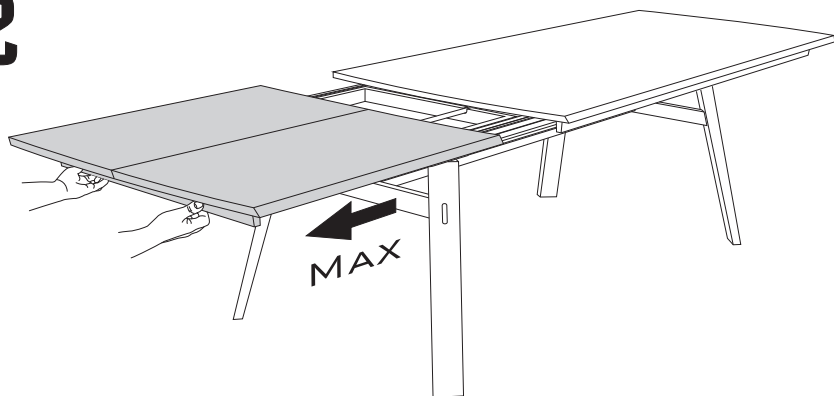
i



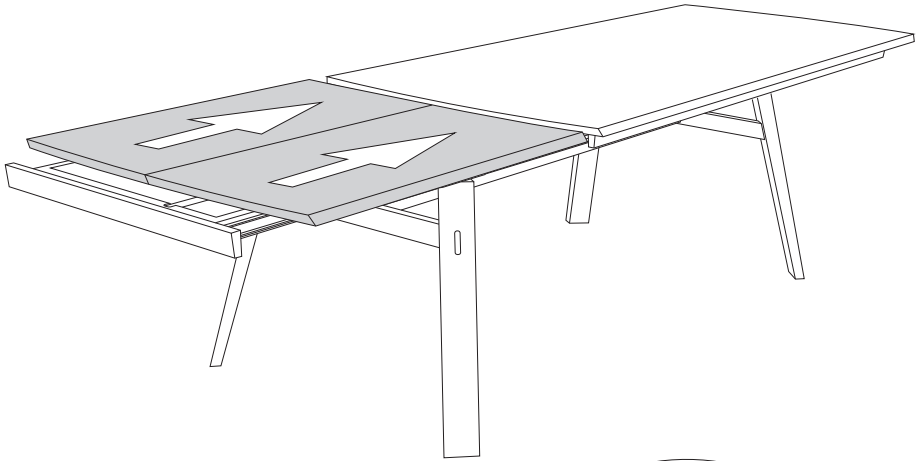
1



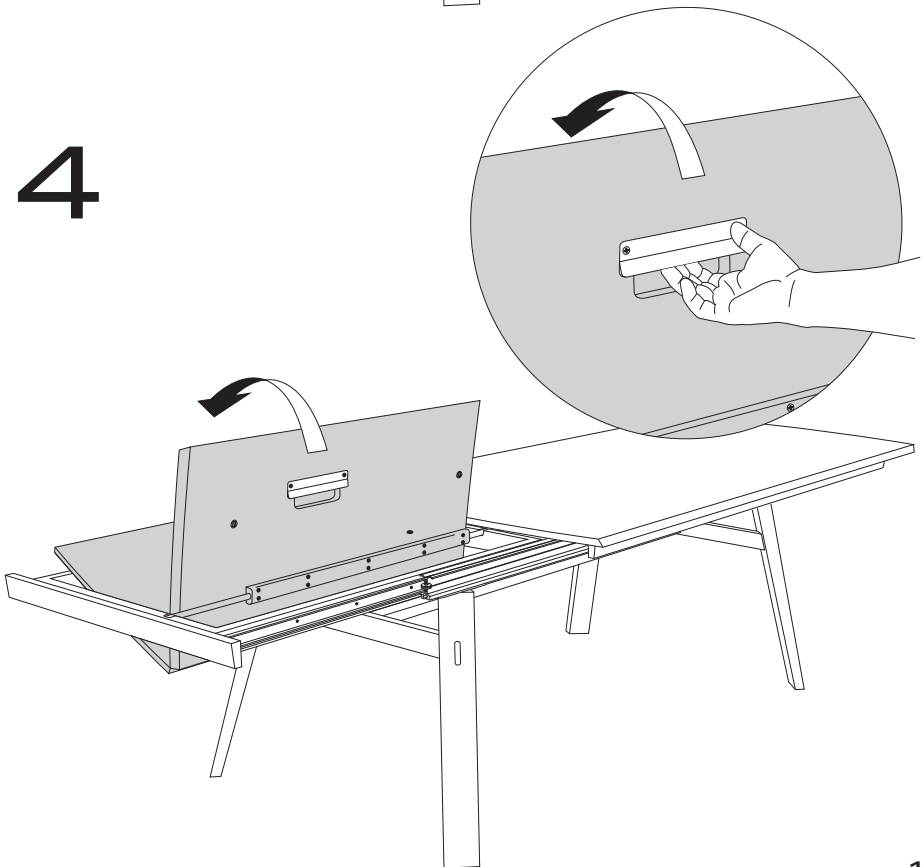
2



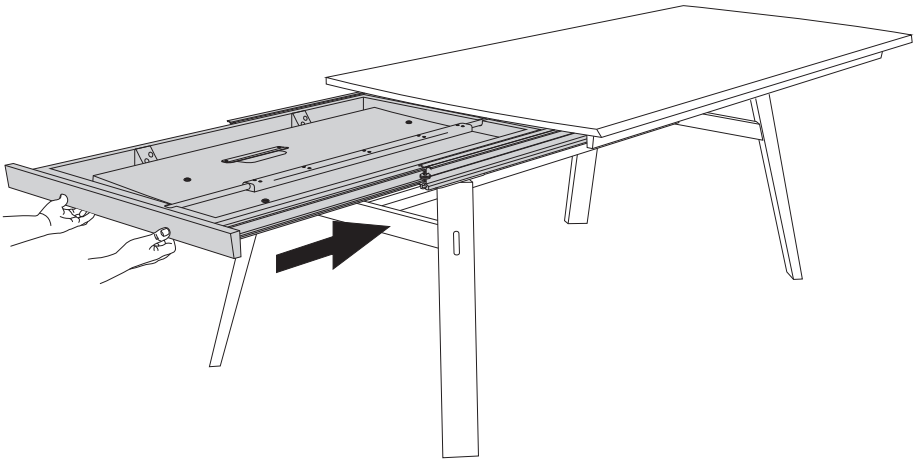
3



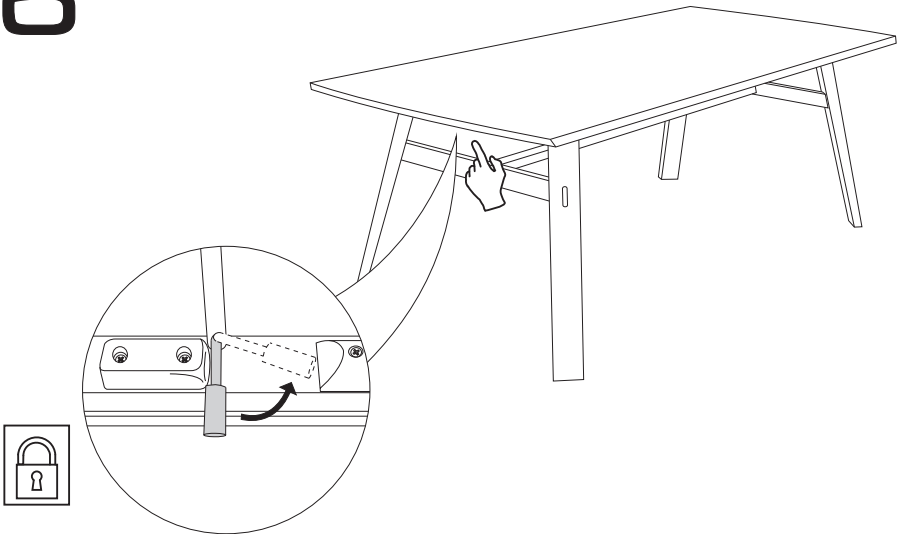
4



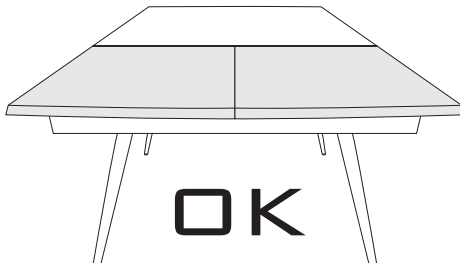
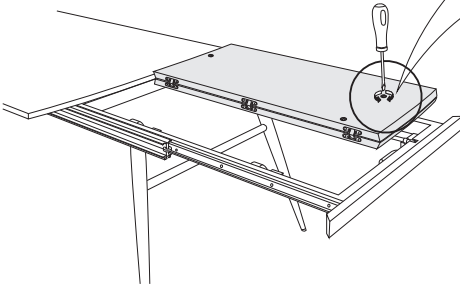
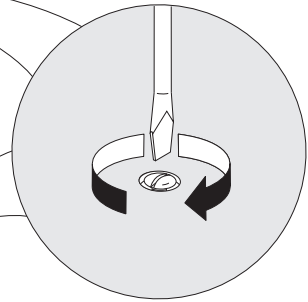
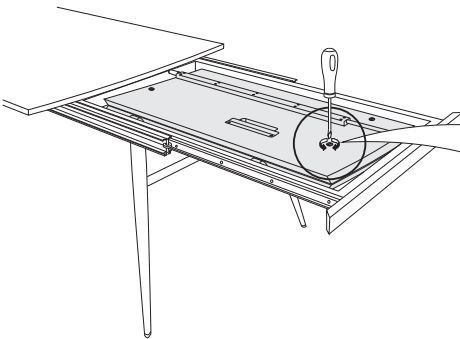
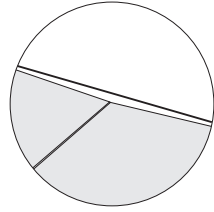
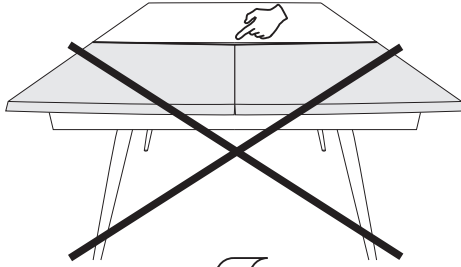
# 5



# 6

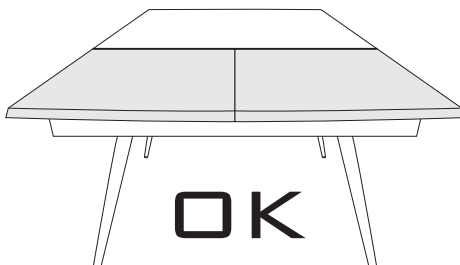
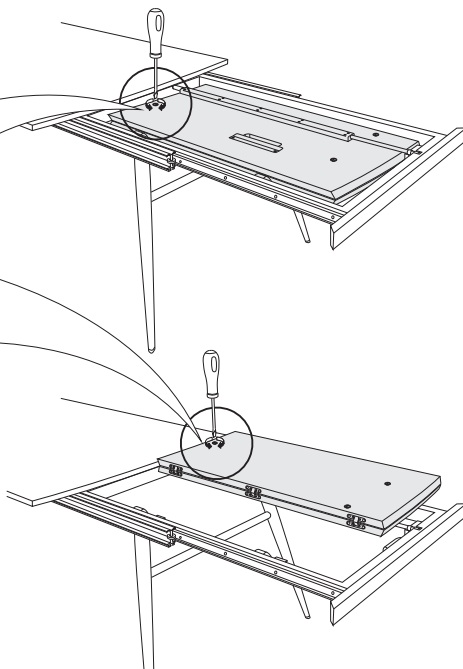
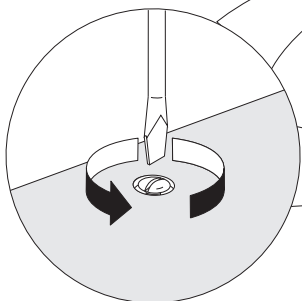
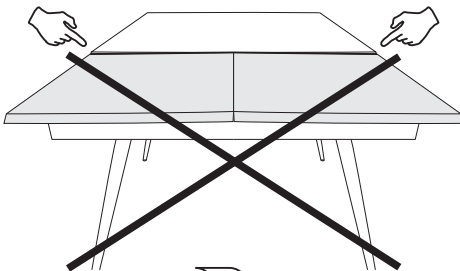
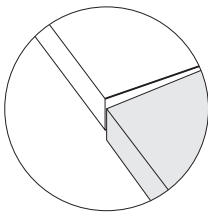


i

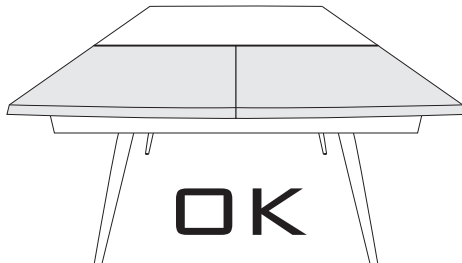
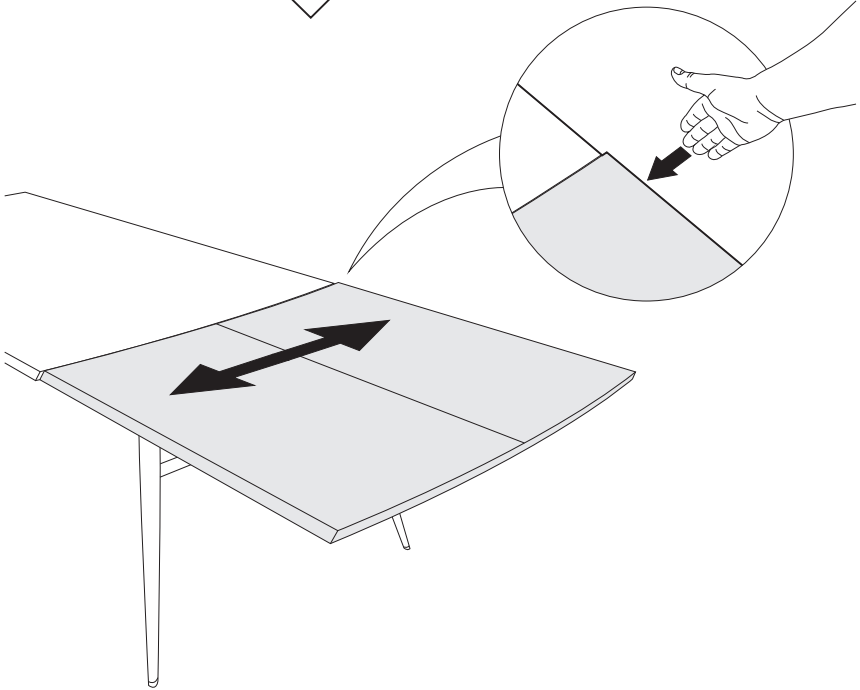
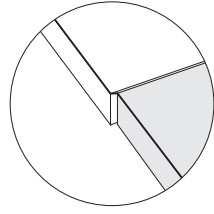
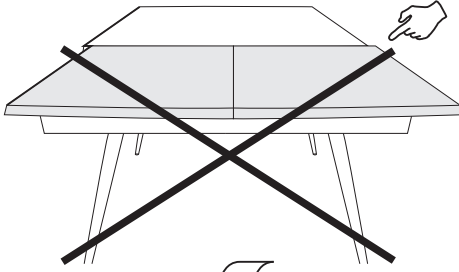


OK

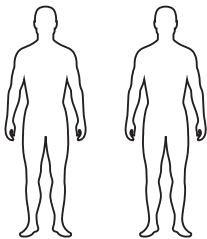
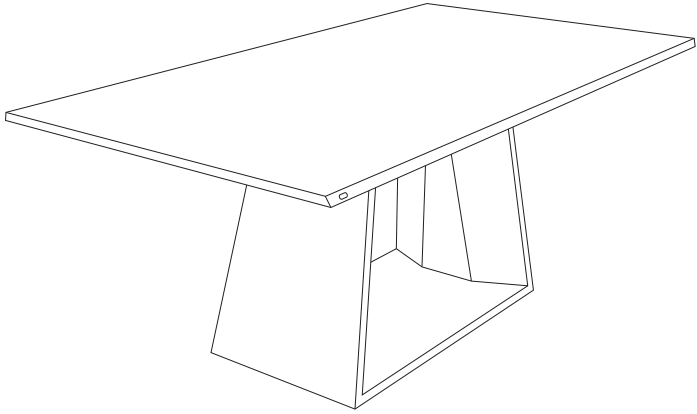
i



i



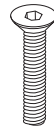
# MOODS



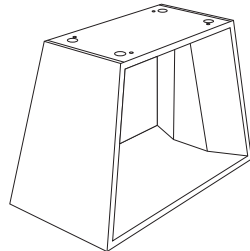
MS CB FIX



× 1

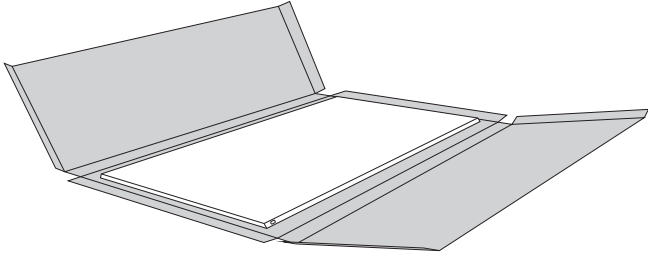


× 4

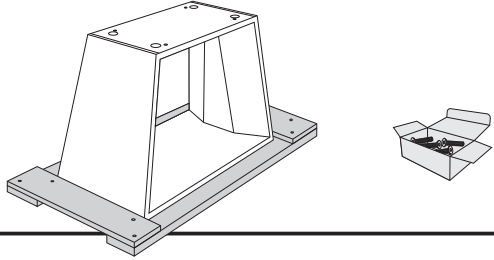


× 1

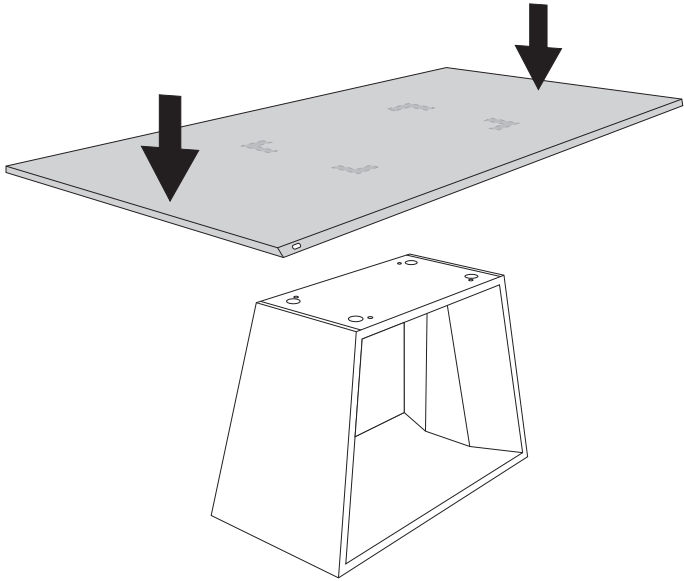
1



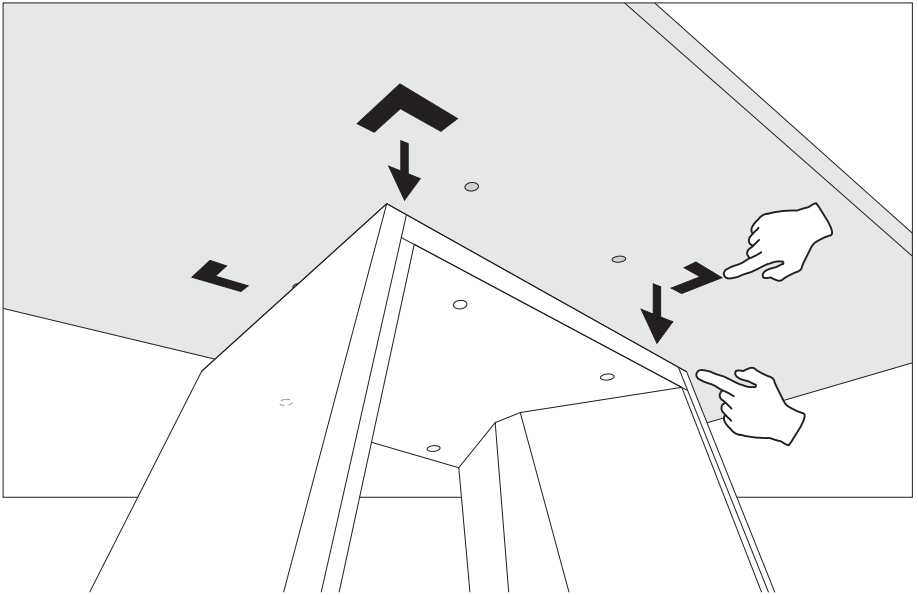
2



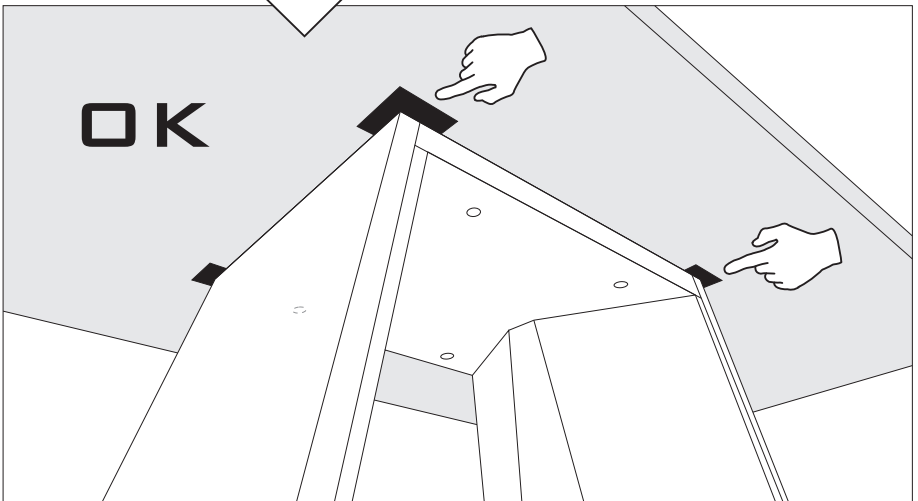
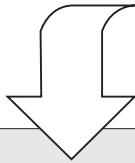
1

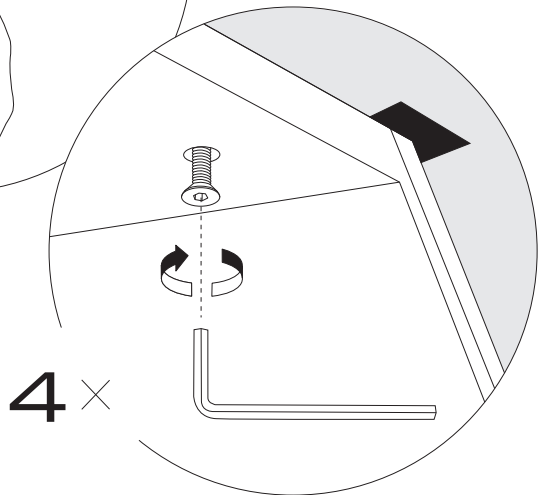
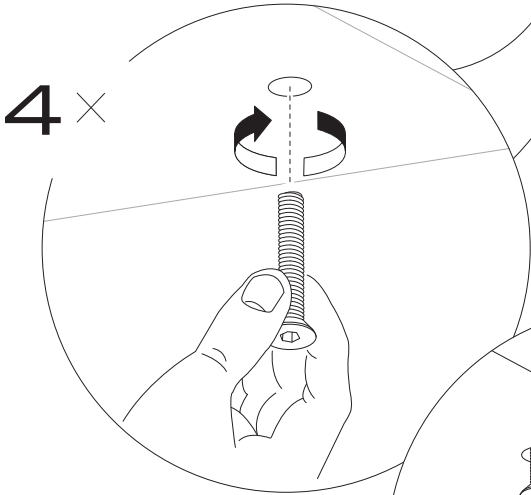
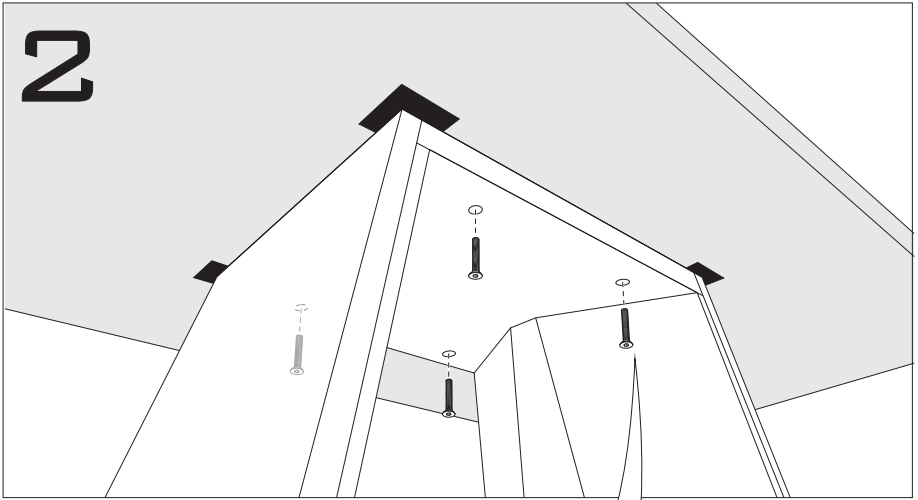




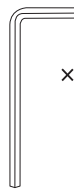
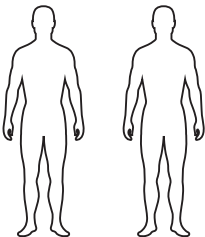
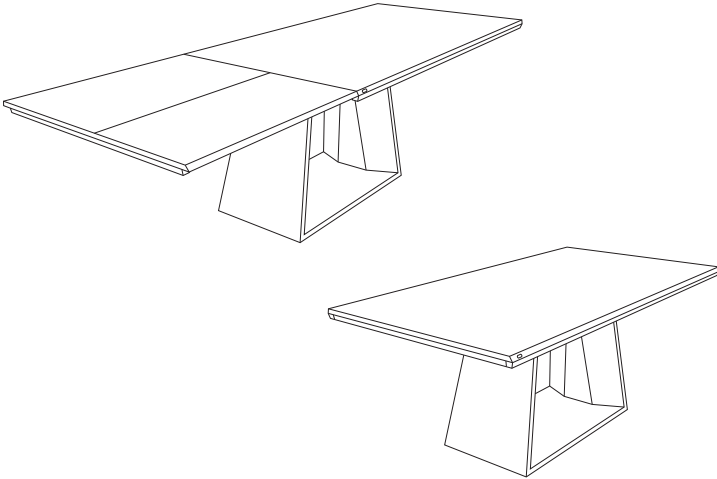


!!!





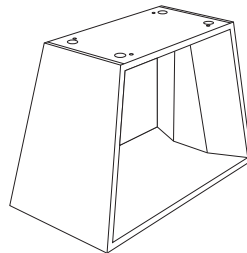
# MOODS



× 1

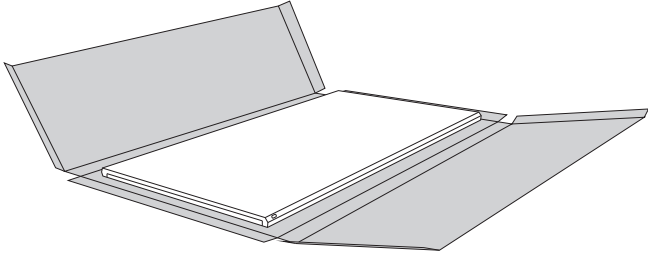


× 4

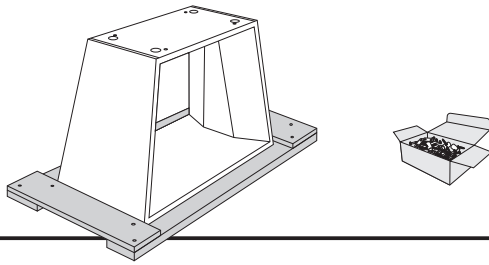


× 1

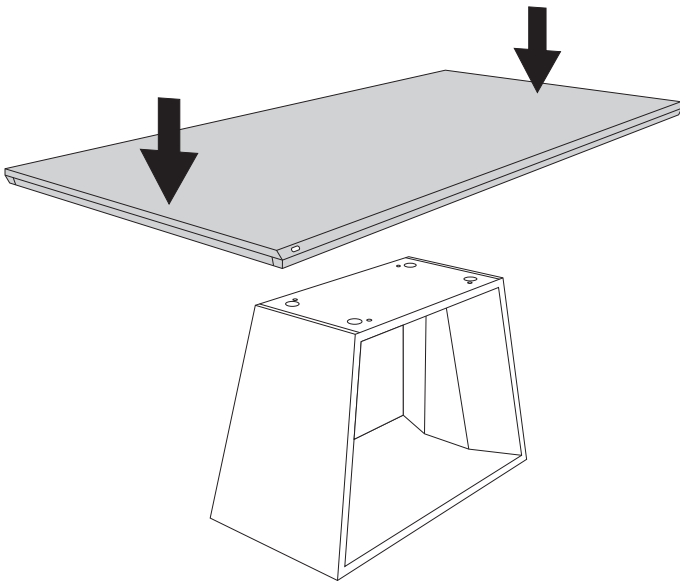
1

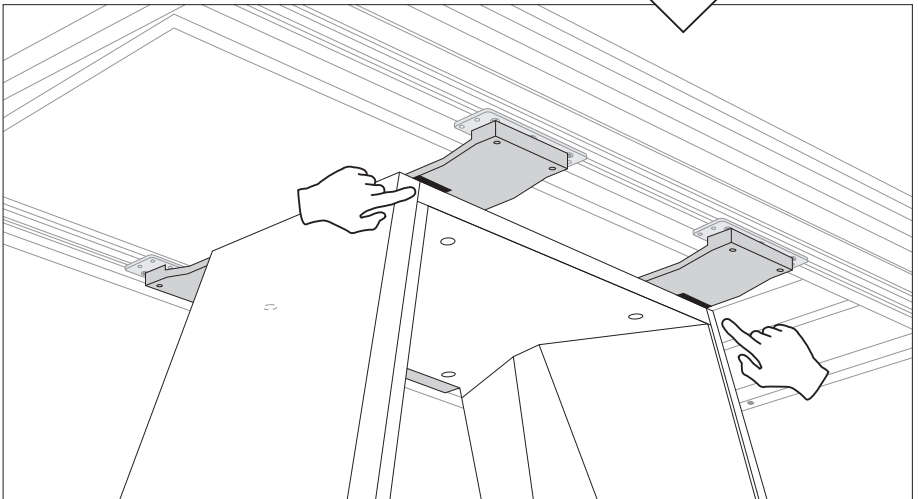
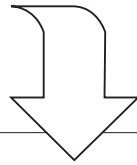
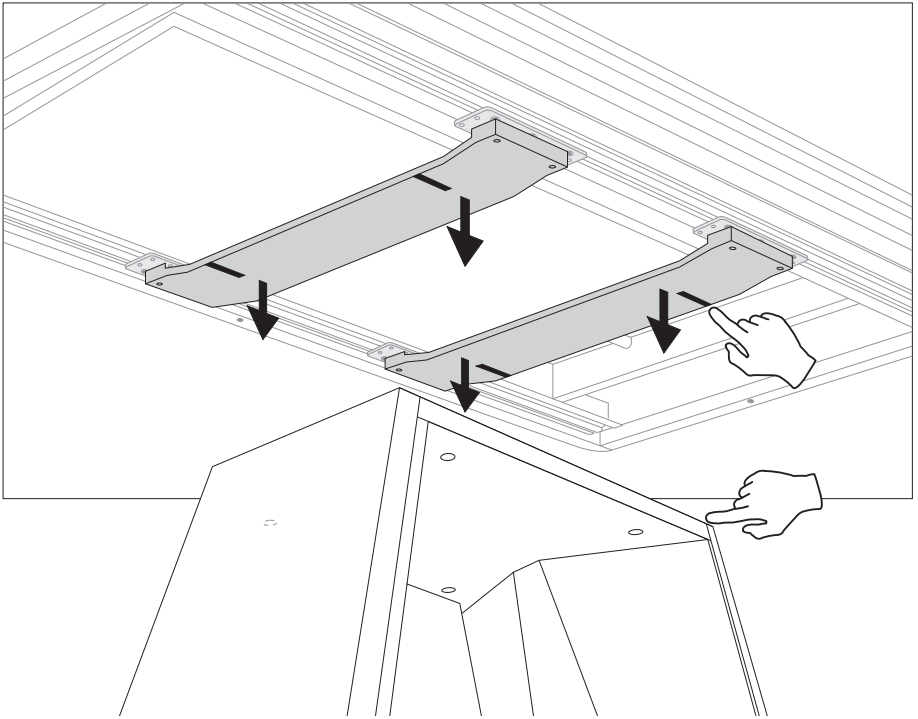


2

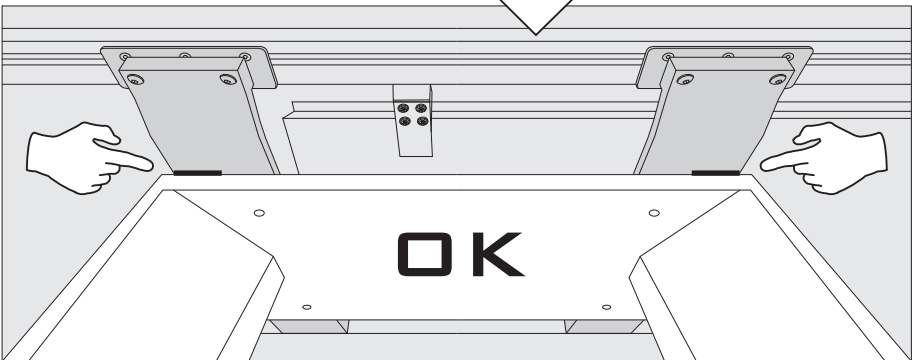
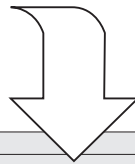
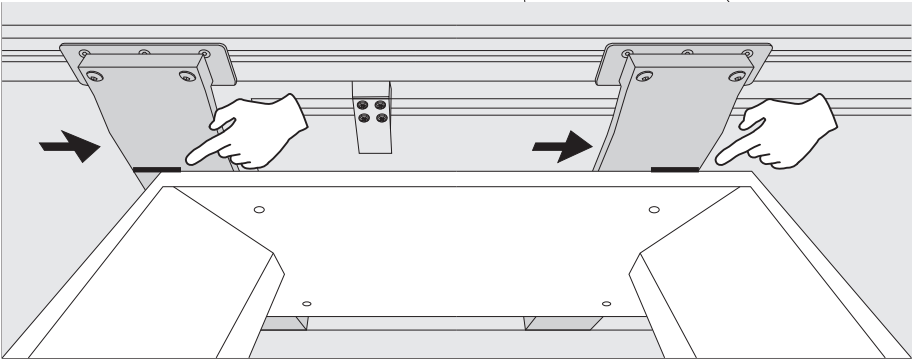
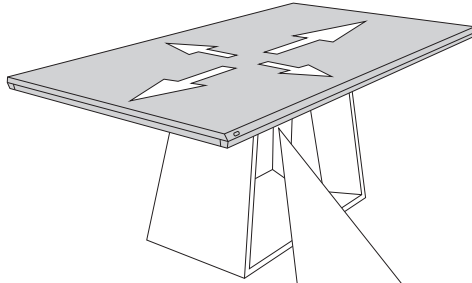


1

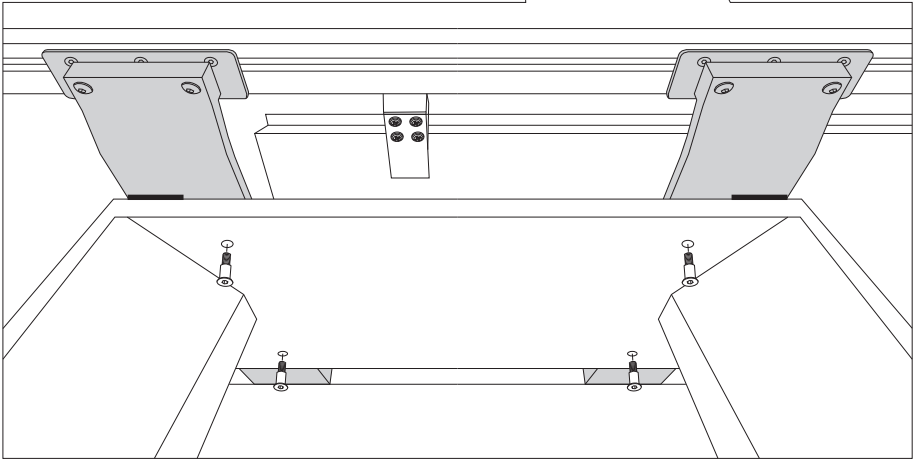
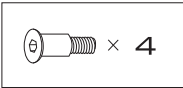
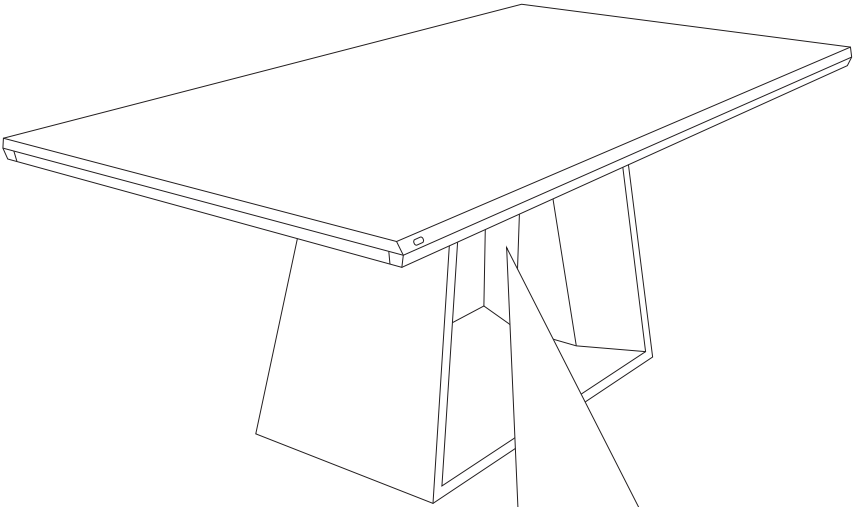




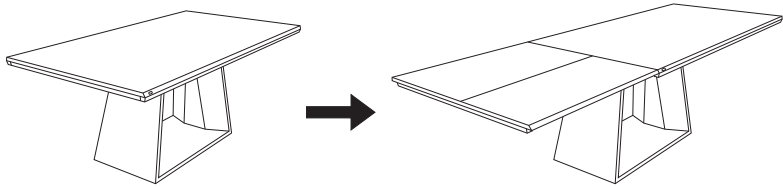
2



# 3



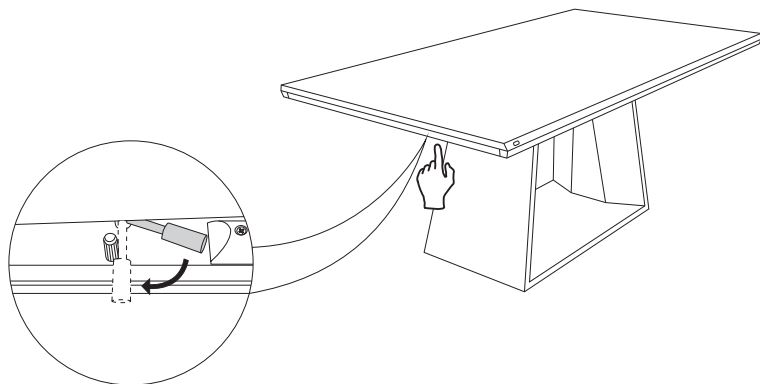
i



<https://vimeo.com/264011771>

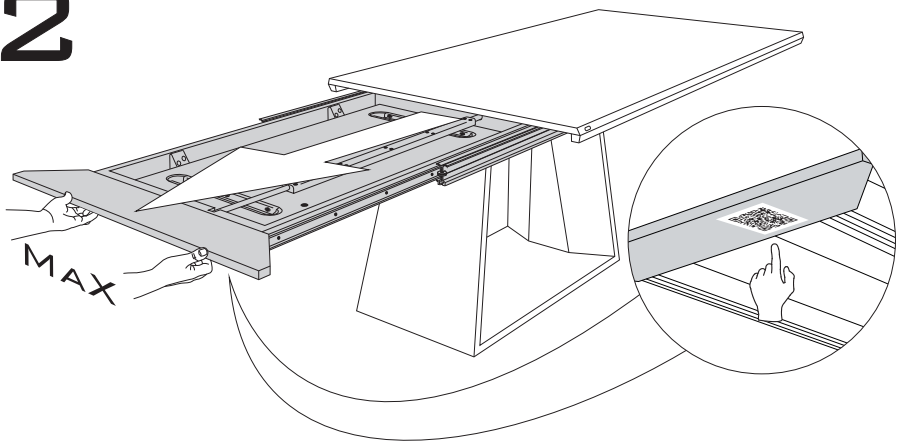


1

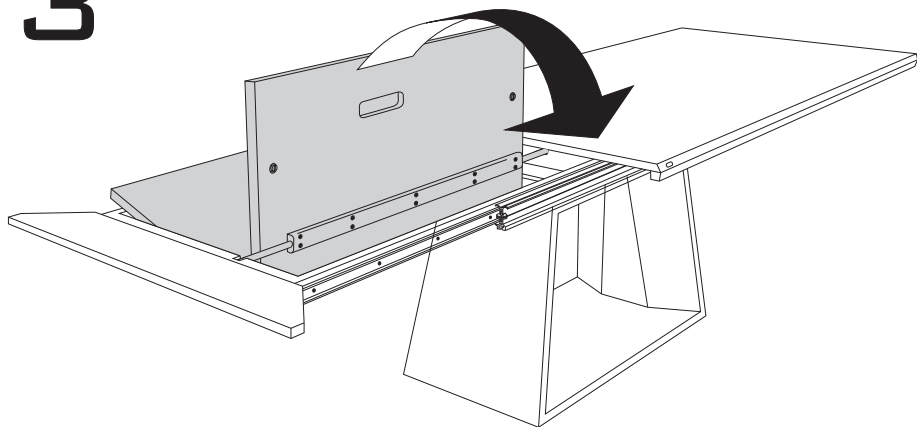




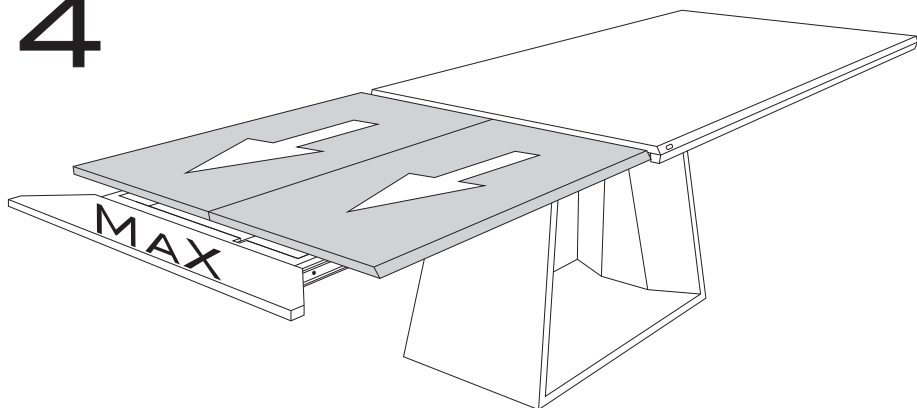
# 2



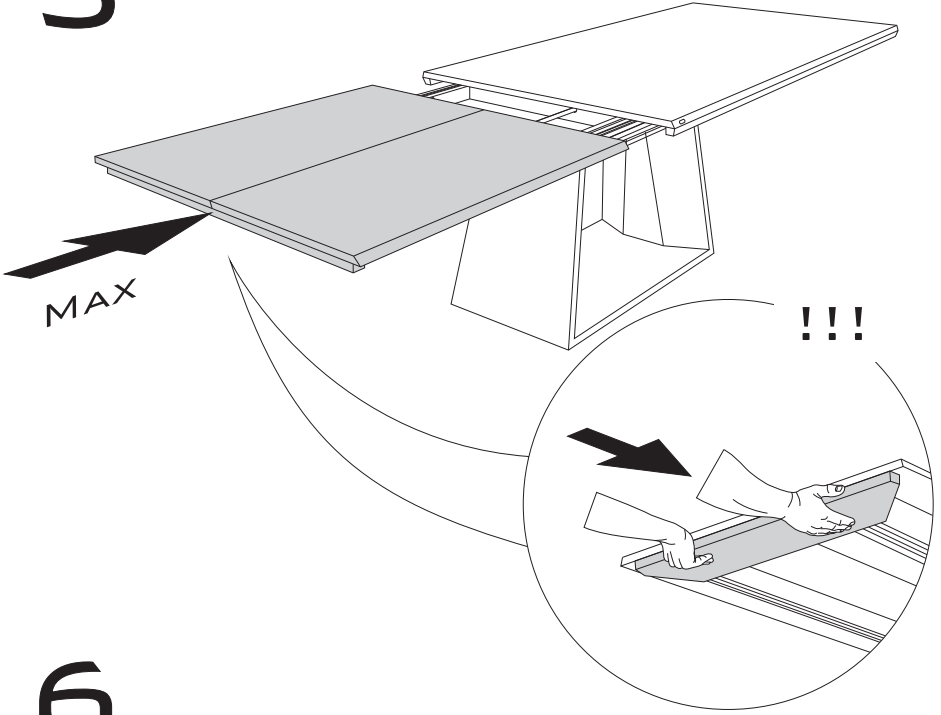
# 3



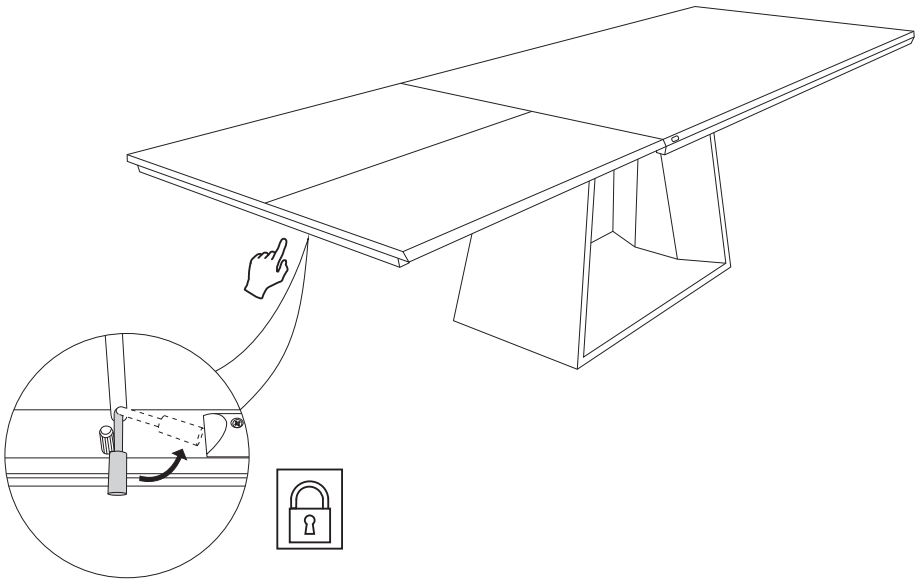
# 4



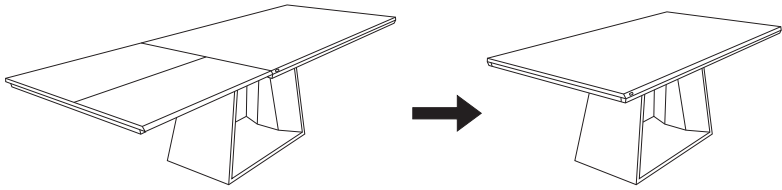
# 5



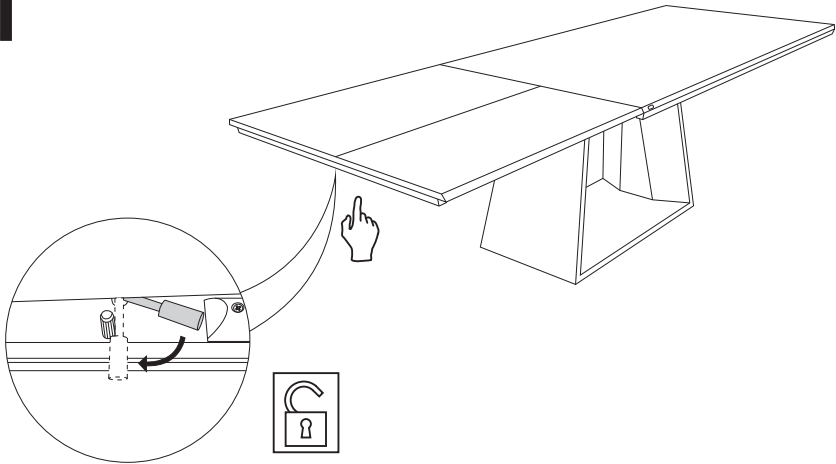
# 6



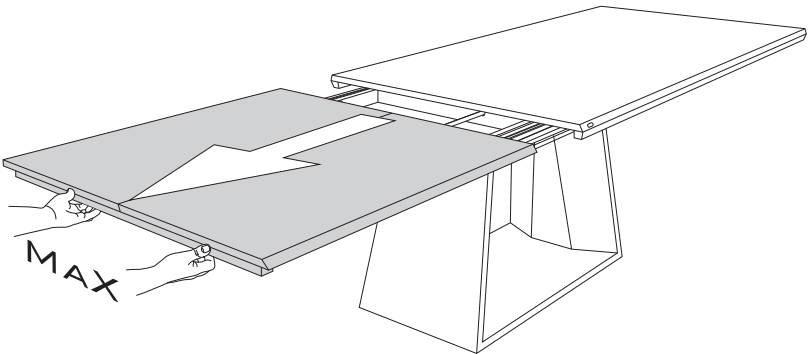
i



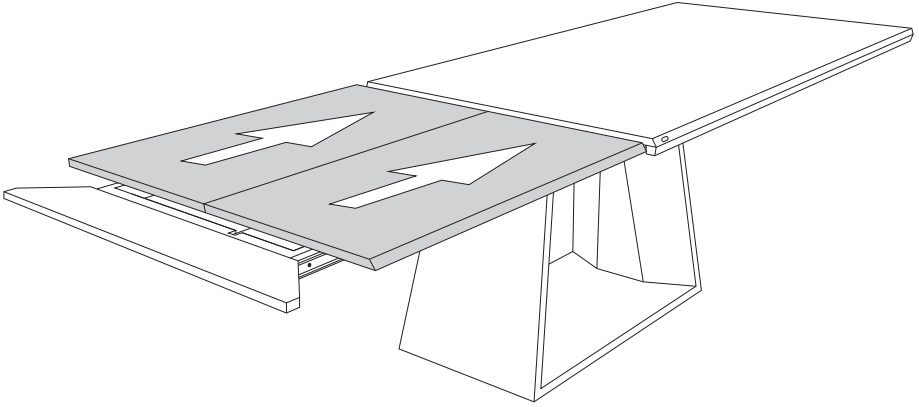
1



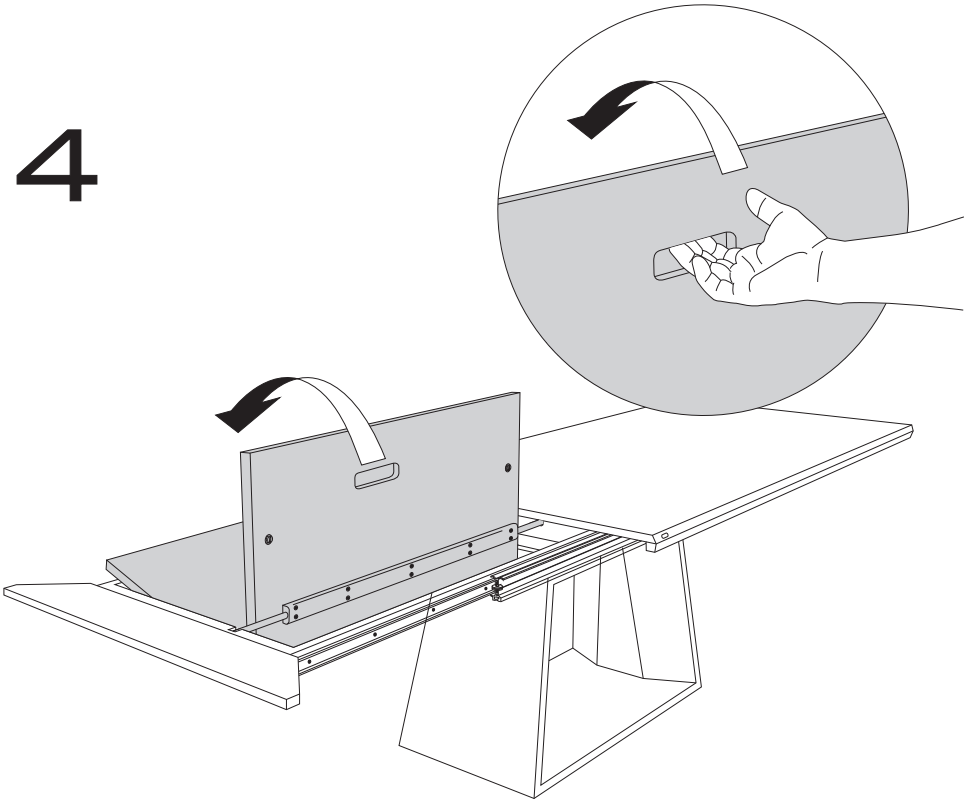
2



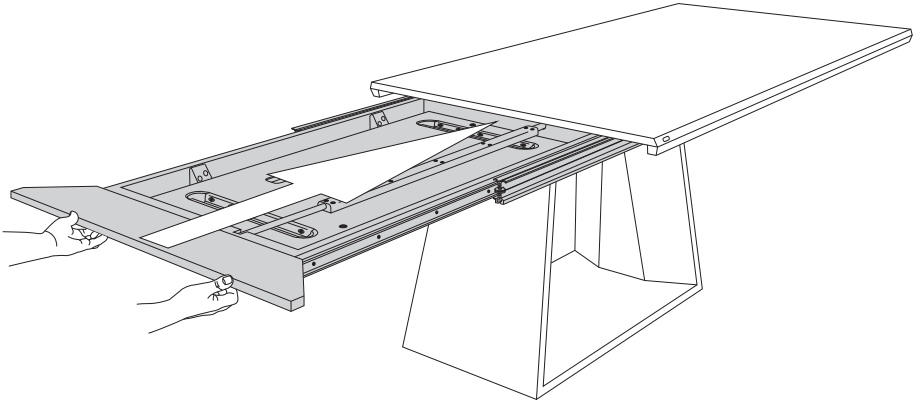
3



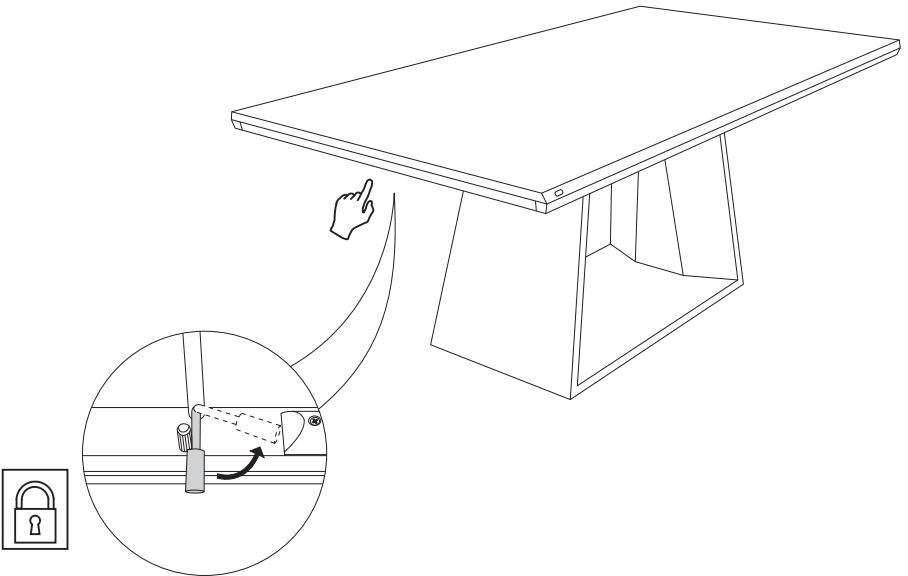
4



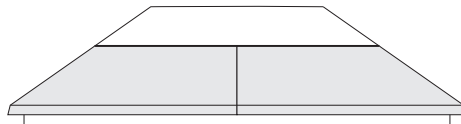
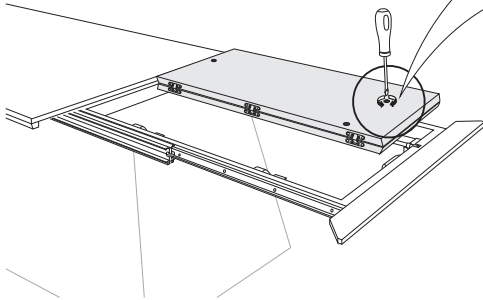
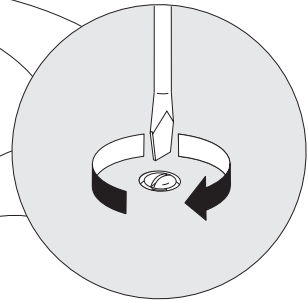
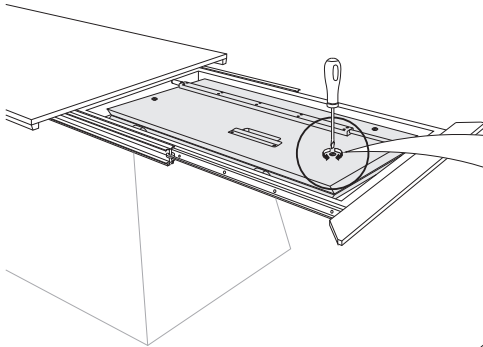
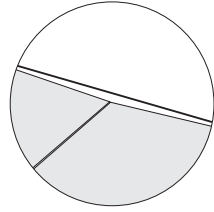
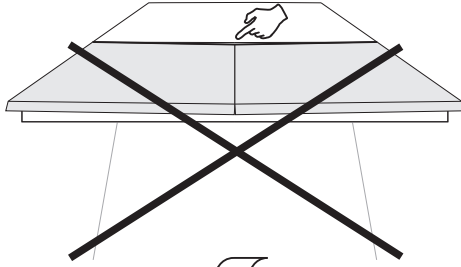
# 5



# 6

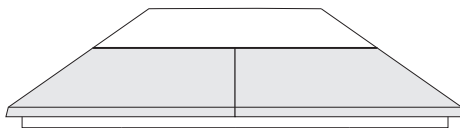
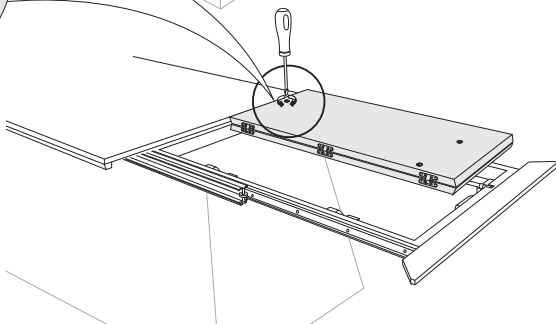
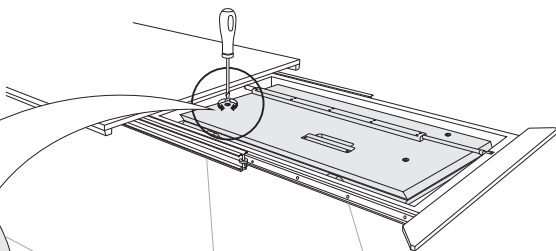
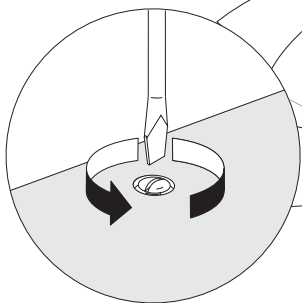
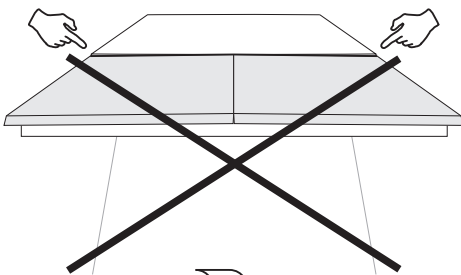
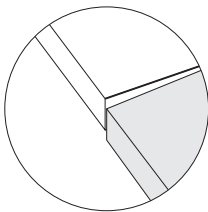


i



OK

i



OK